

11.6" Windows Rugged Tablet with Intel® Core™ i Processor

Overview

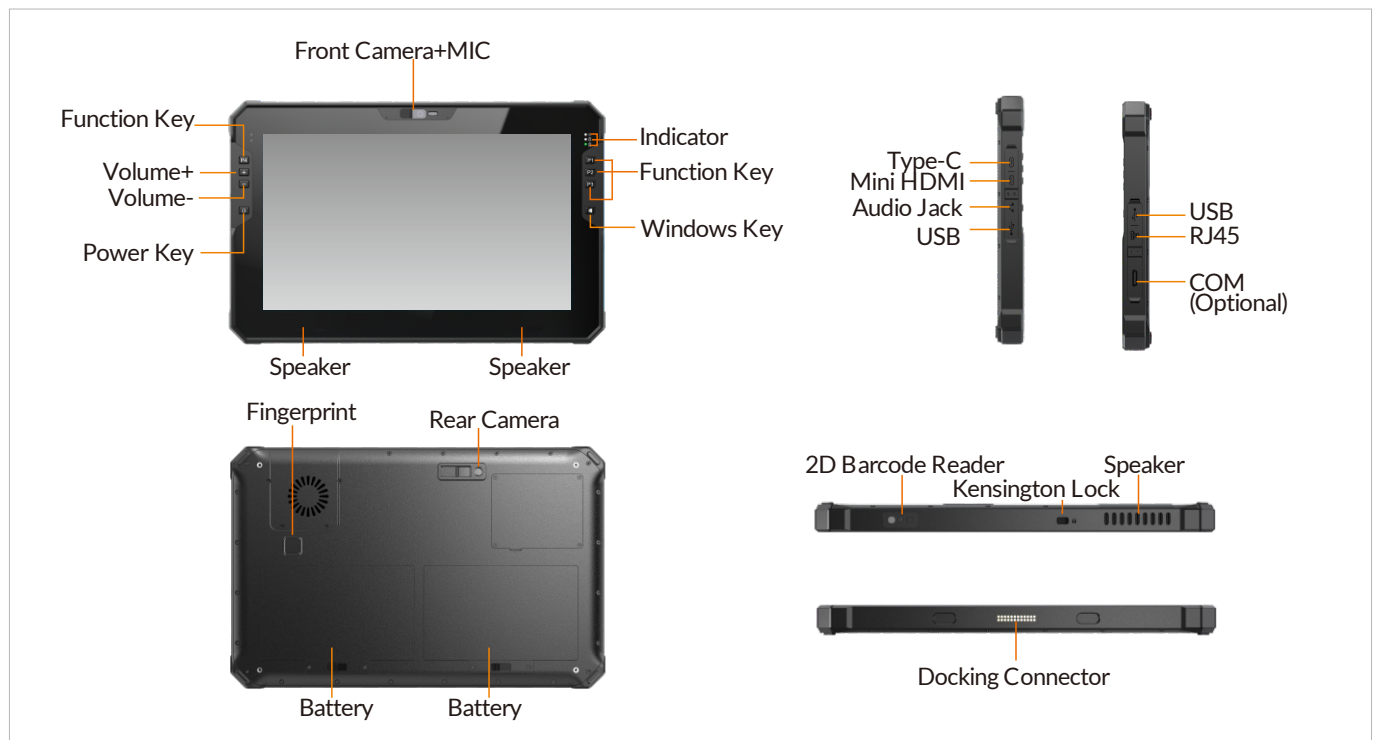
The RTC-I116 features an 11.6-inch touchscreen and a high-performance 12th gen Intel® Core™ i7/i5 processor, boasting a sleek and durable design. Equipped with built-in 5G, 4G, Intel® Wi-Fi 6E, and Bluetooth V5.3 high-speed wireless technologies, it can efficiently transmit data in real-time. Combined with a dual-battery design and comprehensive security protection, including smart card access and fingerprint/face recognition, the RTC-I116 provides ultimate manageability for field workers. The RTC-I116 has passed military-grade MIL-STD-810H standards and holds an IP66 rating, capable of withstanding water, dust, and drops, showcasing its durability in extreme conditions.

Features

- 12th gen Intel® Core™ i7/i5 processor
- 11.6" FHD (1920 x 1080), 1,000 nits sunlight-readable display with support for rain, gloves, and active pen touch
- Rich I/O interfaces including: RS-232/422/485 (optional), RJ45 Ethernet, USB, HDMI
- High capacity dual hot-swappable battery design
- Integrated 1D/2D barcode reader, NFC, RFID, fingerprint reader
- Enhanced security with Windows Hello authentication through fingerprint and front camera
- Connectivity options include Wi-Fi 6E, 5G/4G, Bluetooth 5.3, and GNSS
- IP66 and MIL-STD-810H certified



I/O Interfaces

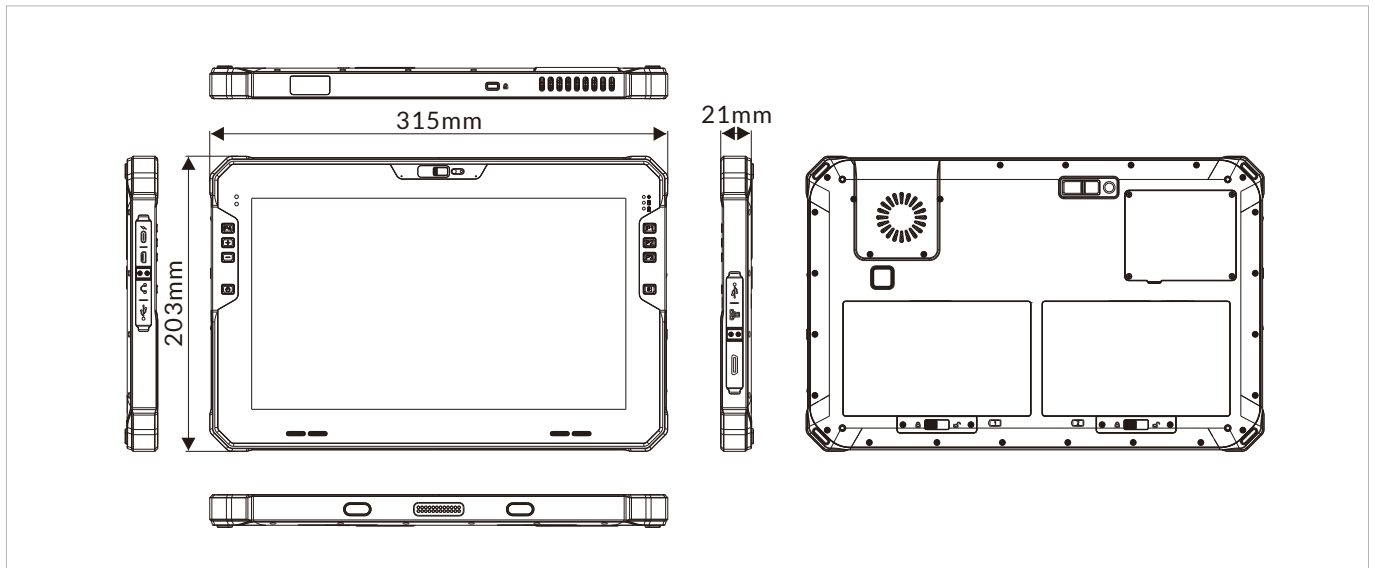


Specifications

Display	
Size	11.6-inch
Touch Type	Capacitive touchscreen, G+G, hardness 7H
Display Type	16:9 TFT IPS
Resolution	1920 x 1080
Luminance	1,000 nits
Contrast Ratio	1,000:1
View Angles	85 (left), 85 (right), 85 (up), 85 (down)
Color	16.7M
System	
CPU	Intel® Core™ i5-1235U, 2P-Cores, 8-Cores, 12 threads, 1.3 GHz-4.4 GHz Intel® Core™ i7-1255U, 2P-Cores, 8-Cores, 12 threads, 1.7 GHz-4.7 GHz
Memory	16 GB LPDDR5 (up to 32 GB, optional)
Storage	256 GB NVMe PCIe SSD (up to 1 TB, optional)
Graphics	Intel® Iris® Xe Graphics
Camera	Front: 2MP fixed focus camera (Windows Hello) Rear: 12MP autofocus camera with flash
Sensor	G-sensor, Light sensor, Gyroscope
Keypad & Keyboard	
Button	1x power key, 1x volume+, 1x volume -, 1x Windows key, 4x function keys (P1, P2, P3, P4)
I/O Ports	
USB	1x Type-C (supports power charging and data transfer) 2x USB 3.0 Type-A
Serial	2x COM (1x RS232/422/485, 1x RS232, optional)
Ethernet	1x RJ45 10/100/1000M
Display	1x Mini HDMI
Audio	1x 3.5 mm audio combo jack
SIM Card Slot	1x Nano SIM card slot
Docking Connector	1x 24 pin
RF Communication	
Wi-Fi	Wi-Fi 6E 802.11a,b,d,e,g,h,i,k,n,r,u,v,w,ac,ax
Cellular	LTE FDD: B1/B2/B3//B4/B5/B7/B8/B12/B13/B14/B17/B18/B19/B20/B25/B26/ B28/B66/B71 , LTE-TDD B34//B38/B39/B40/B41/B42/B43/B48 WCDMA B1/B2/B4/B5/B6/B8/B19
Bluetooth	Bluetooth® V5.3
GNSS	GPS, GLONASS, BeiDou
Data Collection (Optional)	
NFC	13.56 MHz, supports ISO/IEC 14443A/14443B/15693/18092/mifare, card reading distance: 2 to 5cm
RFID	UHF: PR9200/R2000
Barcode Reader	1D, 2D barcode reader
Fingerprint	Windows Hello
Audio	
Speaker	8Ω/2W, dual stereo speakers
MIC	Dual microphone
Power	
DC Input	100-240V, 50Hz-60Hz, 65W
Battery	Dual batteries, hot-swappable, 7.7V 58Whr, with battery indicator
Battery Life	6 hours
Operating System	
Windows	Windows 10, Windows 11
Linux	Linux

Mechanical	
Dimensions (W x D x H)	315 x 203 x 20 mm (12.40 x 7.99 x 0.79 inches)
Weight (N.W.)	1550 g (3.42 lbs)
Environment	
Operating Temperature	-20 °C to 60 °C (-4 to 140°F)
Storage Temperature	-30 °C to 70 °C (-22 to 158°F)
Relative Humidity	95% @ 40°C (104°F), non-condensing
Vibration	MIL-STD-810H: 2022 method 514.8 procedure I
Drop	MIL-STD-810H: 2022 method 516.8 procedure IV, 4 ft./1.2 m
IP Rating	IP66
Certification	
EMC	CE, FCC

Dimensions



Distributore per l'Italia: Contradata Milano S.r.l.

Via Solferino 12 - 20900 Monza (MB) - Italy
Tel: (+39) 039-230.14.92 Email: info@contradata.it

www.contradata.it