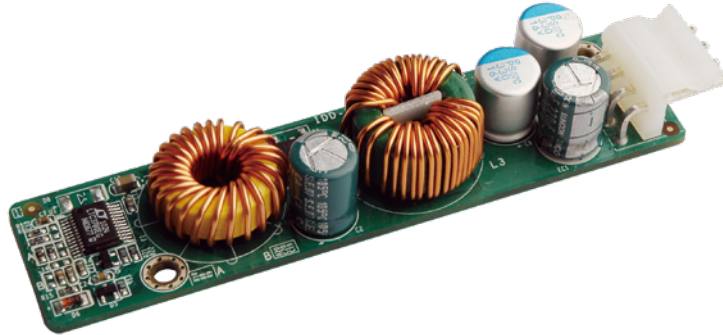


IDD-936160

60 W DC/DC Converter Module

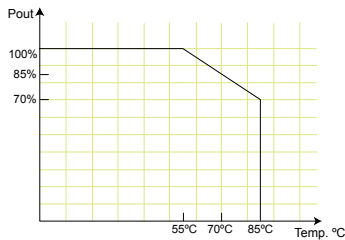


IDD-936160 60W DC/DC Converter Module is a high performance buck-boost switching regulator power module. The constant frequency current mode architecture allows a phaselockable frequency of up to 400 kHz. With a wide 9V to 36V input and 12V output and seamless transfers between operating modes, the IDD-936160 is ideal for embedded systems with limited space.



Specifications

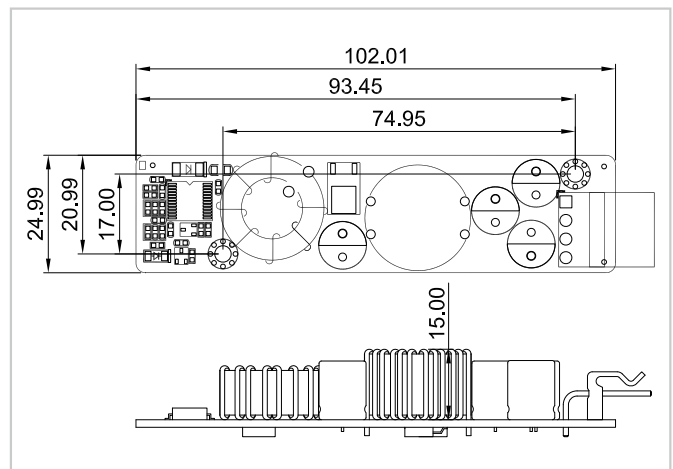
- Output (max.): 12 V@5 A
- Max. total output: 60 W
- Input: 9 VDC to 36 VDC
- Performance characteristics
 Noise & ripple: <300 mV
 Line regulation: <300 mV
 Load regulation: <85 mV
 Efficiency up to 95%
- Dimensions (mm): 82 x 25
- Weight (NW): 28 g
- Operating temperature: -40°C ~ 85°C



Features

1. Wide input range: 9-36 VDC
2. 12 VDC output up to 5 Amp
3. Compact size
4. Efficiency up to 95%
5. RoHS compliant

Dimensions (Unit: mm)



Pin Assignments

Input/Output Connector

VOUT1	Pin1	Pin2	Pin3
	+12 V Output	GND	Vin



Cable

P/N: 32102-015700-100-RS

Packing Information

1 x IDD-936160	1 x QIG
1 x 300 mm wire cable (P/N: 32102-015700-100-RS)	

Ordering Information

Part No.	Description
IDD-936160-R20	60 W DC/DC 9~36 V input, 12 V output