

APC-9210

Distributore per l'Italia: Contradata Milano S.r.l.

Via Solferino 12 - 20900 Monza (MB) - Italy
Tel: (+39) 039-230.14.92 Email: info@contradata.it

21.5", Capacitive Touch Screen, android 10, Ture-Flat Android Panel PC



Features

- 21.5" LED backlight LCD and P-Cap Multi-Touch Panel
- Front Panel IP65
- Rockchip RK3399, ARM 2xCortex-A72+4xCortex-A53 1.8GHZ
- Panel and VESA Mounting



Specifications

System

| | |
|------------------|---|
| CPU | Rockchip RK3399, ARM 2xCortex-A72+4xCortex-A53 1.8GHZ |
| GPU | Mali-T860 GPU MP4 GPU |
| Memory | DDR3 4GB |
| Storage | EMMC 16G/32G |
| Operating System | Android 10 |

Display

| | |
|----------------|-----------------------|
| Size | 21.5-inch |
| Resolution | 1920 x 1080 |
| Viewing Angle | 89/89/89/89 |
| Color Support | 16.7M |
| Brightness | 250 cd/m ² |
| Contrast Ratio | 3000:1 |
| Response Time | 20/5 (Typ.)(Tr/Td) ms |
| Backlight | LED |
| Backlight Life | 40000h |

Touch screen

| | |
|-------------------|--|
| Type | Projection multi touch capacitive touch screen |
| Control Interface | USB |
| Surface Hardness | ≥6H |
| Transmittance | 85% |

I/O Connectors

| | |
|-------------|--|
| Serial Port | 1x RS-232 |
| USB Port | 4 x USB3.0 |
| Ethernet | 2 x GbE LAN |
| GPIO | 1 x GPIO (Optional) |
| Others | 1 x DC-IN (3-Pin Phoenix) 1 x Remote switch connector 1 x ATX Power Switch |

Audio

| | |
|---------|--------------------------|
| Audio | 1 x Line-out 1 x Line-in |
| Speaker | 2 x Speaker (Optional) |

Wireless

| | |
|------|-------------------------------------|
| WIFI | 2.4GHz/5GHz |
| M.2 | M.2 3042 for 4G ; M.2 3052 for 5G ; |

Power Specification

| | |
|-------------------|--------------------|
| Power Input | 9~36V |
| Power Adapter | AC-DC, 12V@5A, 60W |
| Power Consumption | 18W(Typ.) |

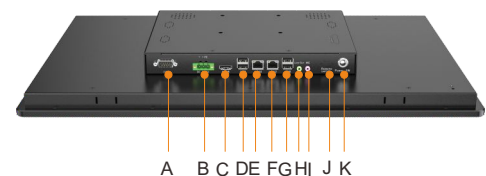
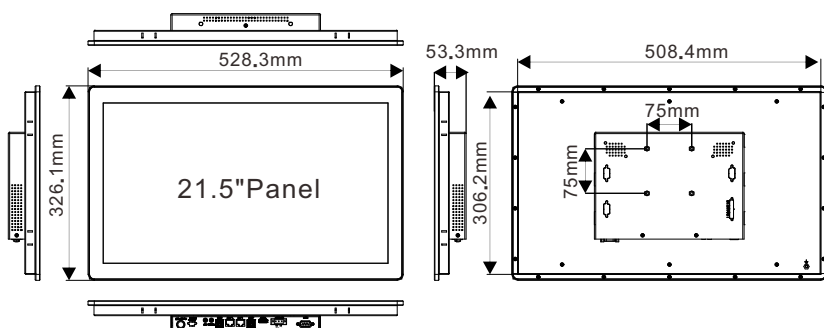
Environment

| | |
|-----------------------|--|
| Operating Temperature | -10~50°C |
| Storage Temperature | -20~60°C |
| Relative Humidity | 10%-90%, @ 40°C (non-condensing) |
| Vibration | 5~500Hz, 0.026 G ² /Hz, 2.16 Grms, X, Y, Z, 1 hour per axis |
| Certifications | CE, FCC |

Physical Characteristics

| | |
|-----------------------|---|
| Hoasing | Aluminum alloy panel, all-metal structure |
| Mounting Mode | Panel-mount, VESA-mount |
| Dimension (W x L x H) | 528.3 x 326.1 x 53.3 mm |
| Weight | 5.45Kg |

Dimension



| | |
|-------------|------------------|
| A: COM | G: Line-out |
| B: DC 9~36V | H: Mic |
| C: USB | I: COM2 |
| D: LAN1 | J: Remote Switch |
| E: LAN2 | K: Power SW |
| F: USB | |