



Features

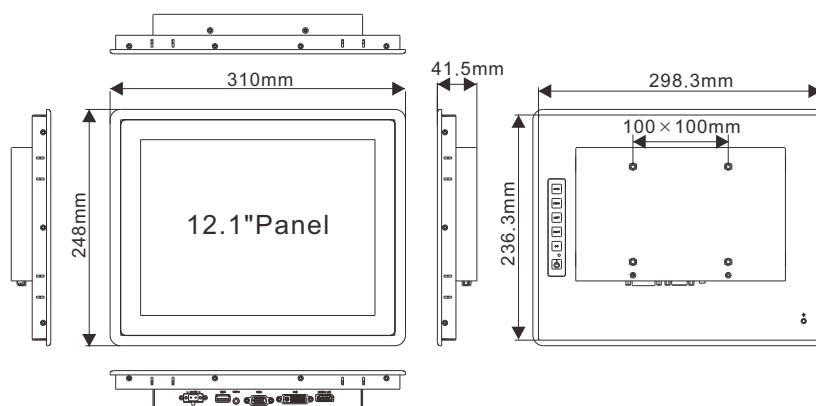
- 12.1" LCD Capacitive / Resistive Touch
- Compact Structure, Front Panel IP65
- All Metal Structure Design, Durable
- Support Panel And VESA Installation



Specifications

Display		Power Specification	
Size	12.1-inch	Power Input	DC 12~24V
Resolution	1024 x 768	Power Adapter	AC-DC, 12V@5A, 60W
Viewing Angle	80/80/80/80	Power Consumption	12W(Typ.)
Color Support	16.7M	Environmental	
Brightness	450 cd/m ²	Operating Temperature	-10~50°C
Contrast Ratio	700:1	Storage Temperature	-20~60°C
Response Time	3/5 (Typ.)(Tr/Td) ms	Relative Humidity	10%-90%,@ 40°C (non-condensing)
Backlight	LED	Vibration	5~500Hz, 0.026 G ² /Hz, 2.16 Grms, X, Y, Z, 1 hour per axis
Backlight Life	50000h	Certifications	CE, FCC
Touch Screen		Mechanical	
Type	Projection Multi Touch Capacitive Touch Screen 5-wire Resistive Touch Screen	Housing	Aluminum Alloy Panel, All-metal Structure
Control Interface	USB	Mounting Method	Panel-mount, VESA-mount
Surface Hardness	≥6H & 3H	Dimension (W x L x H)	310 x 248 x 41.5 mm
Transmittance	85% & 78%	Weight	2.45Kg
I/O Connectors		Packing List	
USB	1 x USB2.0	1 x DPM-1120	
Display	1 x VGA	1 x AC-DC Power Adapter	
	1 x DVI	1 x USB Control Cable	
	1 x HDMI/DP	1 x Cable Buckle	
Others	1 x DC-IN (2-Pin Phoenix)	1 x Certificate	
		1 x Warranty Card	
		8 X Panel Mounting Buckles	

Dimensions



- A: DP/HDMI
B: DVI
C: VGA
D: Audio
E: USB
F: DC-IN