

## 8" Android Rugged Tablet with MTK Octa-core Processor

### Overview

Darveen rugged tablets are crafted to withstand the harshest industrial environments, providing mobile solutions that increase productivity, enhance safety, and reduce operational costs. The RTC-M81 is equipped with the Android 11 operating system and an 8-inch screen supported by stylus, glove, and wet-touch modes. It also features an integrated IPS 700-nit screen for clear visibility and operational comfort, regardless of the weather or application.

### Features

- MTK MT6771 Octa-core processor
- Android 11 operating system
- Supports 1D, 2D barcode reader, NFC, RFID, fingerprint (optional)
- Supports 4G, WLAN, BT, and GNSS
- Rich I/O interfaces including: RS-232, RJ45 Ethernet, USB, HDMI
- Removable high-capacity battery design
- IP67 and MIL-STD-810H certified



### I/O Interfaces

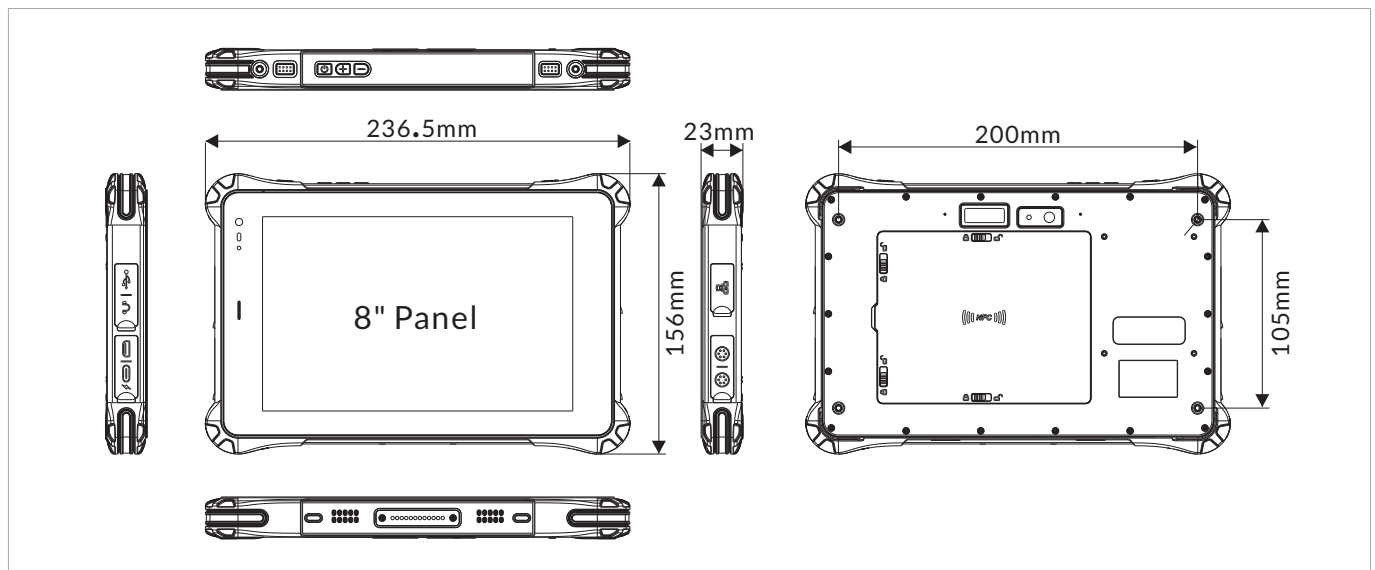


## Specifications

<b>Display</b>	
Size	8 inch
Touch Type	G+G Capacitive multi-touch screen, gorilla glass, hardness 7h
Resolution	800 x 1280
Luminance	700 nits
Contrast Ratio	1200: 1
View Angles	85 (left), 85 (right), 85 (up), 85 (down)
Color	16.7M
<b>System</b>	
CPU	MTK MT6771, ARM Cortex-A73 Quad-core 2.0 Ghz,ARM Cortex-A53 Quad-core 2.0GHz
Memory	4GB LDDR4 (optional 6GB )
Storage	64GB EMMC (optional 128GB )
Graphics	ARM Mail-G72
Camera	Front: 5MP fixed-focus camera Rear: 13MP autofocus camera with flash
Sensor	Compass, Gyroscope, G-sensor, Light sensor
<b>Keypad &amp; Keyboard</b>	
Button	1x Power button, 1x Volume+, 1x Volume -, 2x Function keys
<b>I/O Ports</b>	
USB	1x USB 3.0 Type A 1x USB 2.0 Type C (supports power charging and data transfer)
Ethernet	1x RJ45 10/100M
Display	1x Mini HDMI
Audio	1x 3.5mm audio combo jack
SIM Card Slot	1x Micro SIM card slot
TF Card Slot	1x TF card slot, up to 256GB
Aviation Plug	2x Aviation plug (choose two out of three from USB, RS232 or DC-in)
Docking Connector	1x 12-Pin
<b>RF Communication</b>	
Wi-Fi	Wi-Fi 802.11 (a/b/g/n/ac), dual band (2.4G + 5.8G)
Cellular	GSM: B2/B3/B5/B8, WCDMA: B1/B2/B5/B8 TD-SCDMA:B38/B39/B40/B41 CDMA2000: BC0/BC1 FDD: B1/B3/B5/B8/B20/B28a/B28b or B2/B4/B7/B17 TDD: B34/B38/B39/B40/B41
Bluetooth	BT4.2 (BLE) Class 1
GNSS	GPS, GIONASS, BeiDou
<b>Data Collection(Optional)</b>	
NFC	13.56MHz, supports ISO/IEC 14443A/14443B/15693/18092/mifare
RFID	HF: 13.56MHz, supports ISO/IEC 14443A/14443B/15693 UHF: 900MHz, supports PR9200 / R2000
Barcode Reader	1D, 2D barcode reader
Fingerprint	FBI/ISO/GA Certification
<b>Audio</b>	
Speaker	8Ω/1W, dual stereo speakers
MIC	Built-in microphone
<b>Power</b>	
DC Input	100-240V, 50-60Hz, 12VDC
Battery	Removable lithium-ion polymer battery, 3.8V 10000mAh
Battery Life	8 hours
<b>Operating System</b>	
Android	Android 11

Mechanical	
Dimensions (W x D x H)	236.5 x 156 x 23mm ( 9.31 x 6.14 x 0.91 inches)
Weight (N.W.)	850g ( 1.87lbs)
Environment	
Operating Temperature	-10 °C to 50 °C (14 to 122°F)
Storage Temperature	-20 °C to 60 °C (-4 to 140°F)
Relative Humidity	95% @ 40°C (104°F), non-condensing
Vibration	MIL-STD-810H: 2022 Method 514.8 Procedure I
Drop	MIL-STD-810H: 2022 Method 516.8 Procedure IV, 4ft
IP Rating	IP67 compliant
Certification	
EMC	CE, FCC
Packing List	
Packing	1x RTC-M81, 1x Battery, 1x Hand strap, 1x Power adapter

## Dimensions



## Optional Accessories

Part No.	Description
SS18	Shoulder strap
HS8	Hand strap

## Ordering Information

Part No.	Description
RTC-M81-B1000	800 x 1280@700nit, MT6771, 4GB + 64GB, Wi-Fi, Bluetooth, 4G, GPS, 3.8V@1000mAh Battery
RTC-M81-B1200	800 x 1280@700nit, MT6771, 4GB + 64GB, Wi-Fi, Bluetooth, 4G, GPS, 3.8V@1000mAh Battery, 2D Barcode