

# AFL4-W08-EHL

## IEI Light Industrial Panel PC

Powered by Intel® Elkhart Lake Platform



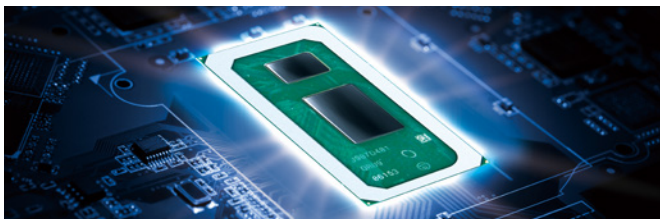
# AFL4-W08-EHL

Fanless panel PC with narrow bezel design, Intel® Celeron® J6412 processor, on-board 8GB memory, HDMI output, 2.5GbE LAN, two UART, three USB, one M.2 M key expansion slot, and anti-glare & anti-UV 10-point touchscreen



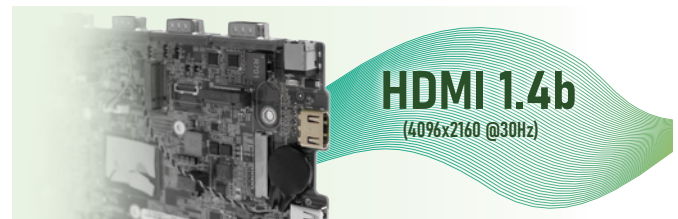
## Intel® Celeron® J6412 SoC

Intel® Elkhart Lake low power SoC, adopting 10nm process, 4-core 4-thread, 2.00GHz base frequency and up to 2.60GHz burst frequency.



## Support 4K UHD Display Output

10th generation Intel® Ultra HD graphics engine allows the system to display video and images in stunning 4K resolution over HDMI 1.4b.



## Anti-glare and Anti-UV PCAP

With anti-glare and anti-UV coating, the 10-point touchscreen can display clearly without reflection for a long time use in outdoors and bright light environment.



## Works with Gloves and Water

The equipped capacitive touch screen supports gloved operation and waterproof function that can effectively eliminate false touch operating caused by water spray.



## Extensive I/O Interfaces

The panel PC is small, but comes with abundant I/O for a variety of application scenarios. It includes two UART, three USB, one 2.5G network port and one HDMI interface.

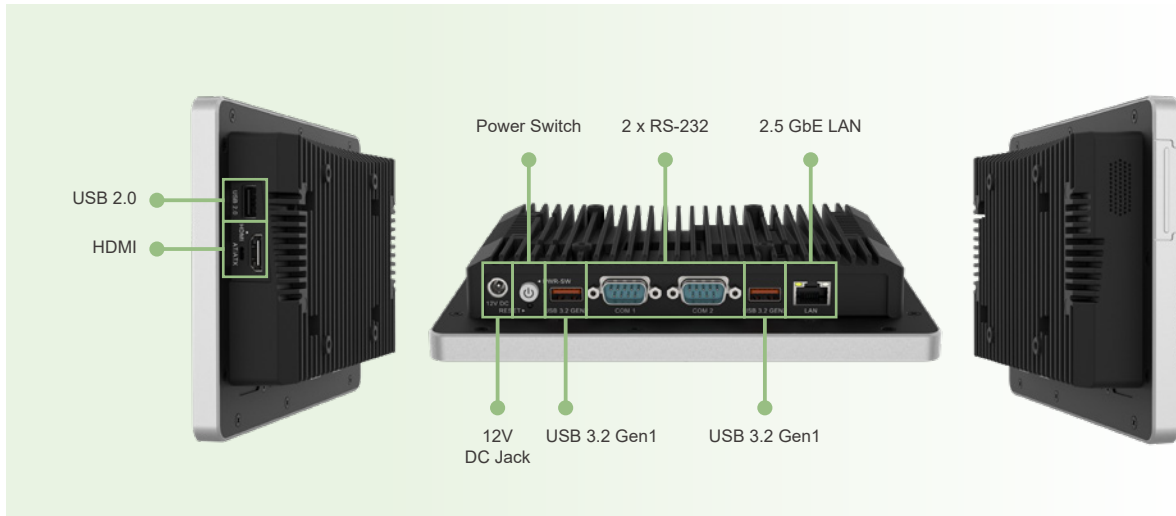


## Support WiFi 6E and Bluetooth 5.2

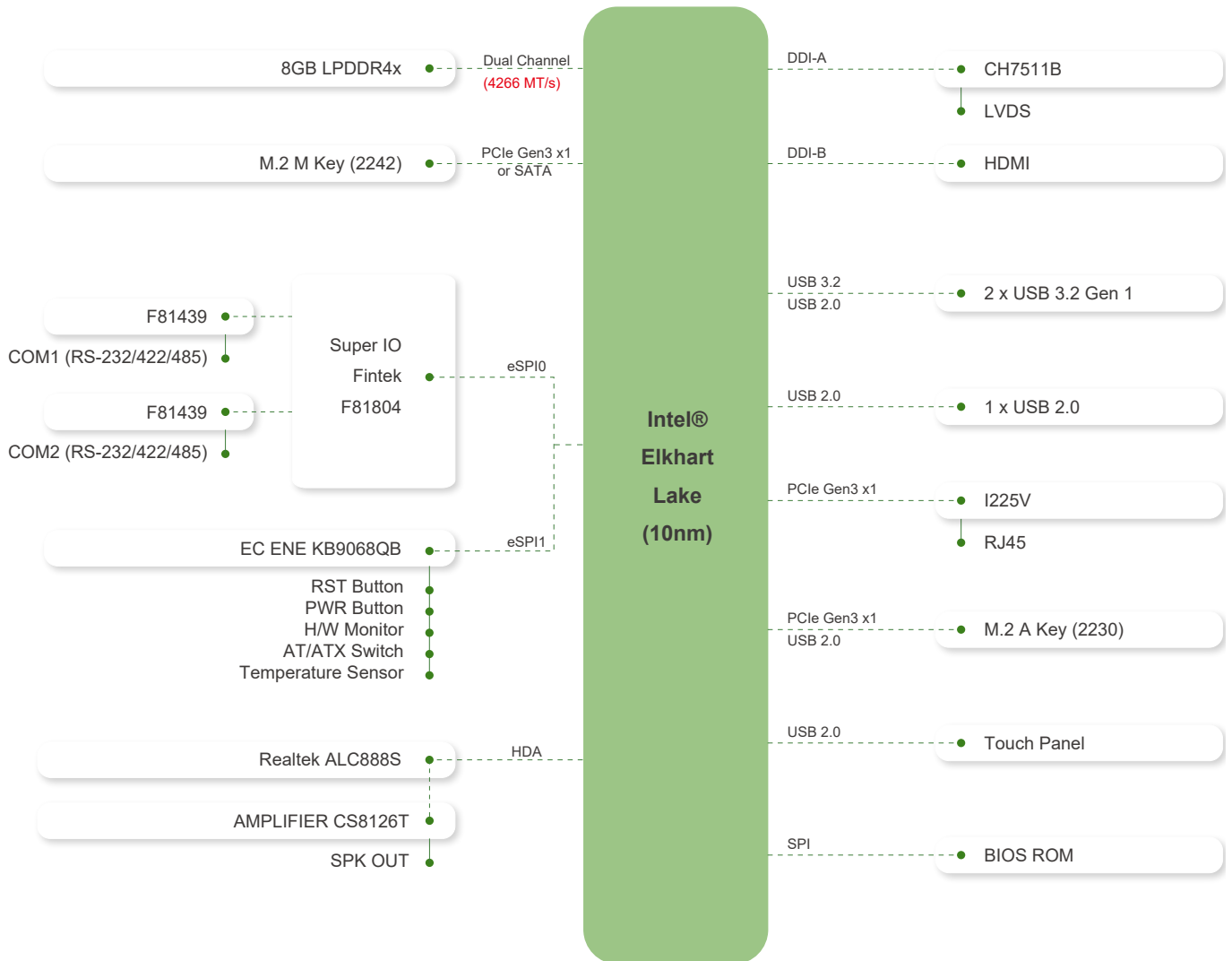
Strong Wi-Fi 6E wireless network capability provides more bandwidth, and the low latency Bluetooth 5.2 connection is more stable and consumes less power.



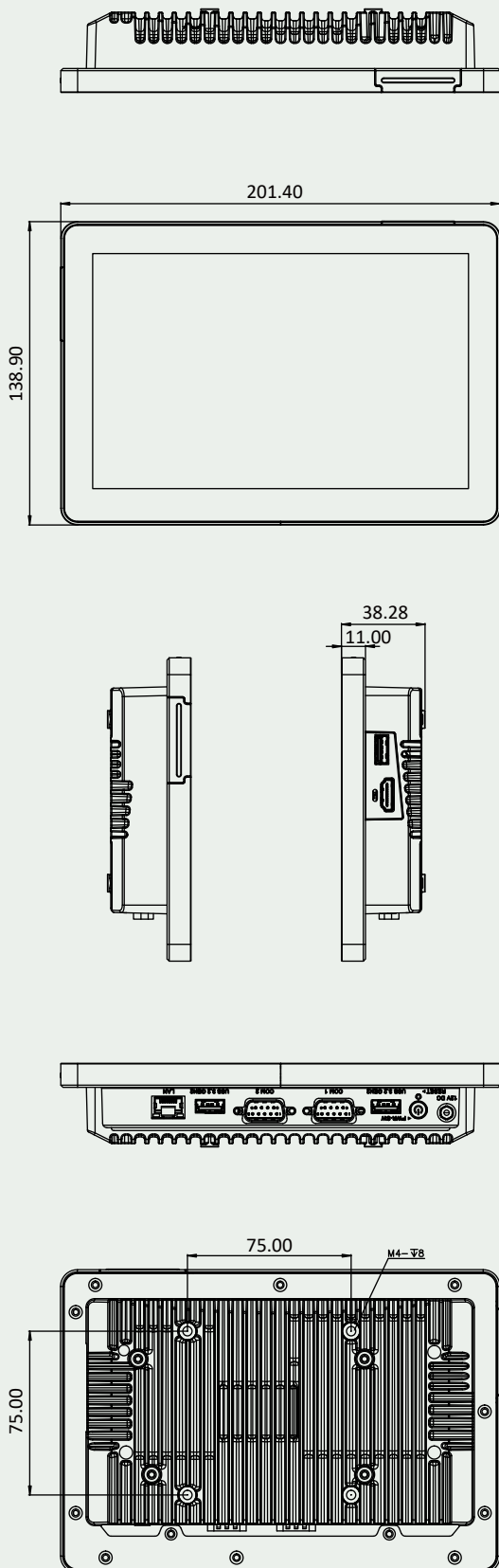
## Fully Integrated I/O



## Block Diagram



## Dimensions (Unit: mm)



## Specifications

Model	AFL4-W08-EHL		
LCD	Size	8" (16:10)	
	Resolution (WxH)	1280 x 800	
	Brightness (cd/m <sup>2</sup> )	420	
	LCD Color	16.7M	
	Pixel Pitch (mm)	0.135 x 0.135	
	Contrast Ratio	700:1	
	Viewing Angle (H-V)	170°/170°	
	Backlight MTBF	30000 hours	
Touch	Touch Screen	PCAP with USB interface (anti-UV/AG coating)	
	Touch Controller	EETI EXC 81 Series	
Mainboard	SOC	Intel® Celeron® Processor J6412 1.5M Cache, up to 2.60 GHz / TDP 10W	
	RAM	Dual channel 8GB LPDDR4x on board	
	Ethernet	LAN1: Intel® I225V 2.5GbE controller	
	Audio Codec	Realtek ALC888S	
	Storage	-	
	Expansion	1 x M.2 2242 M key (PCIe Gen3 x1 + SATA)	
	I/O Ports & Switch	2 x RS-232/422/485 by DB9 1 x 2.5GbE LAN 2 x USB 3.2 Gen2 1 x USB2.0 1 x HDMI output	1 x 12V DC Jack 1 x Power button 1 x Reset button 1 x AT/ATX switch
Audio	AMP 1.2 W (internal speaker)		
Wireless & Bluetooth	IEEE 802.11 a/b/g/n/ax, Bluetooth V5.2 1 x M.2 2230 A Key Slot (PCIe + USB signal)		
Physical	Body Material	Aluminum die casting+SECC	
	Mounting	Wall, Stand, ARM, VESA 75	
	Color	Silver+Black	
Environment	Operating Temperature (°C) (Ambient with air flow)	-10 ~ 50@50%RH	
	Storage Temperature (°C)	-20 ~ 60@50%RH	
	Humidity	10% to 90%@40°C (non-condensing)	
	Operating Shock	Half-sine wave shock 5G; 11ms; 100 shocks per axis	
	Operating Vibration	MIL-STD-810G 514.5C-1 (with SSD)	
	IP Level	Front panel IP64	
	Safety&EMC	CE/EMC, UKCA, FCC, RED (Class A)	
	Thermal Solution	Fanless	
Power	12V		
ErP	ErP 2009/125/EC		
OS	Windows 10 IoT/Linux		

## Packing List

Item	Q'ty
Power cord	1
Power adapter	1
QIG	1

## Ordering Information

Part No.	Description
AFL4-W08-EHL-J1/8G-R10	8" 400cd/m <sup>2</sup> 1280x800 fanless Panel PC with Intel® Celeron® Processor J6412 (10W) on-board Processor, 8GB LPDDR4 on-board, 802.11a/b/g/n/ac/ax WiFi&Bluetooth® 5.2 module, PCAP touch, R10

## Options

Item	Part No.	Description
Arm	ARM-11-RS	VESA 75/100 Desk ARM
Stand	STAND-C12-R10	VESA 75/100 Easy Stand
V-Stand	VSTAND-A07-R11	Stand V Type for AFL series, VESA 75/100
Wall	AFLWK-12	Monitor Wall mounting kit
OS	WIN10-IOTE2019-V-RS	Win10 IoT Ent LTSC 2019 MultiLang OEI Value