

uIBX-260-EHL

Ultra Compact Size

Features

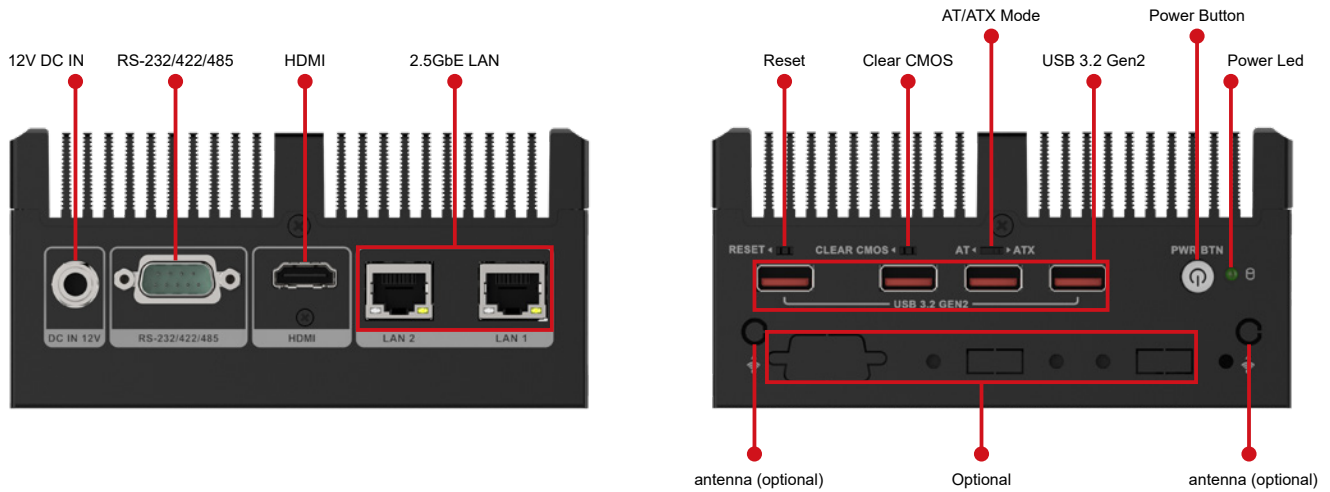
- Fanless system with Intel® Celeron® J6412 processor
- M.2 for expansion
- Four USB 3.2 Gen2 (10Gb/s) ports
- Two GbE LAN ports



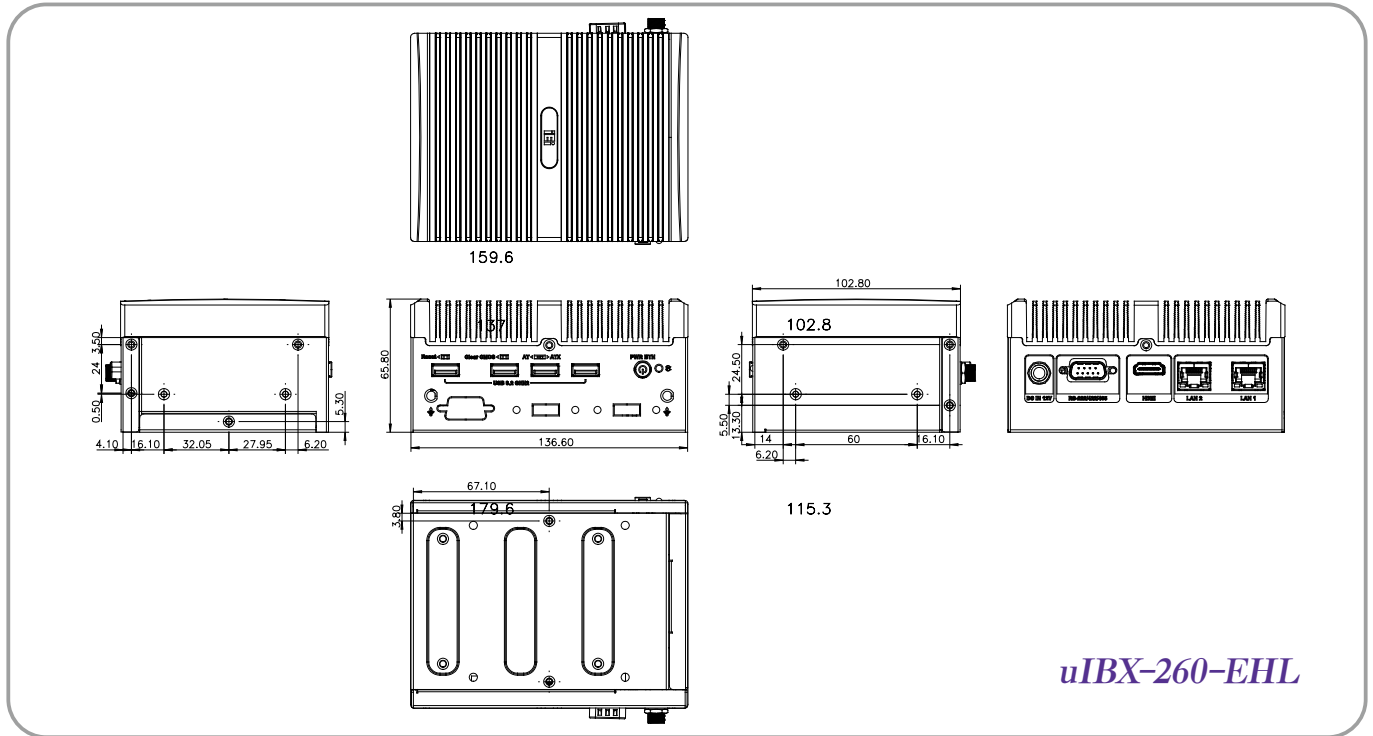
Specifications

Model Name		uIBX-260-EHL
Chassis	Color	Black
	Dimensions (WxDxH) (mm)	137 x 102.8 x 65.8
	System Fan	Fanless
	Chassis Construction	Extruded aluminum alloy
Processor	CPU	Intel® Celeron™ J6412 2.0GHz (up to 2.6GHz, quad-core, TDP 10W)
	Chipset	SoC
Memory	System Memory	Onboard LPDDR4X 3200MHz 8G (up to 16GB)
Storage	SATA	1 x 2.5" SATA 6Gb/s HDD/SSD bay
I/O Interfaces	USB	4 x USB 3.2 Gen2x1 2 x USB 2.0 (optional)
	Ethernet	2 x RJ-45 PCIe 2.5 GbE by I225V controller
	Display	1 x HDMI 1.4b (up to 4k@ 30Hz)
	COM	1x RS-232/422/485 (DB9) 1x RS-232 (optional)
	Storage	1 x Emmc (optional)
	Wireless	1 x 802.11a/b/g/n/ac (M.2 A Key optional)
	TPM2.0	Intel PTT
	Other	1 x Power Button (with LED), 1 x Reset Button, 1 x AT/ATX switch, 1 x Clear CMOS Button
Expansions	M.2	1 x 2230 A-key (PCIe x1/USB 2.0) 1 x 2280 M-key (PCIe x2)
Power	Power Input	DC JACK: 12 V DC
	Power Consumption	TBD
Reliability	Mounting	VESA 75/100
	Operating Temperature	-10°C ~ 50°C with air flow (M.2), 10% ~ 95%, non-condensing
	Storage Temperature	-20°C ~ 70°C with air flow (M.2), 10% ~ 90%, non-condensing
	Operating Shock	Half-sine wave shock 5G, 11ms, 100 shocks per axis (SSD)
	Operation Vibration	10-500 Hz, 1.04 Grms, random, 1 hr/axis (SSD)
	Weight (Net/Gross)	TBD
	Safety / EMC	CE, FCC
Watchdog timer	Programmable 1~255 sec/min	
OS	Supported OS	Microsoft® Windows® 10/11, Linux

Fully Integrated I/O



Dimensions (Unit: mm)



uIBX-260-EHL

Ordering Information

Part No.	Description
uIBX-260-EHL-JC-R10	Extend temperature Fanless embedded system with Intel® Celeron J6412 2.0GHz, (up to 2.6 GHz, Quad Core, TDP 10W), 1 x RS232, 1 x RS-232/422/485, 4 x USB 3.2, 1 x HDMI, 2 x 2.5GbE Lan, 12V DC, RoH

Options

Part No.	Description
EMB-WIFI-KIT0213-R10	2T2R M.2 wifi module kit for embedded system, IEEE802.11a/b/g/n/ac/ax, 1 x M.2 AE Key Wireless LAN & Bluetooth 5.2; Intel; AX210.NGWWG Module, 2 x RF cable, 2 x Antenna; RoHs

Packing List

1 x Power Adapter	1 x Mounting Bracket
1 x Mounting Screw	1 x Power Cord