

# TANGO-3010

■ Ultra Compact Size

## Features

- Ultra-Compact Industrial Mini PC
- Fanless system
- Intel® Celeron® J6412 2.0 GHz (up to 2.6 GHz, quad-core, TDP 10W)
- Triple 2.5GbE LAN
- Built-in Wi-Fi 6E & Bluetooth 5.2 module (internal antenna)



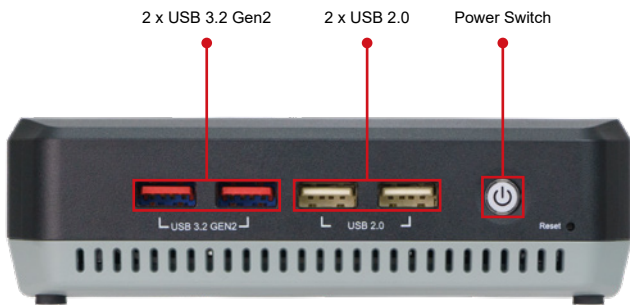
## Specifications

Model Name		TANGO-3010
Form factor	Color	Black C & grey (Pantone 430C)
	Dimensions(WxDxH)	139 x 137 x 39.8 mm
	System Fan	Fanless
	Chassis Construction	ABS Plastic + Aluminum
Motherboard	CPU	Intel® Celeron® J6412 2GHz (up to 2.6GHz, TDP 10W)
	Chipset	SoC
	System Memory	LPDDR4X on board 8GB (up to 16G)
Storage	SATA	1 x 2.5" SATA 6Gb/s HDD/SSD bay (support up to 9.5 mm SSD)
I/O Interfaces	Ethernet	3 x RJ-45 2.5 GbE by I225V controller
	USB	2 x USB 3.2 Gen2 2 x USB 2.0
	Display	2 x HDMI 1.4b Support CEC (up to 4k@ 30Hz)
	COM	1x RS-232 (DB9) 1x RS-232/422/485 (DB9)
	Wireless/Bluetooth	INTEL AX210 WiFi 6E & Bluetooth 5.2 Module built-in 2T2R antenna
	TPM2.0	Support Intel PTT
Expansion Slots	M.2	1 x 2230 A-key (PClex1/USB2.0)(preinstalled WIFI Module) 1 x 2280 M-key (PClex4)
Power	Power Input	DC JACK: 12 V DC
	Power Consumption	+12V@2.95A (Intel® Celeron J6412 with 8GB memory)
Reliability	Mounting	60.6 x 11.55 With conversion vesa75/100 bracket
	Operating Temperature	0°C ~ 40°C with air flow (SSD), 10% ~ 95%, non-condensing
	Storage Temperature	-10°C ~ 60°C with air flow (SSD), 10% ~ 90%, non-condensing
	Operating Shock	Half-sine wave shock 5G, 11ms, 100 shocks per axis (SSD)
	Operation Vibration	10-500 Hz, 1.04 Grms, random, 1 hr/axis (SSD)
	Weight (Net/Gross)	0.57/1.35kg
	Safety / EMC	CE/RED/FCC/UKCA
	Watchdog timer	Programmable 1~255 sec/min
Others	Switch	1 x Power Button (with LED), 1 x Reset Button
OS	Supported OS	Microsoft® Windows® 10/11, Linux

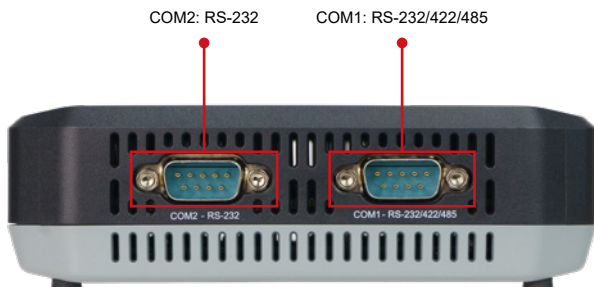
Fully Integrated I/O

Dimensions (Unit: mm)

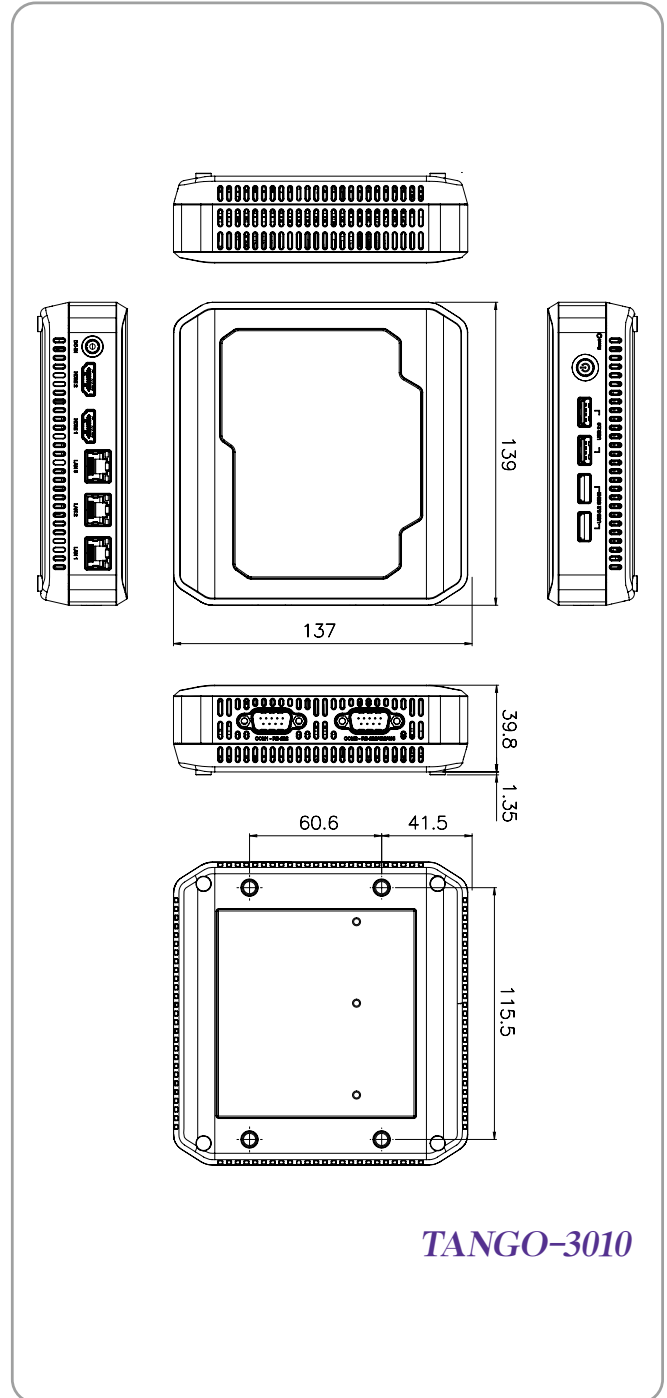
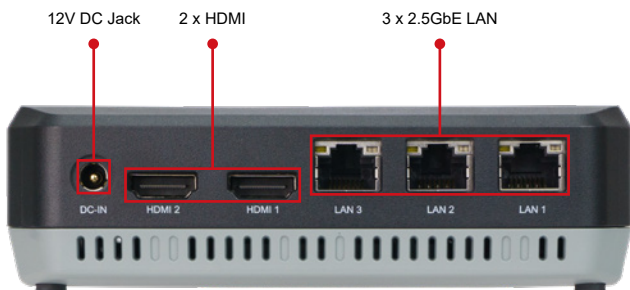
Front View



Side View



Rear View



TANGO-3010

Ordering Information

Part No.	Description
TANGO-3010-JWC-R10	Fanless System with Intel® Celeron® J6412 2.6 GHz (up to 2.0 GHz, quad core, TDP 10W), 8GB onboard memory, 3 x 2.5GbE LAN, 2 x HDMI, 4 x USB, 12V DC, Wifi-6E, RoHS
TANGO-3010-W10IoT21-E-R10	OS Image with Windows® 10 Enterprise Entry 64-bit 2021 LTSC for TANGO-3010-J6412 Series, with DVD-ROM, RoHS

Packing List

1 x Mounting Screw	1 x VESA Mounting Kit
1 x Adapter	1 x Power Cord