

# Q7M311

Qseven Module with Intel® Pentium® Processor N4200 & Celeron® Processor N3350

## Features

- Intel® Pentium® processor N4200 & Celeron® processor N3350 (Apollo Lake)
- Onboard 4GB DDR3L memory
- 4 lanes of PCI Express slot
- 2 SATA-600
- 3 USB 3.0 and 4 USB 2.0

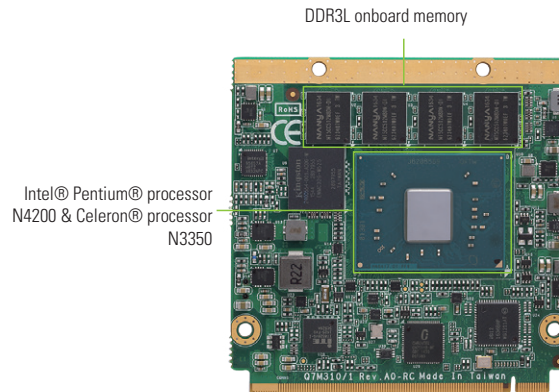


## Core System

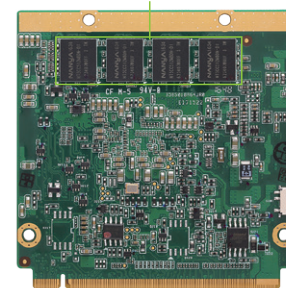
CPU	Intel® Pentium® processor N4200 & Celeron® processor N3350 (Apollo Lake) onboard
System Memory	Onboard 4GB DDR3L memory
Chipset	SoC integrated
BIOS	AMI uEFI (Legacy free)
SSD	eMMC 5.0 up to 64GB (optional)
Watchdog Timer	65536 levels, 0 ~ 65535 sec.
Expansion Interface	4 x PCIe x1 (3 x PCIe x1 if onboard LAN is supported)
Battery Lithium	N/A
Power Input	ATX: 5V, +5VSB AT: 5V
Size	70 x 70 mm
Board Thickness	1.2 mm
Temperature	-20°C ~ +70°C (-4°F ~ +158°F), operation
Operation Humidity	10% ~ 95% relative humidity, non-condensing

## I/O

MIO	1 x LPC interface (optional) 1 x SPI interface 1 x Serial TX/RX 1 x I <sup>2</sup> C 1 x SDIO
SATA	2 x SATA-600
Hardware Monitoring	Yes
Ethernet	1 port as 10/100/1000 Mbps supports Wake-on-LAN, PXE Boot ROM with Intel® i211AT
Audio	HD link interface to baseboard for Codec
USB	3 x USB 3.0 4 x USB 2.0
TPM	N/A
SMBus	Yes
Digital I/O	8 x GPIO
SDIO	Yes
Smart Battery	Yes



Onboard DDR3L memory



## Display

Chipset	Intel® Gen 9 Graphics Engine Support Gfx - DX11.1, OCL1.2, OGL 4.2
Display Interface	1 x DDI (DP, HDMI, DVI) 1 x LVDS; 18/24-bit dual channel (eDP optional)

## Packing List

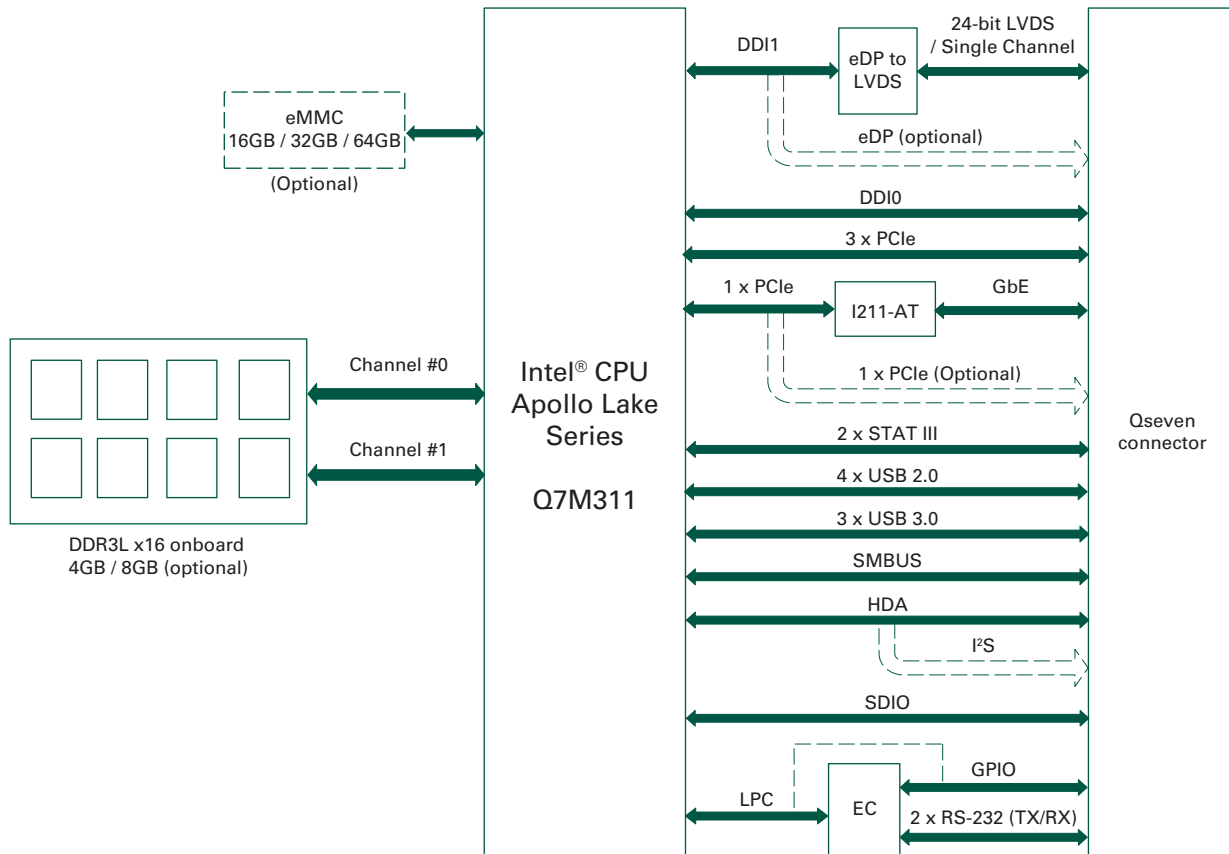
Quick installation guide

## Ordering Information

Standard	
Q7M311PG-N4200-4G (P/N: E38Q311100)	Qseven module with Intel® Pentium® N4200, 4GB DRAM, DDI/LVDS, USB 3.0 and GbE LAN
Q7M311PG-N3350-4G (P/N: E38Q311102)	Qseven module with Intel® Celeron® N3350, 4GB DRAM, DDI/LVDS, USB 3.0 and GbE LAN
7128Q311000E	Q7M311 heat spreader
7118Q311000E	Q7M311 heatsink without fan

Block Diagram

www.contradata.it



- System on Modules 1
- 2
- 3
- 4