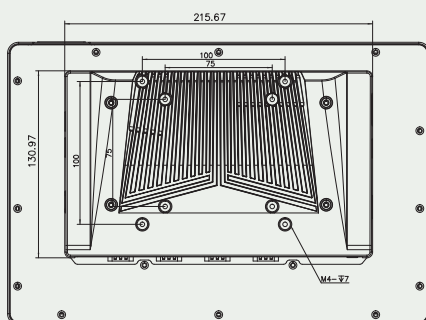
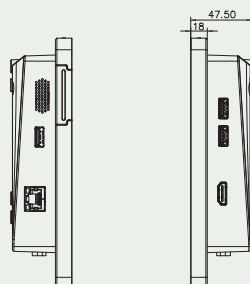
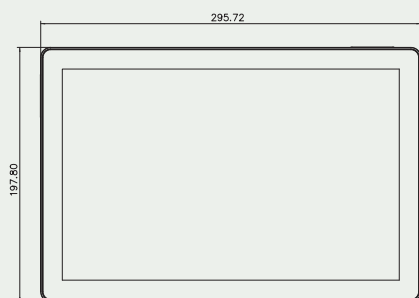


## Dimensions



## Specifications

Model		AFL4-W12-ADL	
LCD	Size	12.1"	
	Resolution	1280 x 800 (16:10)	
	Brightness (cd/m <sup>2</sup> )	500	
	Contrast Ratio	1200:1	
	Viewing Angle (H-V)	170°/170°	
Touch	Backlight MTBF	50000 hours	
	Touch Screen	PCAP with USB interface (anti-UV/AR coating)	
Mainboard	Touch Controller	EETI EXC 81 Series	
	SOC	12th Generation Intel® Alder Lake-P Core™ i7/i5/i3/Celeron® Processor	
	RAM	Dual channel On board LPDDR4X 8G	
	Ethernet	LAN1: Intel® I225 + LAN2: Intel® I225	
Storage	Audio Codec	Realtek ALC888S	
	M.2	1 x M.2 M key 2242 (PCIe Gen4 x 4) 1 x M.2 M key 2280 (PCIe Gen4 x 4)	
I/O Ports & Switch	COM Port	2 x RS-232 by DB9 2 x RS-422/RS485 by DB9	
	LAN Port	2 x 2.5GbE LAN	
	USB Port	2 x USB 3.2 Gen1 3 x USB 2.0	
	Display Port	1 x HDMI output	
	Power in	1 x 12V DC Jack	
	Switch	1 x Power button 1 x Reset button 1 x Clear CMOS button 1 x AT/ATX switch	
	Audio	AMP 1.2W (internal speaker)	
	Wireless & Bluetooth	IEEE 802.11 a/b/g/n/ax, Bluetooth V5.2 1 x M.2 2230 A Key Slot (PCIe + USB signal)	
	Physical	Construction Front Panel	SECC
		Mounting	Wall, Rack, Stand, ARM, VESA 75/100
Color		Silver + Black	
Environment	Operating Temperature (°C) (Ambient with air flow)	-20 ~ 50	
	Storage Temperature (°C)	-20 ~ 60	
	Humidity	10% to 95% (non-condensing)	
	IP Level	Front panel IP65	
	Safety&EMC	CE/EMC , FCC , RED (Class A)	
Power	Thermal Solution	Fanless	
	Power Requirement	12V ErP 2009/125/EC	

## Packing List

1 x Power Cord	1 x Power Adapter
1 x QIG	

## Ordering Information

AFL4-W12-ADL-P-i7/ W/8G-R10	12.1" 500cd/m <sup>2</sup> 1280x800 Fanless Panel PC with 12th Generation Intel® Core™ i7 on-board Processor,TDP 15W,8GB LPDDR4 on-board, without WiFi&Bluetooth module, PCAP touch,12V DC,R10
AFL4-W12-ADL-P-i5/ W/8G-R10	12.1" 500cd/m <sup>2</sup> 1280x800 Fanless Panel PC with 12th Generation Intel® Core™ i5 on-board Processor,TDP 15W,8GB LPDDR4 on-board, without WiFi&Bluetooth module, PCAP touch,12V DC,R10
AFL4-W12-ADL-P-i3/ W/8G-R10	12.1" 500cd/m <sup>2</sup> 1280x800 Fanless Panel PC with 12th Generation Intel® Core™ i3 on-board Processor,TDP 15W,8GB LPDDR4 on-board, without WiFi&Bluetooth module, PCAP touch,12V DC,R10
AFL4-W12-ADL-P-CE/ W/8G-R10	12.1" 500cd/m <sup>2</sup> 1280x800 Fanless Panel PC with 12th Generation Intel® Celeron® G on-board Processor,TDP 15W,8GB LPDDR4 on-board, without WiFi&Bluetooth module, PCAP touch,12V DC,R10

## Options

Part No	Description
-	TBD
-	TBD
-	TBD
-	TBD
-	TBD