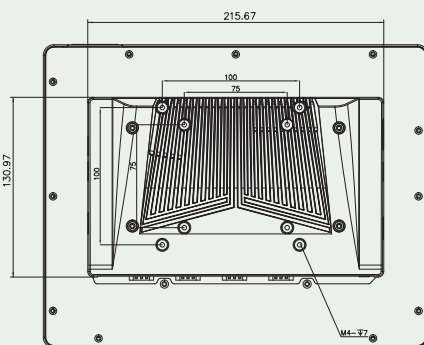
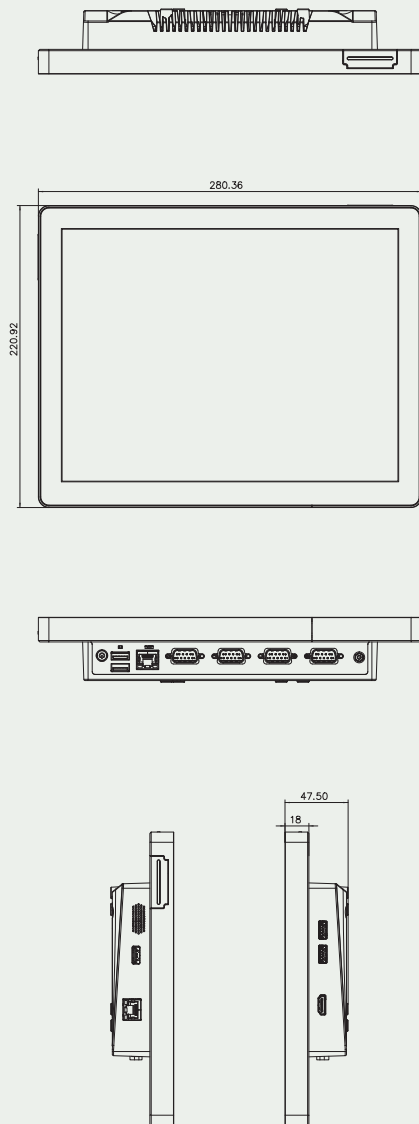


## Dimensions



## Specifications

Model		AFL4-12-ADL
LCD	Size	12.1"
	Resolution	1024 x 768 (4:3)
	Brightness (cd/m <sup>2</sup> )	500
	Contrast Ratio	700:1
	Viewing Angle (H-V)	160°/140°
Touch	Backlight MTBF	50000 hours
	Touch Screen	PCAP with USB interface (anti-UV/AR coating)
Mainboard	Touch Controller	EETI EXC 81 Series
	SOC	12th Generation Intel® Alder Lake-P Core™ i7/i5/i3/Celeron® Processor
Storage	RAM	Dual channel On board LPDDR4X 8G
	Ethernet	LAN1: Intel® I225 + LAN2: Intel® I225
	Audio Codec	Realtek ALC888S
I/O Ports & Switch	M.2	1 x M.2 M key 2242 (PCIe Gen4 x 4) 1 x M.2 M key 2280 (PCIe Gen4 x 4)
	COM Port	2 x RS-232 by DB9 2 x RS-422/RS485 by DB9
I/O Ports & Switch	LAN Port	2 x 2.5GbE LAN
	USB Port	2 x USB 3.2 Gen1 3 x USB 2.0
I/O Ports & Switch	Display Port	1 x HDMI output
	Power in	1 x 12V DC Jack
I/O Ports & Switch	Switch	1 x Power button 1 x Reset button 1 x Clear CMOS button 1 x AT/ATX switch
	Audio	AMP 1.2W (internal speaker)
	Wireless & Bluetooth	IEEE 802.11 a/b/g/n/ax, Bluetooth V5.2 1 x M.2 2230 A Key Slot (PCIe + USB signal)
	Physical	Construction Front Panel
Mounting		Wall, Rack, Stand, ARM, VESA 75mm x 75mm
Color		Silver + Black
Environment	Operating Temperature (°C) (Ambient with air flow)	-20 ~ 50
	Storage Temperature (°C)	-20 ~ 60
	Humidity	10% to 95% (non-condensing)
	IP Level	Front panel IP65
	Safety&EMC	CE/EMC , FCC , RED (Class A)
Power	Thermal Solution	Fanless
	Power Requirement	12V ErP 2009/125/EC

## Packing List

1 x Power Cord	1 x Power Adapter
1 x QIG	

## Ordering Information

AFL4-12-ADL-P-i7/ W/8G-R10	12.1" 500cd/m <sup>2</sup> 1024x768 Fanless Panel PC with 12th Generation Intel® Core™ i7 on-board Processor,TDP 15W,8GB LPDDR4 on-board, without WiFi&Bluetooth module, PCAP touch,12V DC,R10
AFL4-12-ADL-P-i5/ W/8G-R10	12.1" 500cd/m <sup>2</sup> 1024x768 Fanless Panel PC with 12th Generation Intel® Core™ i5 on-board Processor,TDP 15W,8GB LPDDR4 on-board, without WiFi&Bluetooth module, PCAP touch,12V DC,R10
AFL4-12-ADL-P-i3/ W/8G-R10	12.1" 500cd/m <sup>2</sup> 1024x768 Fanless Panel PC with 12th Generation Intel® Core™ i3 on-board Processor,TDP 15W,8GB LPDDR4 on-board, without WiFi&Bluetooth module, PCAP touch,12V DC,R10
AFL4-12-ADL-P-CE/ W/8G-R10	12.1" 500cd/m <sup>2</sup> 1024x768 Fanless Panel PC with 12th Generation Intel® Celeron® G on-board Processor,TDP 15W,8GB LPDDR4 on-board, without WiFi&Bluetooth module, PCAP touch,12V DC,R10

## Options

Part No	Description
-	TBD
-	TBD
-	TBD
-	TBD
-	TBD