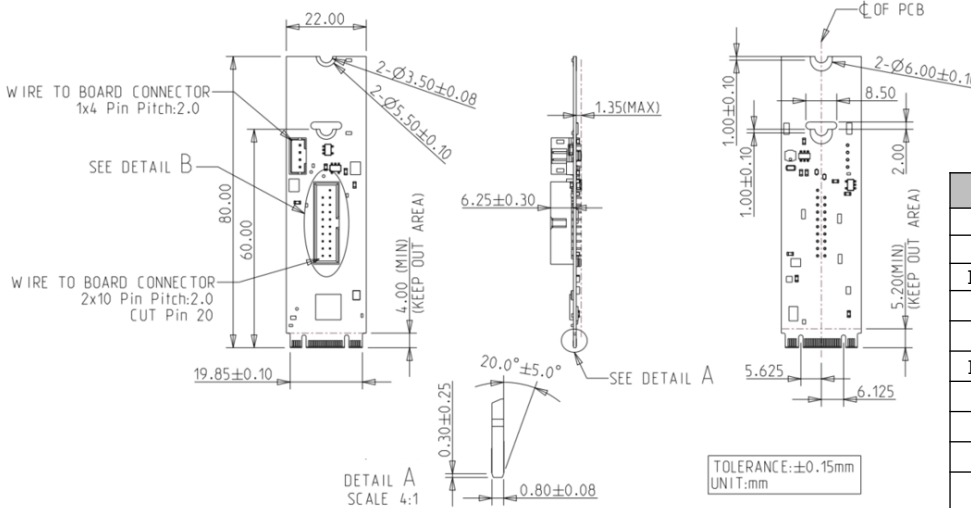


Features

- Alternative M.2 2260 or 2280 B-M key
- Compliant with PCI Express Base Specification Revision 2.0
- Compliant with USB 3.0 Specification Revision 1.0, up to 5 Gbs
- Compliant with xHCI 1.0
- Supports 2 USB 3.0 ports (Share PCIe Gen2 x1 bandwidth)
- Supports each USB port output power up to 5V 900ma with external power in (200mA per port without external power)
- Complies with EN61000-4-2 (ESD) Air-15kV, Contact-8kV
- Optional Industrial Temperature (-40°C to +85°C) support

Mechanical Drawing



USB 3.0 Pin Assignment

Signal	Pin	Pin	Signal
Vbus	1		
IntA_P1_SSRX-	2	19	Vbus
IntA_P1_SSRX+	3	18	IntA_P1_SSRX-
GND	4	17	IntA_P2_SSRX+
IntA_P1_SSTX-	5	16	GND
IntA_P1_SSTX+	6	15	IntA_P2_SSTX-
GND	7	14	IntA_P2_SSTX+
IntA_P1_D-	8	13	GND
IntA_P1_D+	9	12	IntA_P2_D-
	10	11	IntA_P2_D+

Specifications

Order Information

- EGPU-3201-C1**
M.2 2260 to dual USB 3.0 Module
- EGPU-3201-C2**
M.2 2280 to dual USB 3.0 Module
- EGPU-3201-W1**
M.2 2260 to dual USB 3.0 Module W/T
- EGPU-3201-W2**
M.2 2280 to dual USB 3.0 Module W/T

Form-Factor	M.2 2260/2280 B+M Key
Input I/F	PCI Express 2.0
Output I/F	USB 3.0
Output Connector	19 Pin header
Power Consumption	MAX 1W (3.3V x 303mA)
Dimension (WxLxH)	22.0 x 60.0 x 8.4 mm 22.0 x 80.0 x 8.4 mm
Temperature	Operation: STD: 0°C ~ +70°C. WT: -40°C ~ +85°C Storage: -55°C ~ +95°C
Environment	Vibration: 5G @7~2000Hz, Shock: 50G @ 0.5ms
Notes	Please download driver from MyInnodisk website. Windows: XP(32 bit), 7(32/64 bit), Vista Linux: Kernel v2.6.0, v2.6.8 *After Win8 and Linux Kernel v2.6.31 supports built-in xHCI 1.0.

October 27, 2021

Distributore Autorizzato per l'Italia:

Contradata Milano S.r.l.

Via Solferino 12, 20900 Monza (MB) - Italy

Tel: (+39) 039-230.14.92 | Email: info@contradata.it