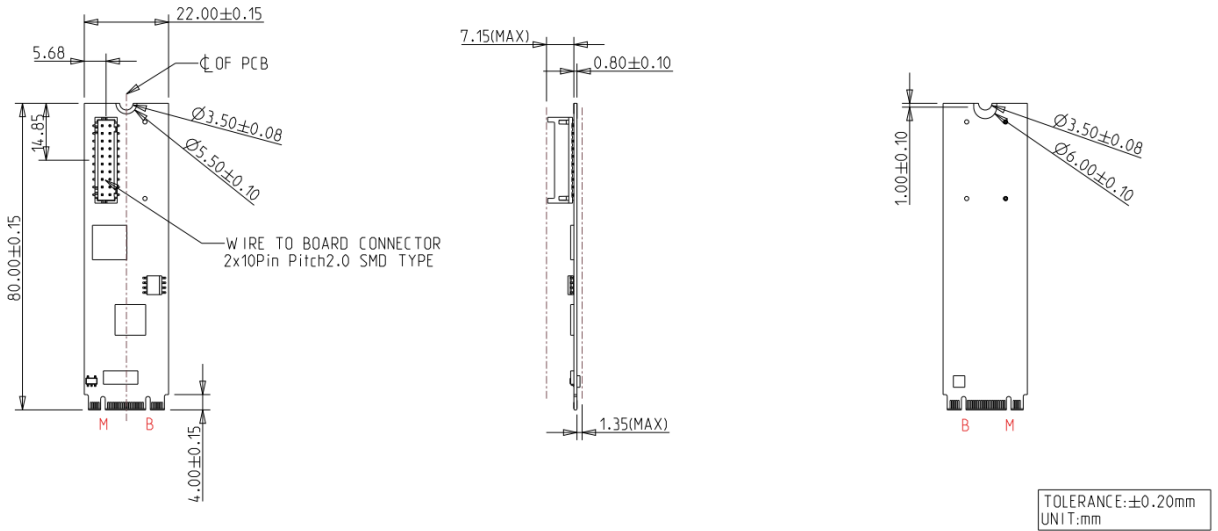


Features

- Single isolated GbE LAN port
- Complies with EN61000-4-5 2kV Surge protection
- Complies with IEC 60950-1:2005 + A1: 2009 + A2:2013 2kV HiPOT protection
- Complies with EN61000-4-2 (ESD) Air-15kV, Contact-8kV
- Flexible daughter board with cable to fit into different system
- Optional terminal mounting hole or bracket for daughter board
- Optional Industrial Temperature (-40°C to +85°C) support
- 30μ " golden finger, 3 years warranty
- Industrial design, manufactured in Innodisk Taiwan

Mechanical Drawing



Specifications

Form-Factor	M.2 2280 B-M
Input I/F	PCI Express 2.1 x 1
Output I/F	Single GbE LAN
Output Connector	RJ45 x 1
TDP	0.66W (3.3V x 200mA)
Dimension (WxLxH)	22 x 80 x 9.3 mm
Temperature	Operation: STD: 0°C ~ +70°C. W/T: -40°C ~ +85°C Storage: -55°C ~ +95°C
Environment	Vibration: 5G @7~2000Hz, Shock: 50G @ 0.5ms
Notes	Please download driver from MyInnodisk website. Windows: XP(32bit), 7(32/64bit), 8/8.1(32/64 bit), 10(32/64bit) Linux: kernel 2.4 series, 2.6.x and 3.x version.

Order information

M.2 to Single GbE LAN Module

- EGPL-G101-C1 (Terminal mounting hole, Standard Temp.) à
- EGPL-G101-W1 (Terminal mounting hole, Wide Temp.)
- EGPL-G101-C2 (Bracket, Standard Temp.)
- EGPL-G101-W2 (Bracket, Wide Temp.)

Distributore Autorizzato per l'Italia:

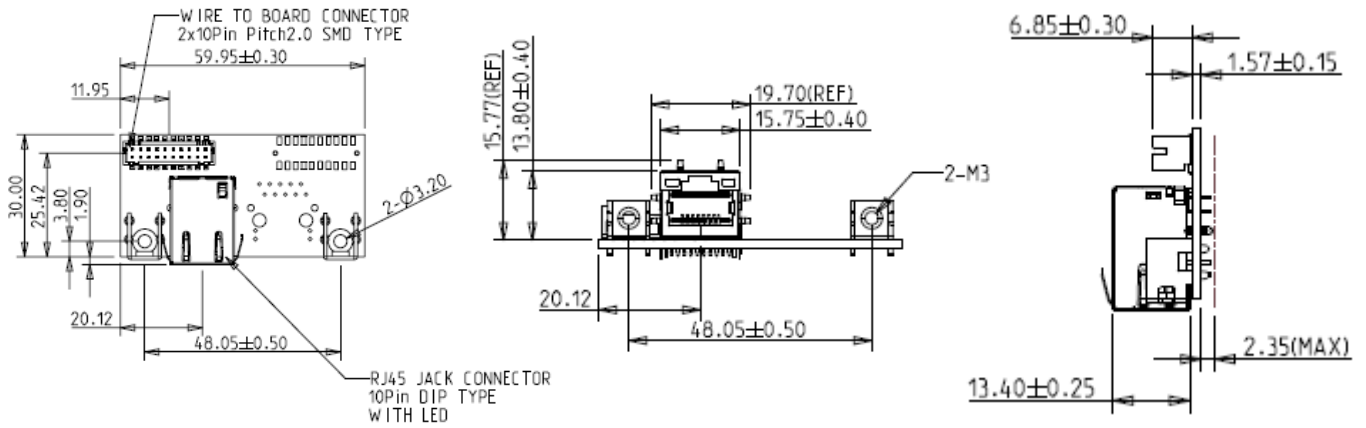
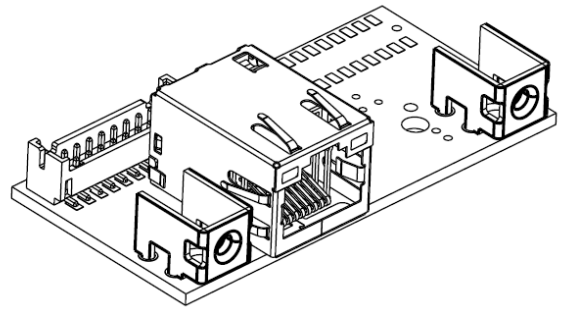
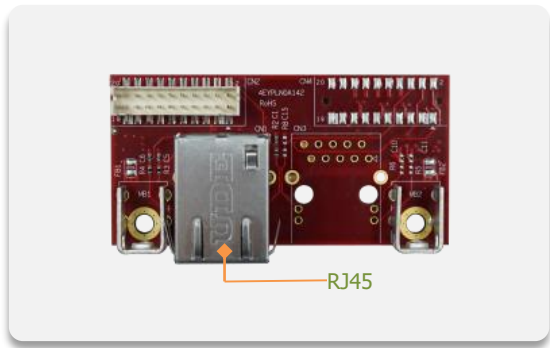
Contradata Milano S.r.l.

Via Solferino 12, 20900 Monza (MB) - Italy

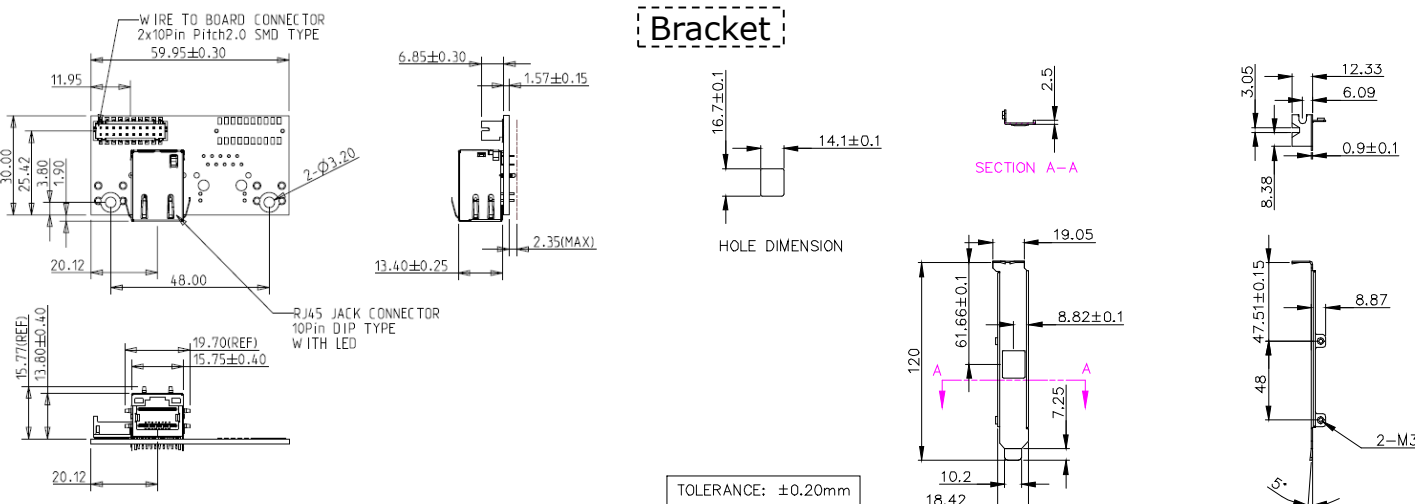
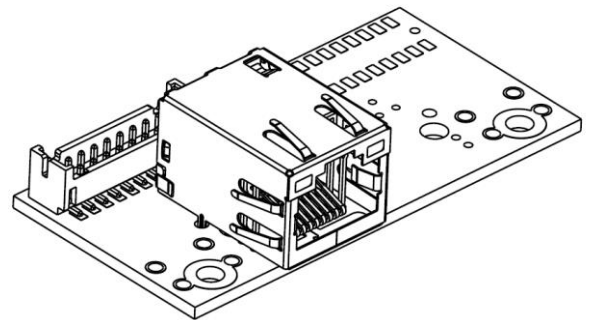
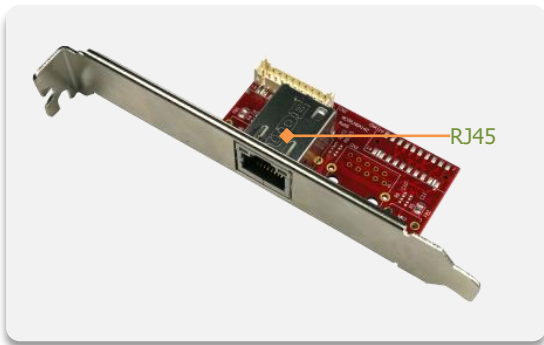
Tel: (+39) 039-230.14.92 | Email: info@contradata.it



EGPL-G101-C1/W1 Daughter Board and Mechanical Drawing



EGPL-G101-C2/W2 Daughter Board and Mechanical Drawing



Distributore Autorizzato per l'Italia:

Contradata Milano S.r.l.

Via Solferino 12, 20900 Monza (MB) - Italy

Tel: (+39) 039-230.14.92 | Email: info@contradata.it

innodisk



www.contradata.it