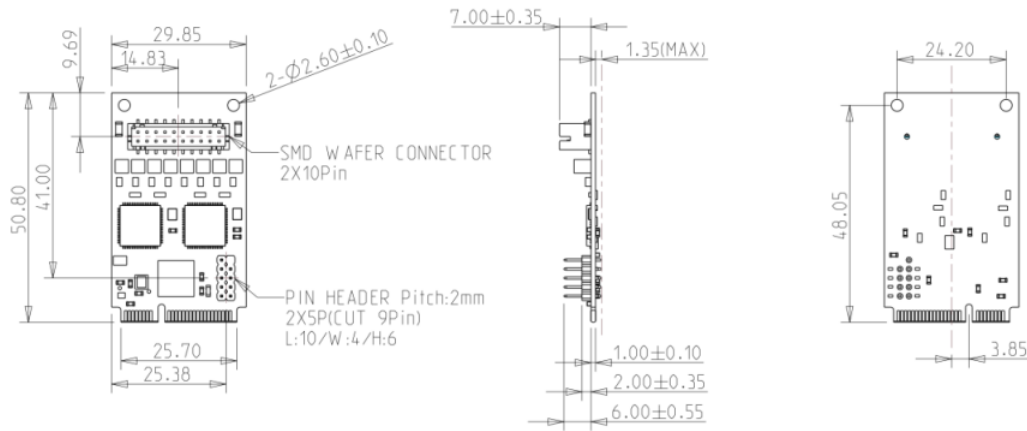


### Features

- Intel i210 chip. Dual GbE LAN ports
- Complies with EN61000-4-2 (ESD) Air-15kV, Contact-8kV
- Transformer on PCB for flexible cable design
- External LED indicator pin for speed 10/100/1000
- Optional Industrial Temperature (-40°C to +85°C) support
- 30μ" golden finger, 3-year warranty
- Industrial design, manufactured in innodisk Taiwan

### Mechanical Drawing



### Specifications

Form-Factor	mPCIe
Input I/F	PCI Express 2.1 x 1
Output I/F	Dual GbE LAN
Output Connector	RJ45 x 2
TDP	2W (3.3V, 605mA)
Dimension (WxLxH)	29.85 x 50.8 x 9.35 mm
Temperature	Operation: STD: 0°C ~ +70°C. W/T: -40°C ~ +85°C Storage: -55°C ~ +95°C
Environment	Vibration: 5G @7~2000Hz, Shock: 50G @ 0.5ms
Notes	Please download driver from MyInnodisk website. Windows: XP(32bit), 7(32/64bit), 8/8.1(32/64 bit), 10(32/64bit) Linux: kernel 2.4 series, 2.6.x, 3.x and above version

© 2019 Innodisk Corporation. All right reserved. Specifications are subject to change without prior notice.

June 5, 2019

### Order information

**EMPL-G203-C1 (Standard Temp.)** **EMPL-G203-W1 (Wide Temp.)** mPCIe to Dual GbE LAN Module

Distributore Autorizzato per l'Italia:

**Contradata Milano S.r.l.**

Via Solferino 12, 20900 Monza (MB) - Italy

Tel: (+39) 039-230.14.92 | Email: info@contradata.it