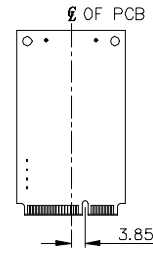
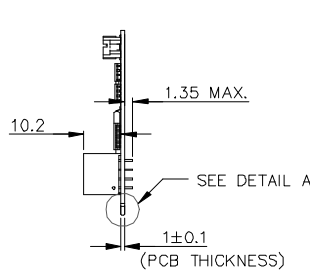
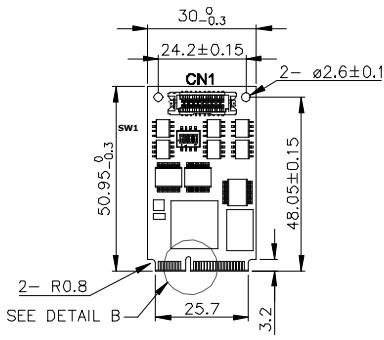


Features

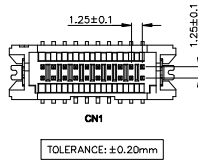
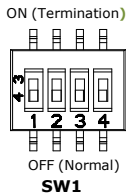
- PCI-Express specification Rev. 2.0 compliant
- 4800 to 3Mbps serial data rate. 16C550 compatible. 256-byte FIFOs
- Supports port-to-computer isolation, complies with IEC 60950-1:2005 + A1: 2009 + A2:2013 2.5kV HiPOT protection
- Complies with EN61000-4-2 (ESD) Air-15kV, Contact-8kV
- Termination Resistor by dip switch setting
- Industrial temperature(-40 °C to 85 °C) operation
- 30µ " golden finger, 3 years warranty

Mechanical Drawing



Pin Assignment

RS-485/RS-422 Full duplex	Pin	RS-485 Half duplex
	1	
TX+	2	D+
RX+	3	
	4	
GND	5	GND
	6	
RX-	7	
TX-	8	D-
	9	



Specifications

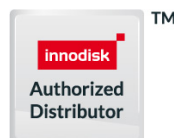
Form-Factor	mPCIe
Input I/F	PCI Express 2.0
Output I/F	RS-422 x 2, RS-485 x 2
Output Connector	DB-9 x 4
TDP	0.58W (3.3V x 175mA)
Dimension (WxLxH)	30 x 50.9 x 12.55mm
Temperature	Operation: W/T: -40°C ~ +85°C Storage: -55°C ~ +95°C
Environment	Vibration: 5G @7~2000Hz, Shock: 50G @ 0.5ms
Notes	Please download driver from MyInnodisk website. Windows: XP(32 bit), 7(32/64 bit), 8/8.1(32/64 bit), 10, WES7, CE7.0 Linux: Kernel 2.6.x and above.(We can provide Linux source for modification.)

Distributore Autorizzato per l'Italia:

Contradata Milano S.r.l.

Via Solferino 12, 20900 Monza (MB) - Italy

Tel: (+39) 039-230.14.92 | Email: info@contradata.it



www.contradata.it

Order information

EMP2-X4S2-W1(Wide Temp.)
mPCIe to two Isolated RS-422 & RS-485 Module