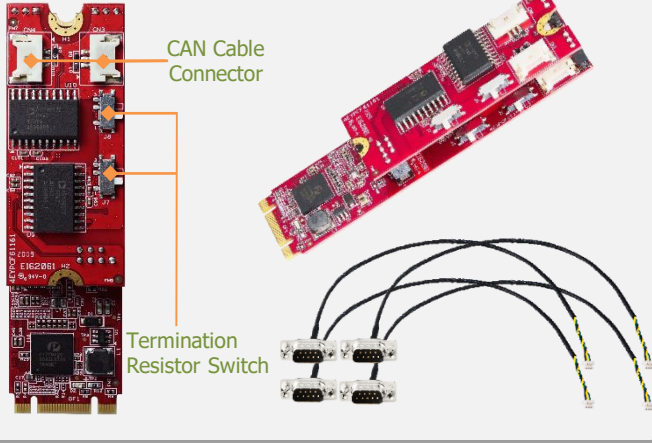
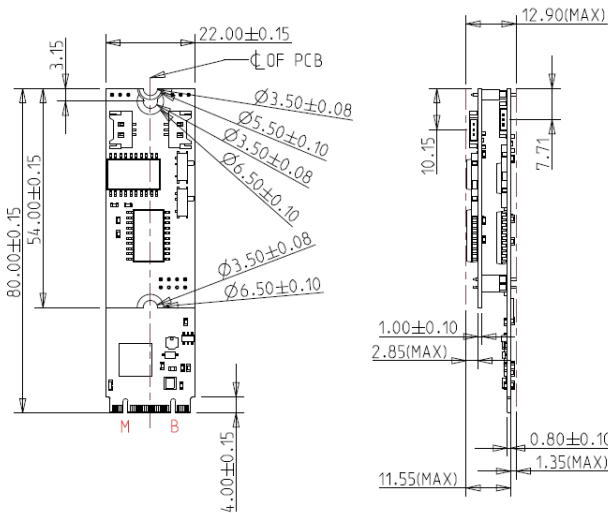


Features



- Compliant with PCI Express 1.1
- Meet the Requirements of the ISO 11898-1
- CAN bus 2.0B backward compatible with 2.0A
- Support baud rate 10/20/50/100/250/500/800/1000K
- Support CAN message acceptance filter
- Support Linux SocketCAN
- Compliant with IEC 60950-1:2005 + A1: 2009 + A2:2013 2.5kV HiPOT protection
- Compliant with EN61000-4-2 (ESD) Air-15kV, Contact-8kV
- Termination resistor enabled/disabled by switch
- 30μ" golden finger, 3-year warranty
- Industrial Temperature (-40°C to +85°C) support
- Industrial design, manufactured in Innodisk Taiwan



Mechanical Drawing



3pin CAN Connector Pin Define		CAN DB9 Connector Pin Define	
1	CAN-L	1	NC
2	CAN-H	2	CAN-L
3	GND	3	GND
		4	NC
		5	NC
		6	NC
		7	CAN-H
		8	NC
		9	NC

Slide Switch (Termination Resistor)	
1	ON 
3	OFF 

Specifications

Form-Factor	M.2 2280 B-M
Input I/F	PCI Express 1.1
Output I/F	CAN bus 2.0B
Output Connector	DB-9 x 4
Power Consumption	MAX: 4.3W (3.3V, 1310mA)
Dimension (WxLxH)	22 x 80 x 12.9 mm
Temperature	Operation: W/T: -40°C ~ +85°C Storage: -55°C ~ +95°C
Environment	Vibration: 5G @7~2000Hz, Shock: 50G @ 0.5ms
Notes	Download driver and API from MyInnodisk website. Windows: 7(32/64bit), 8/8.1(32/64bit), 10(32/64bit) Linux: SocketCAN driver from Kernel 2.6.38 and above (32/64bit)

Order information

EGPC-B4S1-W1

M.2 to four isolated CAN bus 2.0B Module

Distributore Autorizzato per l'Italia:

Conradata Milano S.r.l.

Via Solferino 12, 20900 Monza (MB) - Italy

Tel: (+39) 039-230.14.92 | Email: info@conradata.it

