

Datasheet

# EDC 1SE2 series

- iSMART disk health monitoring
- Intelligent error recovery system
- Excellent data transfer speed
- Write protection security
- Enhanced power cycling management



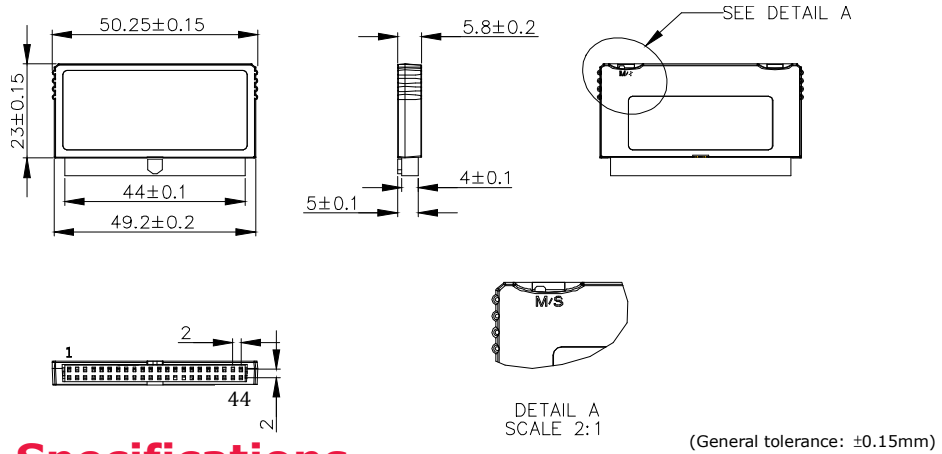
## Introduction

The Innodisk Embedded DISK CARD 1SE2 (EDC 1SE2) products provide high capacity solid-state flash memory that electrically complies with the Personal Computer Memory Card International Association ATA standard. Innodisk Embedded DISK CARD 1SE2 (EDC 1SE2) is embedded solid-state data storage systems for industrial work place. Embedded DISK CARD 1SE2 (EDC 1SE2) features an extremely light weight, reliable, low-profile form factor.

Embedded DISK CARD 1SE2 (EDC 1SE2) supports advanced PIO (0-6), Multi Word DMA (0-4), Ultra DMA (0-6) transfer modes, multi-sector transfers, and LBA addressing

# EDC 1SE2 series

## Drawing



## Specifications

Interface	PATA
Flash Type	SLC
Capacity	8GB~32GB
Max. Channels	2
Sequential R/W (MB/sec, max.)	110/75
Max. Power Consumption	0.76W(3.3V x 230mA)
Thermal Sensor	ST- optional/ WT-default
External DRAM Buffer	-
H/W Write Protect	Optional
ATA Security	√
S.M.A.R.T.	√
Dimension (WxLxH)	50.3 X 27.3 X 5.8 mm
Environment	Vibration: 20G @7~2000Hz Shock: 1500G @ 0.5ms Storage Temperature: -55°C ~ +95°C MTBF: 3 million hours

## Ordering Information

Operation Temp.	8GB	16GB	32GB
Standard Grade (0°C ~ +70°C)	DEE4H-08GD53AC1DB	DEE4H-16GD53AC1DB	DEE4H-32GD53AC1DB
Industrial Grade (-40°C ~ +85°C)	DEE4H-08GD53AW1DB	DEE4H-16GD53AW1DB	DEE4H-32GD53AW1DB