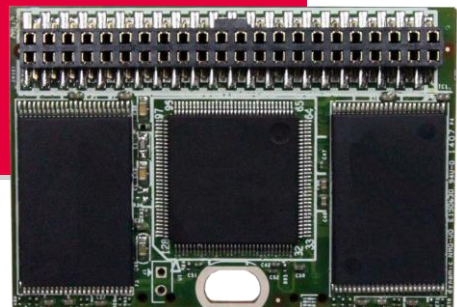


Datasheet

EDC 1SE series

- iSMART disk health monitoring
- Intelligent error recovery system
- Excellent data transfer speed
- Write protection security
- Enhanced power cycling management



Introduction

The Innodisk Embedded DISK CARD 1SE (EDC 1SE) products provide high capacity solid-state flash memory that electrically complies with the Personal Computer Memory Card International Association ATA standard. Innodisk Embedded DISK CARD 1SE (EDC 1SE) is embedded solid-state data storage systems for industrial work place. Embedded DISK CARD 1SE (EDC 1SE) features an extremely light weight, reliable, low-profile form factor.

Embedded DISK CARD 1SE (EDC 1SE) supports advanced PIO (0-4), Multi Word DMA (0-2), Ultra DMA (0-4) transfer modes, multi-sector transfers, and LBA addressing

innodisk

Distributore Autorizzato per l'Italia:

Contradata Milano S.r.l.

Via Solferino 12, 20900 Monza (MB) - Italy

Tel: (+39) 039-230.14.92 | Email: info@contradata.it



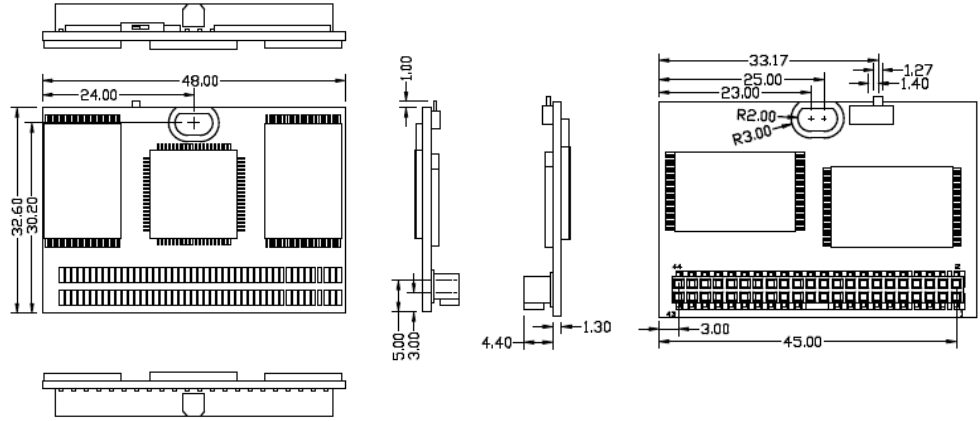
www.contradata.it

Contact us for more information about the EDC 1SE

Innodisk is a service-driven provider of industrial embedded flash and DRAM storage products and technologies, with a focus on the cloud computing, industrial/embedded, and aerospace and defense industries.

EDC 1SE series

Diagram



Specifications

Interface	PATA
Flash Type	SLC
Capacity	512MB~8GB
Max. Channels	2
Sequential R/W (MB/sec, max.)	40/28
Max. Power Consumption	0.76W(3.3V x 230mA)
Thermal Sensor	ST- optional/ WT-default
External DRAM Buffer	-
H/W Write Protect	Optional
ATA Security	√
S.M.A.R.T.	√
Dimension (WxLxH)	48X 32.6 X 7.3 mm
Environment	Vibration: 20G @7~2000Hz Shock: 1500G @ 0.5ms Storage Temperature: -55°C ~ +95°C MTBF: 3 million hours

© 2018 Innodisk Corporation. All right reserved. Specifications are subject to change without prior notice.

20180222

Ordering Information

Operation Temp.	512MB	1GB	2GB	4GB	8GB
Standard Grade (0°C ~ +70°C)	DE4P%- 512D41AC1SB	DE4P%- 01GD41AC1DB	DE4P%- 02GD41AC1DB	DE4P%- 04GD41AC1DB	DE4P%- 08GD41AC1DB
Industrial Grade (-40°C ~ +85°C)	DE4P%- 512D41AW1SB	DE4P%- 01GD41AW1DB	DE4P%- 02GD41AW1DB	DE4P%- 04GD41AW1DB	DE4P%- 08GD41AW1DB

%=A~F, refer to horizontal Type A~F, see the detailed mechanism in TPS.



Distributore Autorizzato per l'Italia:

Contradata Milano S.r.l.

Via Solferino 12, 20900 Monza (MB) - Italy

Tel: (+39) 039-230.14.92 | Email: info@contradata.it



www.contradata.it