

Datasheet

SATA Slim 3MV2-P series

- SATA III solution for industrial field
- High IOPS solution
- iData Guard protection
- iSMART disk health monitoring
- Intelligent error recovery system
- Excellent data transfer speed
- Zero mechanical interference
- Compatible with JEDEC MO-297 standard



Introduction

InnoREC is innodisk's proprietary flash feature set designed specifically for surveillance applications. Through the smart integration of firmware and hardware, the speed and performance required by modern surveillance solutions is fully met. SATA Slim 3MV2-P products provide high capacity flash memory Solid State Drive (SSD) that electrically complies with Serial ATA (SATA) standard. It supports SATA III standard (6.0GHz) with high performance and supports several features, including REC line, iData Guard, Quick Erase, Thermal sensor, and S.M.A.R.T.

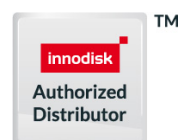
innodisk

Distributore Autorizzato per l'Italia:

Contradata Milano S.r.l.

Via Solferino 12, 20900 Monza (MB) - Italy

Tel: (+39) 039-230.14.92 | Email: info@contradata.it

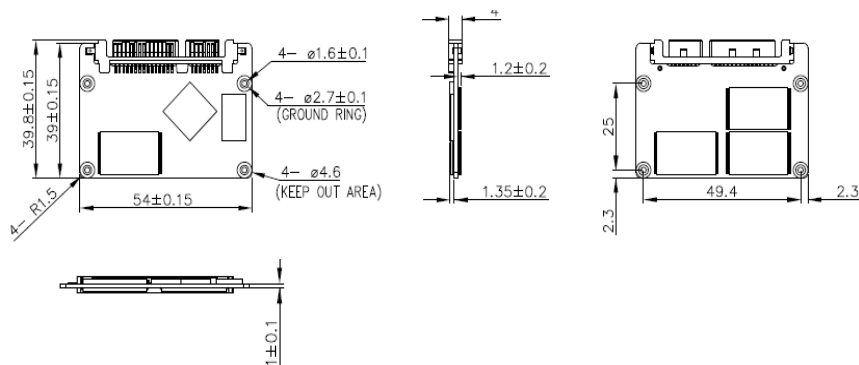


www.contradata.it

SATA Slim 3MV2-P series Drawing

Contact us for more information
about the SATA Slim 3MV2-P

Innodisk is a service-driven provider of industrial embedded flash and DRAM storage products and technologies, with a focus on the industrial/embedded, aerospace and defense, and cloud computing industries.



Interface	SATA III
Flash Type	MLC
Capacity	8GB~512GB
Max. Channels	4
Sequential R/W (MB/sec, max.)*	520/460 (steady performance refer to TPS)
4KB Random (QD32) R/W (IOPS)**	75,000/79,000
Max. Power Consumption	2.6W (5V x 520 mA)
Thermal Sensor	√
External DRAM Buffer	√
H/W Write Protect	Optional
Pin7 Power	-
ATA Security	√
S.M.A.R.T.	√
DEVSLP Mode	√ (min. power consumption 3mW)
Slumber Mode	√ (min. power consumption 30mW)
Dimension (WxLxH)	54.0 X 39.0 X 4.0 mm
Environment	Vibration: 20G @7~2000Hz Shock: 1500G @ 0.5ms Storage Temperature: -55°C ~ +95°C MTBF: 3 million hours
* Sequential performance based on CystalDiskMark 5.05 with file size 1000MB	
** Random performance based on Iometer with Queue Depth 32	

© 2017 Innodisk Corporation.
All right reserved. Specifications
are subject to change without
prior notice.

20170619

Ordering Information

Operation Temp.	8GB	16GB	32GB	64GB	128GB	256GB	512GB
Standard Grade (0°C ~+70°C)	DVSLM-08GD81BC1SC	DVSLM-16GD81BC1SC DVSLM-16GD81BC1DC	DVSLM-32GD81BC1DC DVSLM-32GD81BC1QC	DVSLM-64GD81BC1QC	DVSLM-A28D81BC1QC	DVSLM-B56D81BC1QC	DVSLM-C12D81BCAQC
Industrial Grade (-40°C ~+85°C)	DVSLM-08GD81BW1SC	DVSLM-16GD81BW1SC DVSLM-16GD81BW1DC	DVSLM-32GD81BW1DC DVSLM-32GD81BW1QC	DVSLM-64GD81BW1QC	DVSLM-A28D81BW1QC	DVSLM-B56D81BW1QC	DVSLM-C12D81BWAQC

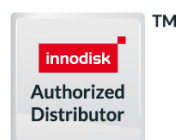


Distributore Autorizzato per l'Italia:

Contradata Milano S.r.l.

Via Solferino 12, 20900 Monza (MB) - Italy

Tel: (+39) 039-230.14.92 | Email: info@contradata.it



www.contradata.it