

Datasheet

# USB Drive

## 2ME series

- Cost-effective MLC
- Excellent data transfer speed
- Wear-leveling supported
- Low power consumption
- Metal Housing for ESD proof
- Connector plated with 30μ" gold



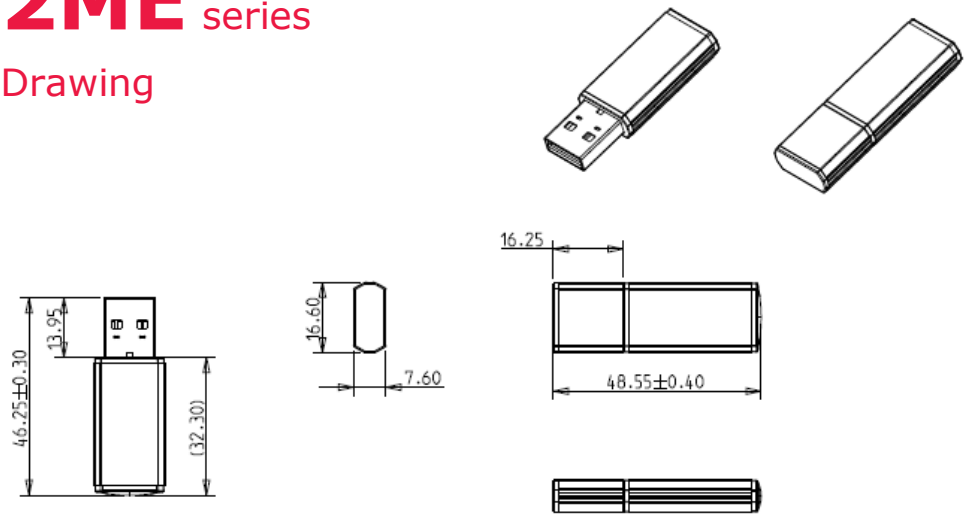
### Introduction

The Innodisk USB Drive products provide high capacity USB flash memory storage that electrically complies with High-speed USB 2.0 interface & backward compatible with USB 1.1. The device features attractive small form factor and the connectivity over USB2.0 and the NAND flash architecture provide a faster data transmission.

# USB Drive

## 2ME series

### Drawing



## Specifications

Interface	USB 2.0
Flash Type	MLC
Connector	Type A
Capacity	8GB~32GB
Max. Channels	1
Sequential R/W (MB/sec, max.)	25 / 17
Max. Power Consumption	0.85 W (5V X 170mA)
H/W Write Protect	-
S.M.A.R.T.	-
Dimension (WxLxH)	16.58 x 45.88 x 7.48 mm
Environment	Vibration: 5G @7~2000Hz Shock: 50G @ 0.5ms Storage Temperature: -40°C ~ +85°C MTBF: 3 million hours

20211005

## Ordering Information

Operation Temp.	8GB	16GB	32GB
Standard Grade (0°C ~ +70°C)	DEUA1-08GI72BC1SC	DEUA1-16GI72BC1SC	DEUA1-32GI72BC1SC
Industrial Grade (-40°C ~ +85°C)	DEUA1-08GI72BW1SC	DEUA1-16GI72BW1SC	DEUA1-32GI72BW1SC

**innodisk**

Distributore Autorizzato per l'Italia:

Contradata Milano S.r.l.

Via Solferino 12, 20900 Monza (MB) - Italy

Tel: (+39) 039-230.14.92 | Email: info@contradata.it



[www.contradata.it](http://www.contradata.it)