

Datasheet

USB Drive

2SE series

- Excelent data transfer speed
- Wear-leveling supported
- Low power consumption
- Metal Housing for ESD proof
- Connector plated with 30μ" gold



Introduction

The Innodisk USB Drive products provide high capacity USB flash memory storage that electrically complies with High-speed USB 2.0 interface & backward compatible with USB 1.1. The device features attractive small form factor and the connectivity over USB2.0 and the NAND flash architecture provide a faster data transmission.

innodisk

Distributore Autorizzato per l'Italia:

Contradata Milano S.r.l.

Via Solferino 12, 20900 Monza (MB) - Italy

Tel: (+39) 039-230.14.92 | Email: info@contradata.it



www.contradata.it

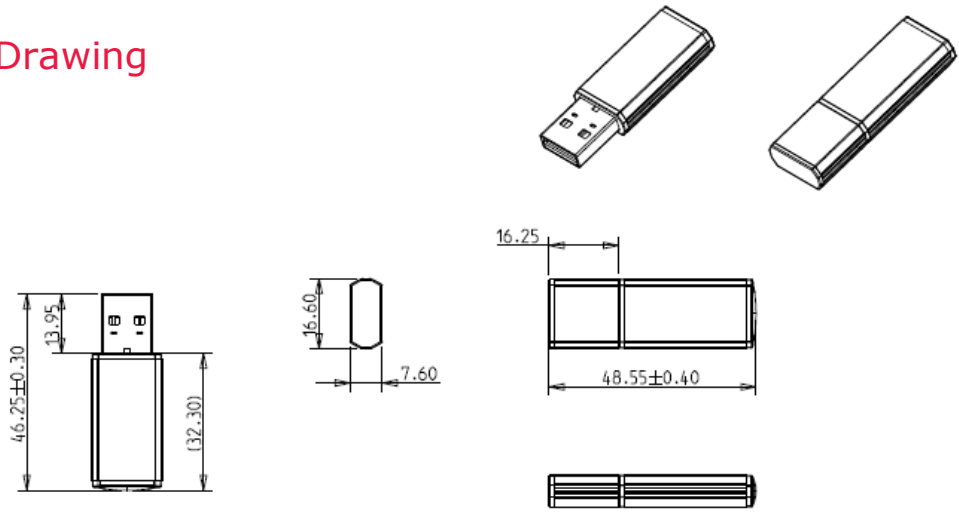
USB Drive

2SE series

Drawing

Contact us for more information about the USB Drive 2SE

Innodisk is a service-driven provider of industrial embedded flash and DRAM storage products and technologies, with a focus on the cloud computing, industrial/embedded, and aerospace and defense industries.



Specifications

Interface	USB 2.0
Flash Type	SLC
Connector	Type A
Capacity	512MB~16GB
Max. Channels	1
Sequential R/W (MB/sec, max.)	28 / 24
Max. Power Consumption	0.85 W (5V X 170mA)
H/W Write Protect	-
S.M.A.R.T.	-
Dimension (WxLxH)	16.58 x 45.88 x 7.48 mm
Environment	Vibration: 5G @7~2000Hz Shock: 50G @ 0.5ms Storage Temperature: -40°C ~ +85°C MTBF: 3 million hours

© 2021 Innodisk Corporation. All right reserved. Specifications are subject to change without prior notice.

20211005

Ordering Information

Operation Temp.	512MB	1GB	2GB	4GB	8GB	16GB
Standard Grade (0°C ~ +70°C)	DEUA1-512I72AC1SB	DEUA1-01GI72AC1SB	DEUA1-02GI72AC1SB	DEUA1-04GI72AC1SB	DEUA1-08GI72AC1SB	DEUA1-16GI72AC1SB
Operation Temp.	512MB	1GB	2GB	4GB	8GB	16GB
Industrial Grade (-40°C ~ +85°C)	DEUA1-512I72AW1SB	DEUA1-01GI72AW1SB	DEUA1-02GI72AW1SB	DEUA1-04GI72AW1SB	DEUA1-08GI72AW1SB	DEUA1-16GI72AW1SB

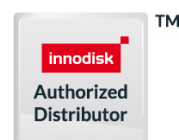
innodisk

Distributore Autorizzato per l'Italia:

Contradata Milano S.r.l.

Via Solferino 12, 20900 Monza (MB) - Italy

Tel: (+39) 039-230.14.92 | Email: info@contradata.it



www.contradata.it