

Datasheet

USB DRIVE 3ME series

- High performance with USB 3.0 interface
- Low power consumption
- Wear-Leveling supported
- ECC engine with correction capability up to 60-bit/1024-Byte
- Metal housing to enhance ESD protection
- 30 μ golden finger for highly reliable data transfer quality



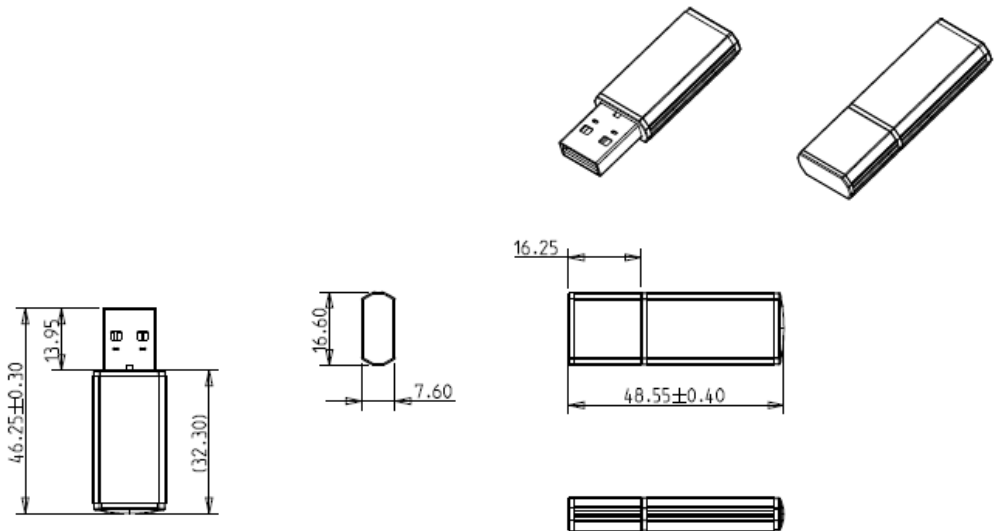
Introduction

The Innodisk USB Drive products provide high capacity USB flash memory storage that electrically complies with High-speed USB3.0 interface & backward compatible with USB 1.1 and 2.0. The device features attractive small form factor and the connectivity over USB3.0 and the NAND flash architecture provide a faster data transmission.

USB DRIVE

3ME series

Diagram



Headquarters (Taiwan)

5F., No.237, Sec. 1, Datong Rd.,
Xizhi Dist., New Taipei City,
Taiwan (R.O.C.)

Tel: +886-2-26963000
Email: sales@innodisk.com

Branch Offices:

USA
usasales@innodisk.com

Specifications

Interface	USB 3.0
Flash Type	MLC
P/E cycle	3,000
Capacity	4GB~32GB
Max. Channels	1
Sequential R/W (MB/sec, max.)	100 / 50
Max. Power Consumption	0.70 W (5V x 140 mA)
Thermal Sensor	-
External DRAM buffer	-
H/W Write Protect	-
ATA Security	-
S.M.A.R.T.	√
Dimension (WxLxH)	16.60 X 48.55 X 7.60 mm
Environment	Vibration: 20G @7~2000Hz Shock: 1500G @ 0.5ms Storage Temperature: -40°C ~ +85°C MTBF: 3 million hours

20211215

Ordering Information

Operation Temp.	4GB	8GB	16GB	32GB
Standard Grade (0°C ~ +70°C)	DEUA1-04GI61SC1SC	DEUA1-08GI61SC1SC	DEUA1-16GI61SC1SC	DEUA1-32GI61SC1SC
Industrial Grade (-40°C ~ +85°C)	DEUA1-04GI61SW1SC	DEUA1-08GI61SW1SC	DEUA1-16GI61SW1SC	DEUA1-32GI61SW1SC

innodisk

Distributore Autorizzato per l'Italia:

Contradata Milano S.r.l.

Via Solferino 12, 20900 Monza (MB) - Italy

Tel: (+39) 039-230.14.92 | Email: info@contradata.it



www.contradata.it