

Datasheet

MicroSD Card 3TE4 series

- SD 3.0 interface
- Support Class 10 with UHS-I
- Adopt 3D TLC NAND flash
- High performance
- Targeted for portable and stationary applications
- SMART function supported



Introduction

Innodisk MicroSD 3TE4 series, supporting class 10 with UHS-I, are specifically designed for industrial PC and embedded applications. The 3.0 series SD card has latest firmware architecture and Flash algorithms, including superior wear leveling, and read disturb management ensuring highest reliability and endurance.

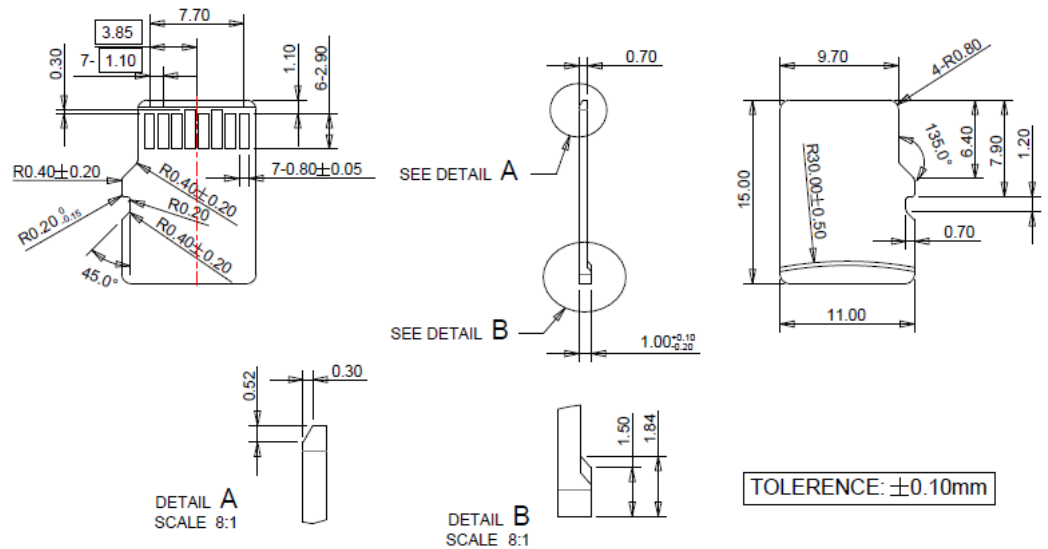
Innodisk MicroSD 3TE4 series provide wide range capacities from 32GB to 512GB with excellent quality TLC NAND Flash, and fully compliant to SD3.0, and SD2.0 specifications.

With its low power consumption and features above, Innodisk MicroSD 3TE4 series can be applied on industrial automation, SBC (single-board computer), medical equipment, infotainment, and mobile application.

MicroSD Card

3TE4 series

Diagram



Specifications

Interface	SD 3.0
Flash Type	3D TLC
Capacity	32GB~512GB
Max. Channels	1
Sequential R/W (MB/sec, max.)	75/31 (reference from MLC solution)
Max. Power Consumption	0.7W (reference from MLC solution)
Thermal Sensor	-
Extended DRAM buffer	-
H/W Write Protect	-
ATA Security	-
S.M.A.R.T.	Y
Dimension (WxLxH)	11.0 X 15.0 X 1.0 mm
Environment	Vibration: 20G @ 7~2000Hz Shock: 1500G @ 0.5ms Storage Temperature: -25°C ~ +85°C MTBF: 3 million hours

20210225

Ordering Information

Operation Temp.	32GB	64GB	128GB	256GB	512GB
Standard Grade (-25°C ~ +85°C)	DESDM-32GS06EE1SL	DESDM-64GS06GE1SL	DESDM-A28S06GE1SL	DESDM-B56S06GE1SL	DESDM-C12S06GE1SL
Industrial Grade (-40°C ~ +85°C)	DESDM-32GS06EW1SL	DESDM-64GS06GW1SL	DESDM-A28S06GW1SL	DESDM-B56S06GW1SL	DESDM-C12S06GW1SL

innodisk

Distributore Autorizzato per l'Italia:

Contradata Milano S.r.l.

Via Solferino 12, 20900 Monza (MB) - Italy

Tel: (+39) 039-230.14.92 | Email: info@contradata.it



www.contradata.it