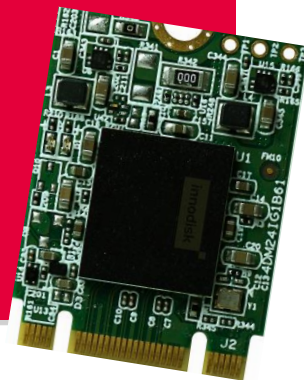


Datasheet

M.2 (P30)

3TE7 series

- PCIe Gen. III x2, NVMe 1.3
- DRAM-less Solution
- Hybrid Write Mode
- LDPC ECC engine supported.
- End-to-end Data Path Protection



Introduction

Innodisk M.2 (P30) 3TE7 is an NVM Express DRAM-less SSD designed as the standard M.2 form factor with PCIe interface. M.2 (P30) 3TE7 supports PCIe Gen III x2, and it is compliant with NVMe 1.3 providing excellent performance. Moreover, it adopts industrial 3D TLC NAND Flash providing high endurance and reliability. With sophisticated error detection and correction (ECC) functions, the module can ensure full End-to-end Data Path Protection that secures the data transmission between host system and NAND Flash.

Innodisk M.2 (P30) 3TE7 is integrated with a PCIe Gen III x2, 4-channel controller, which support HMB making the SSD optimal for space-constrained IPCs and server boot-up applications.

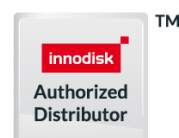
innodisk

Distributore Autorizzato per l'Italia:

Contradata Milano S.r.l.

Via Solferino 12, 20900 Monza (MB) - Italy

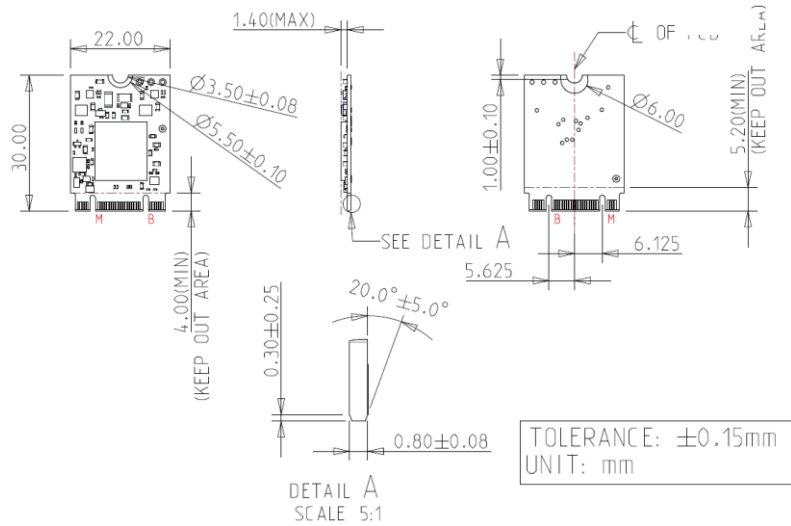
Tel: (+39) 039-230.14.92 | Email: info@contradata.it



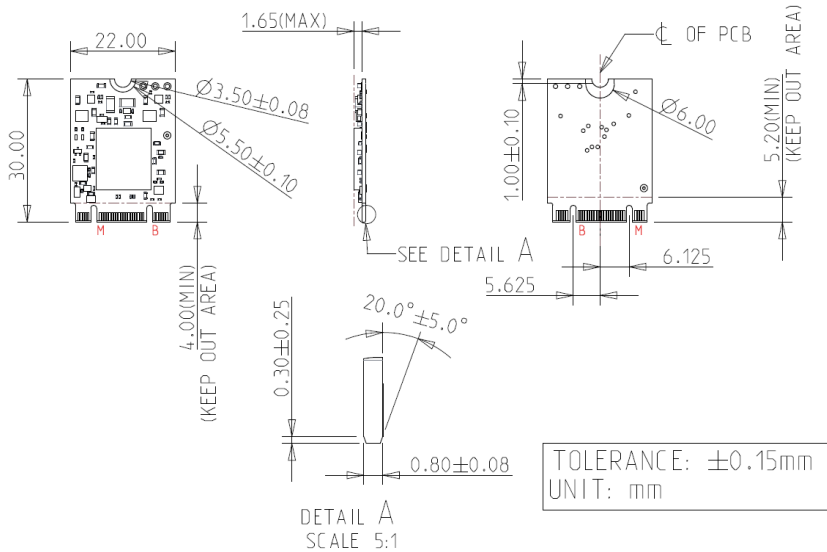
www.contradata.it

M.2 (P30) 3TE7 series

Diagram 32GB-256GB



512GB



© 2021 Innodisk Corporation.
All right reserved. Specifications are
subject to change without
prior notice.

20211001

innodisk

Distributore Autorizzato per l'Italia:

Contradata Milano S.r.l.

Via Solferino 12, 20900 Monza (MB) - Italy

Tel: (+39) 039-230.14.92 | Email: info@contradata.it



www.contradata.it

Specifications

Interface	PCIe Gen. III x2
Flash Type	3D TLC
P/E cycle	3,000
Capacity	32GB~512GB
Max. Channels	4
Sequential R/W (MB/sec, max.)	1650/1350
Max. Power Consumption	1.6W(3.3V, 470mA)
Thermal Sensor	√
External DRAM buffer	-
H/W Write Protect	-
Dimension (WxLxH)	22.0 X 30.0 X 2.5* mm (*See detailed in mechanical drawings)
Environment	Vibration: 20G @7~2000Hz Shock: 1500G @ 0.5ms Storage Temperature: -40°C ~ +85°C MTBF: 3,000,000 hour

Ordering Information

Operation Temp.	32GB	64GB	128GB	256GB	512GB
Standard Grade (0°C ~ +70°C)	DEM23-32GIG1ECASH	DEM23-64GIG1ECADH	DEM23-A28IG1ECAQH	DEM23-B56IG1ECAQH	DEM23-C12IG1ECAQH
Industrial Grade (-40°C ~ +85°C)	DEM23-32GIG1ECASH	DEM23-64GIG1EWADH	DEM23-A28IG1EWAQH	DEM23-B56IG1EWAQH	DEM23-C12IG1EWAQH

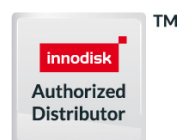


Distributore Autorizzato per l'Italia:

Contradata Milano S.r.l.

Via Solferino 12, 20900 Monza (MB) - Italy

Tel: (+39) 039-230.14.92 | Email: info@contradata.it



www.contradata.it