

Datasheet

# M.2 (P80) 3TG6-P series

- PCIe Gen. III x4, NVMe 1.3
- Excellent data transfer speed
- Stable sustained performance
- Heat-spreading design
- LDPC ECC engine supported.



## Introduction

Innodisk M.2 (P80) 3TG6-P is an NVM Express SSD designed as the standard M.2 form factor with PCIe interface and 3D TLC NAND Flash. M.2 (P80)3TG6-P supports PCIe Gen III x4, and it is compliant with NVMe 1.3 providing excellent performance. M.2 (P80) 3TG6-P with heat-spreading design dissipate heat generating from IC making SSD perform more steady. M.2 (P80) 3TG6-P have Die RAID protection to reduce bad blocks happening and optimize data integrity.

Innodisk M.2 (P80) 3TG6-P provides ultra-speed and high IOPS and offers maximum capacity up to 2TB, making the SSD optimal for server and heavy data workload applications.

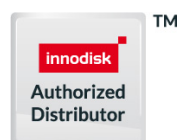
**innodisk**

Distributore Autorizzato per l'Italia:

**Contradata Milano S.r.l.**

Via Solferino 12, 20900 Monza (MB) - Italy

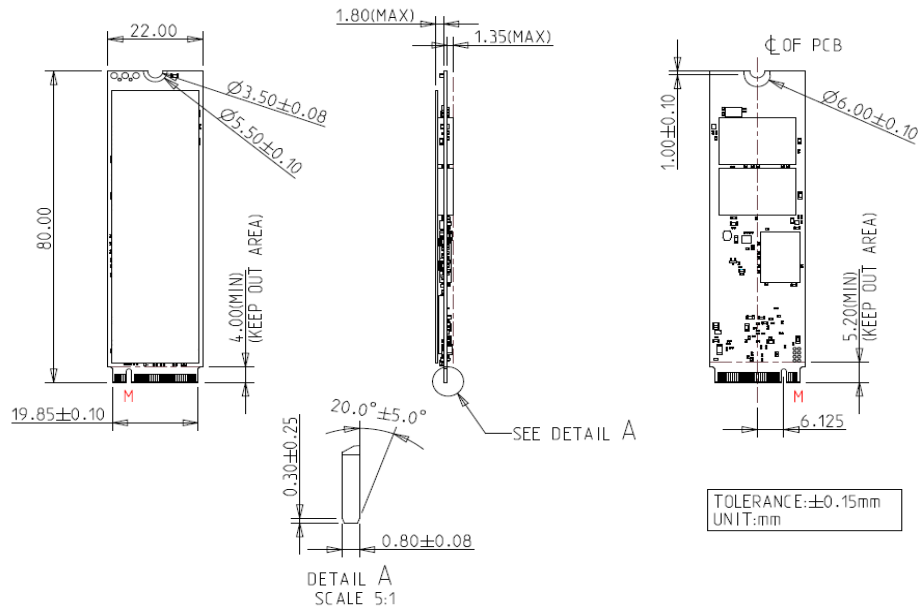
Tel: (+39) 039-230.14.92 | Email: info@contradata.it



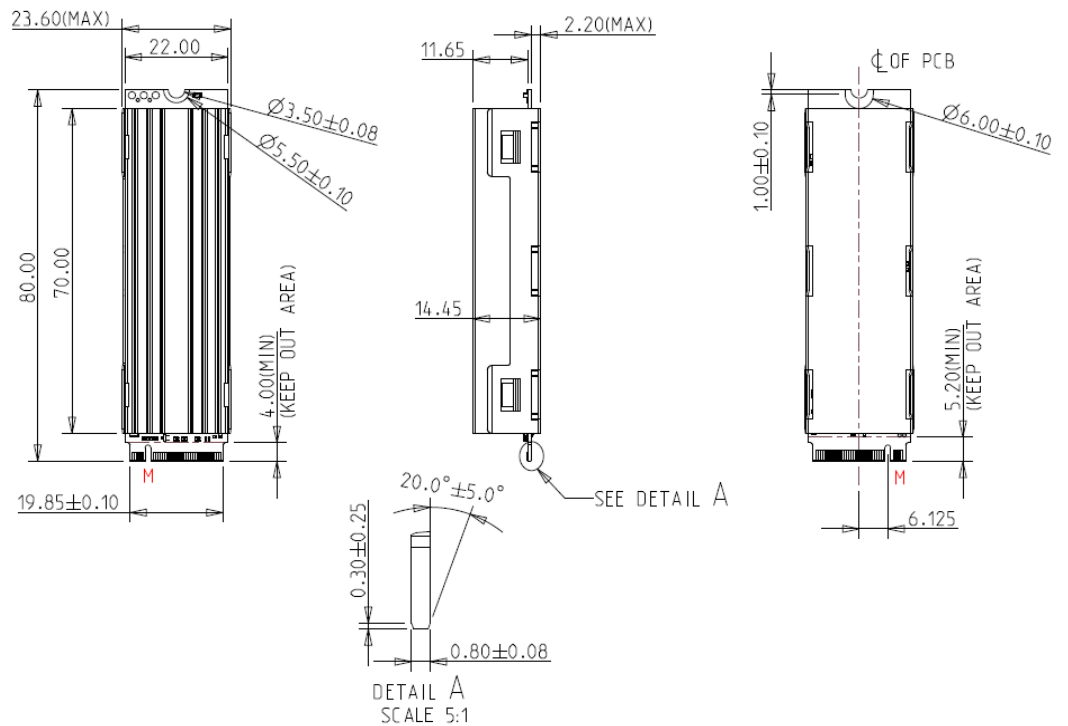
[www.contradata.it](http://www.contradata.it)

# M.2 (P80) 3TG6-P series

## Diagram(ST)



## Diagram(WT)



© 2022 Innodisk Corporation.  
All right reserved. Specifications are  
subject to change without  
prior notice.

20220103

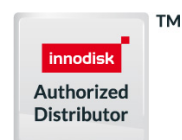
**innodisk**

Distributore Autorizzato per l'Italia:

Contradata Milano S.r.l.

Via Solferino 12, 20900 Monza (MB) - Italy

Tel: (+39) 039-230.14.92 | Email: info@contradata.it



[www.contradata.it](http://www.contradata.it)

# M.2 (P80)

## 3TG6-P series

### Diagram(ST)

Interface	PCIe Gen. III x4
Flash Type	3D TLC
P/E cycle	3,000
Capacity	64GB~2TB
Max. Channels	8
Sequential R/W (MB/sec, max.)	3,500/2,600
Max. Power Consumption	6.2W
Thermal Sensor	√
External DRAM buffer	√
H/W Write Protect	NA
Dimension (WxLxH)	ST with heat-spreading copper layer: 22.0 X 80.0 X 3.95 mm WT with heatsink: 23.6 X 80.0 X 14.45 mm (Pure M.2: 22.0 X 80.0 X 3.5 mm)
Environment	Vibration: 20G @7~2000Hz Shock: 1500G @ 0.5ms Storage Temperature: -40°C ~ +85°C MTBF: 3 million hours

© 2022 Innodisk Corporation.  
All right reserved. Specifications are  
subject to change without  
prior notice.

20220103

### Ordering Information

Operation Temp.	64GB	128GB	256GB	512GB	1TB	2TB
Standard Grade (0°C ~ +70°C)	DGM28-64GDC1ECADF	DGM28-A28DC1#CA%F	DGM28-B56DC1#CA%F	DGM28-C12DC1#CAEF	DGM28-01TDC1#CAEF	DGM28-02TDC1#CAEF
Industrial Grade (-40°C ~ +85°C)	DGM28-64GDC1EWADFH	DGM28-A28DC1EWAQFH	DGM28-B56DC1EWAEFH	DGM28-C12DC1EWAEFH	DGM28-01TDC1EWAEFH	NA

%: D: Dual channels / Q: four channels / E: eight channels  
#: E: 64 layers 3D TLC / G: 96 layers 3D TLC / K: 112 Layers 3D TLC



Distributore Autorizzato per l'Italia:

Contradata Milano S.r.l.

Via Solferino 12, 20900 Monza (MB) - Italy

Tel: (+39) 039-230.14.92 | Email: info@contradata.it



[www.contradata.it](http://www.contradata.it)