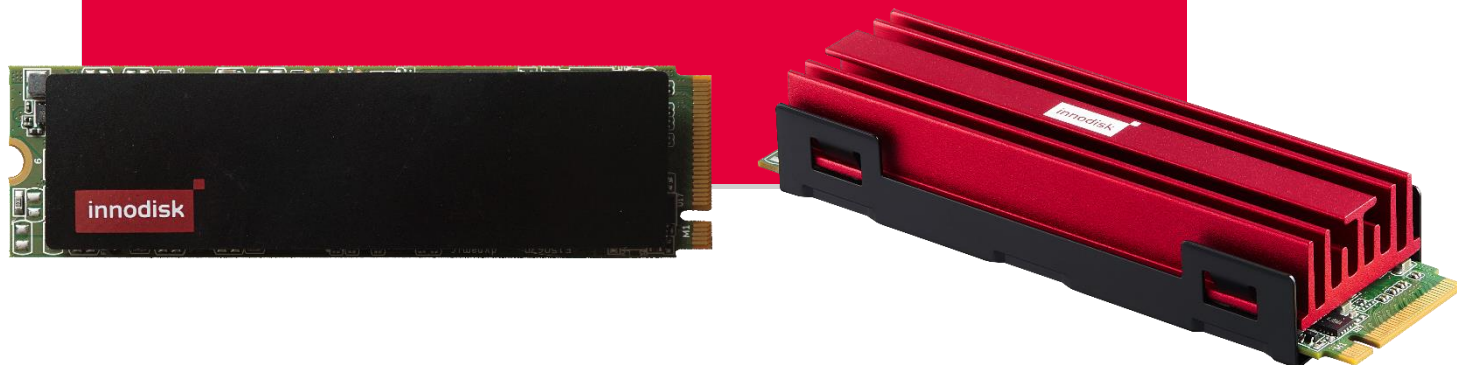


Datasheet

M.2 (P80) 3TG3-P AES series

- PCIe Gen. III x4, NVMe 1.3
- Excellent data transfer speed
- AES-256bits encryption
- High Endurance
- Heat-spreading design
- LDPC ECC engine supported.
- End-to-end Data Path Protection



Introduction

Innodisk M.2 (P80) 3TG3-P is an NVM Express SSD designed as the standard M.2 form factor with PCIe interface and 3D TLC NAND Flash. M.2 (P80)3TG3-P supports PCIe Gen III x4, and it is compliant with NVMe 1.3 providing excellent performance. M.2 (P80) 3TG3-P with heat-spreading design dissipate heat generating from IC making SSD perform more stably. With sophisticated error detection and correction (ECC) functions, the module can ensure full End-to-end Data Path Protection that secures the data transmission between host system and NAND Flash.

Innodisk M.2 (P80) 3TG3-P provides ultra-speed and high IOPS and offers maximum capacity up to 2TB, making the SSD optimal for server and heavy data workload applications.

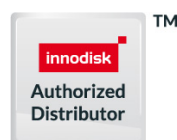
innodisk

Distributore Autorizzato per l'Italia:

Contradata Milano S.r.l.

Via Solferino 12, 20900 Monza (MB) - Italy

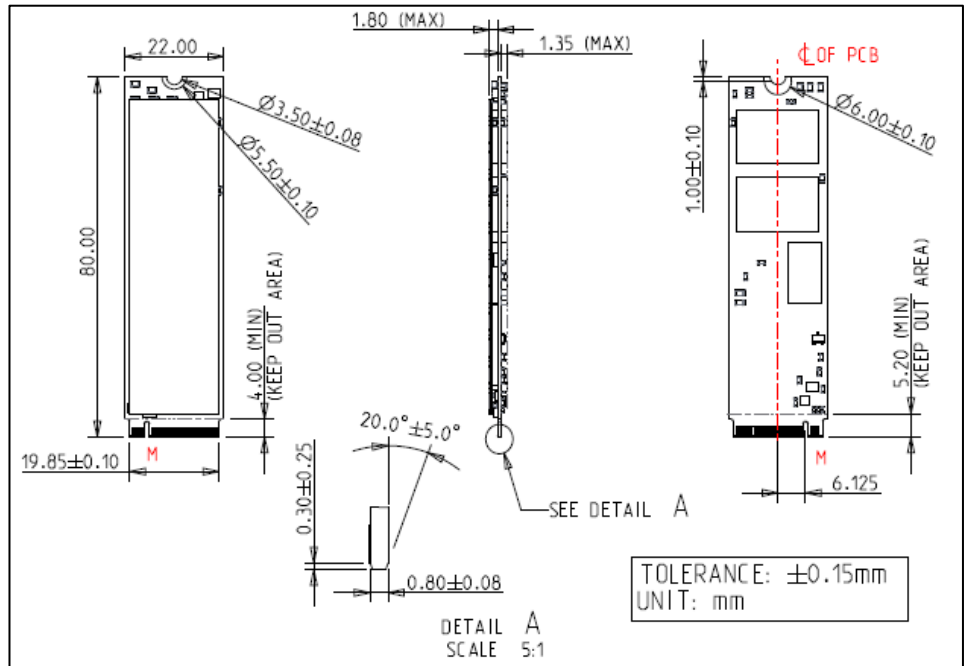
Tel: (+39) 039-230.14.92 | Email: info@contradata.it



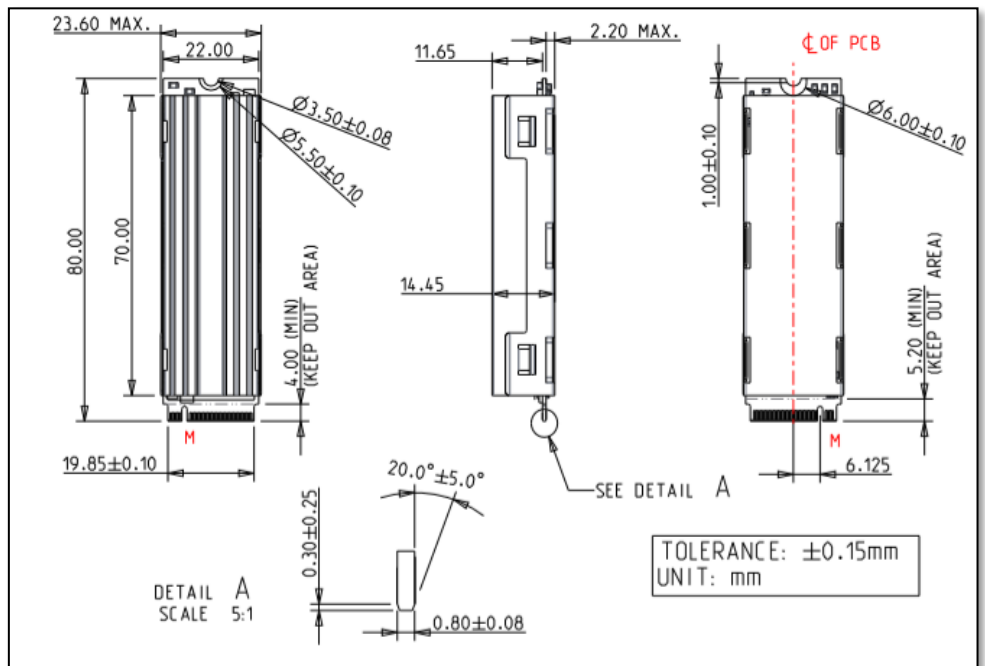
www.contradata.it

M.2 (P80) 3TG3-P AES series

Diagram(ST)



Diagram(WT)



© 2021 Innodisk Corporation.
All right reserved. Specifications are
subject to change without
prior notice.

20211101

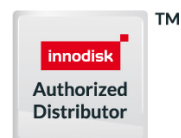
innodisk

Distributore Autorizzato per l'Italia:

Contradata Milano S.r.l.

Via Solferino 12, 20900 Monza (MB) - Italy

Tel: (+39) 039-230.14.92 | Email: info@contradata.it



www.contradata.it

M.2 (P80)

3TG3-P series

Interface	PCIe Gen. III x4
Flash Type	3D TLC
P/E cycle	10,000(ST); 3,000(WT)
Capacity	128GB~2TB
Max. Channels	8
Sequential R/W (MB/sec, max.)	3400/3200
Max. Power Consumption	7.4W
Thermal Sensor	√
External DRAM buffer	√
H/W Write Protect	NA
iCell	NA
Dimension (WxLxH)	22.0 X 80.0 X 3.5 mm; 22.0 X 80.0 X 3.95 mm with heat-spreading copper layer 23.6 X 80.0 X 14.45 mm with heatsink
Environment	Vibration: 20G @7~2000Hz Shock: 1500G @ 0.5ms Storage Temperature: -40°C ~ +85°C MTBF: 3 million hours

© 2021 Innodisk Corporation.
All right reserved. Specifications are
subject to change without
prior notice.

20211101

Ordering Information

Operation Temp.	128GB	256GB	512GB	1TB	2TB
Standard Grade (0°C ~ +70°C)	DGM28- A28DA2ECBDH	DGM28- B56DA2ECBQH	DGM28- C12DA2ECBEH	DGM28- 01TDA2ECBEH	DGM28- 02TDA2ECBEH
Industrial Grade (-40°C ~ +85°C)	DGM28- A28DA2HWADHH	DGM28- B56DA2HWAQHH	DGM28- C12DA2HWAEEH	DGM28- 01TDA2HWBEHH	NA

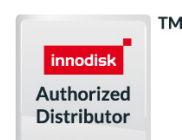


Distributore Autorizzato per l'Italia:

Contradata Milano S.r.l.

Via Solferino 12, 20900 Monza (MB) - Italy

Tel: (+39) 039-230.14.92 | Email: info@contradata.it



www.contradata.it