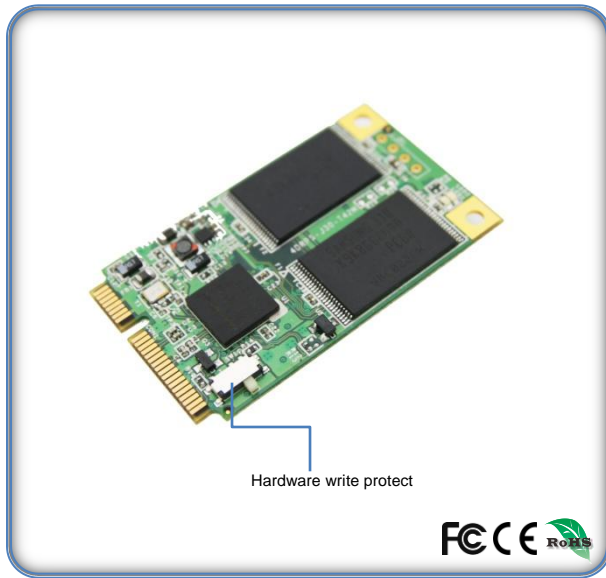


mSATA D150Q



Features

- Support static wear leveling algorithm
- S.M.A.R.T. & i-S.M.A.R.T. Supported
- Intelligent system for error recovery
- Excellent data transfer speed
- Compliant with JEDEC MO-300
- SATA-IO mini SATA

R:130MB/s
W:120MB/s

SATA II
3Gb/s

ECC &
Wear leveling

Thermal
sensor

S.M.A.R.T

Write
protect

Specifications

Connector Type	miniPCIe Pin Define for SATA Signal, 23:TX+; 25:TX-; 31:RX-; 33:RX+
Flash Type	SLC (Single Level Cell)
Density	2GB, 4GB, 8GB, 16GB, 32GB, 64GB
Transfer Mode	SATA II, SATA I, PIO 0~4, MDMA 0~2, UDMA 0~6
Sustained R/W Performance	Read : 130 MB/sec (max.) Write : 120 MB/sec (max.)

Environmental

DC Input	+3.3V DC \pm 5%
Power consumption (Max.)	Read: 180 mA Write: 200 mA Idle: 110 mA
Operating Temperature	0°C~+70°C (Standard Grade) -40°C~+85°C (Industrial Grade)
Storage Temperature	-55°C~+95°C
Humidity	Relative Humidity: 10-95%, non-condensing
Flash Endurance	100,000 program/erase cycles
MTBF	> 3,000,000 hours
Certification	CE, FCC, RoHS
Warranty	5 years

Mechanicals

Dimension (W x L x H)	29.85mm x 50.8mm x 3.5mm
Weight	8g \pm 2g
Vibration	7 Hz to 2K Hz, 3 axes
Shock	Duration: 0.5ms, 1500G, 3 axes

Health monitoring Tool

S.M.A.R.T.	Supported
i-S.M.A.R.T.	Supported (Utility for Windows, Linux)

Ordering Information

Capacity	Standard Grade	Industrial Grade
2GB	DRPS-02GJ30A <u>C</u> 3DB	DRPS-02GJ30A <u>W</u> 3DB
4GB	DRPS-04GJ30A <u>C</u> 3QB	DRPS-04GJ30A <u>W</u> 3QB
8GB	DRPS-08GJ30A <u>C</u> 3QB	DRPS-08GJ30A <u>W</u> 3QB
16GB	DRPS-16GJ30A <u>C</u> 3QB	DRPS-16GJ30A <u>W</u> 3QB
32GB	DRPS-32GJ30A <u>C</u> 3QB	DRPS-32GJ30A <u>W</u> 3QB
64GB	DRPS-64GJ30A <u>C</u> 3QB	DRPS-64GJ30A <u>W</u> 3QB

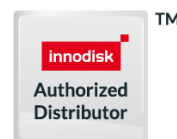
Distributore Autorizzato per l'Italia:

Contradata Milano S.r.l.

Via Solferino 12, 20900 Monza (MB) - Italy

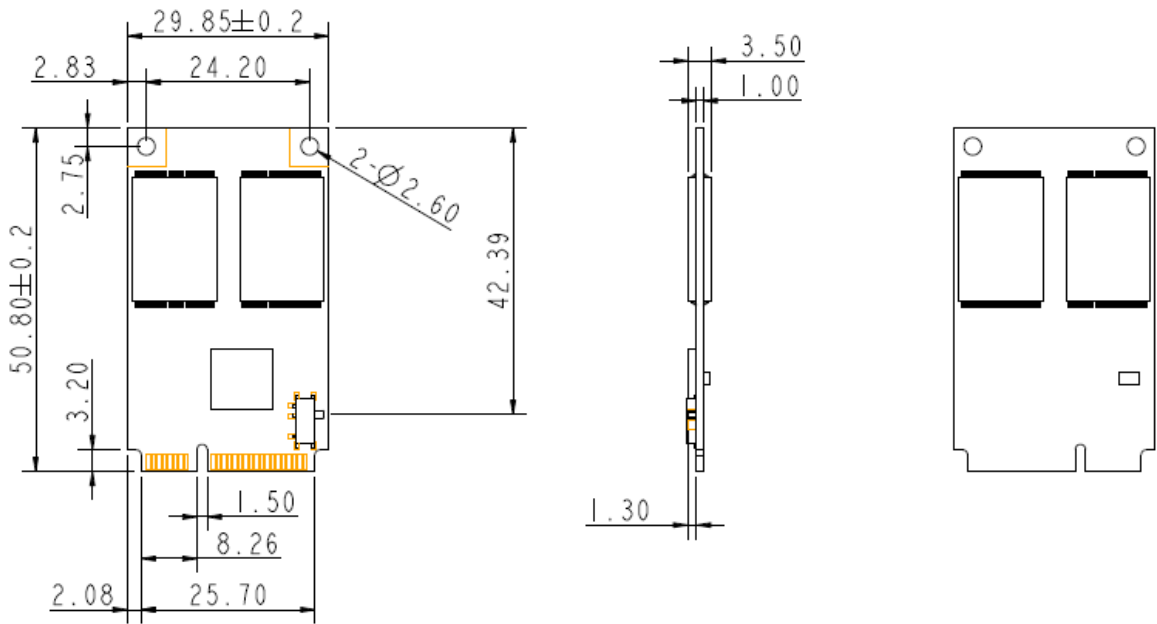
Tel: (+39) 039-230.14.92 | Email: info@contradata.it

innodisk



www.contradata.it

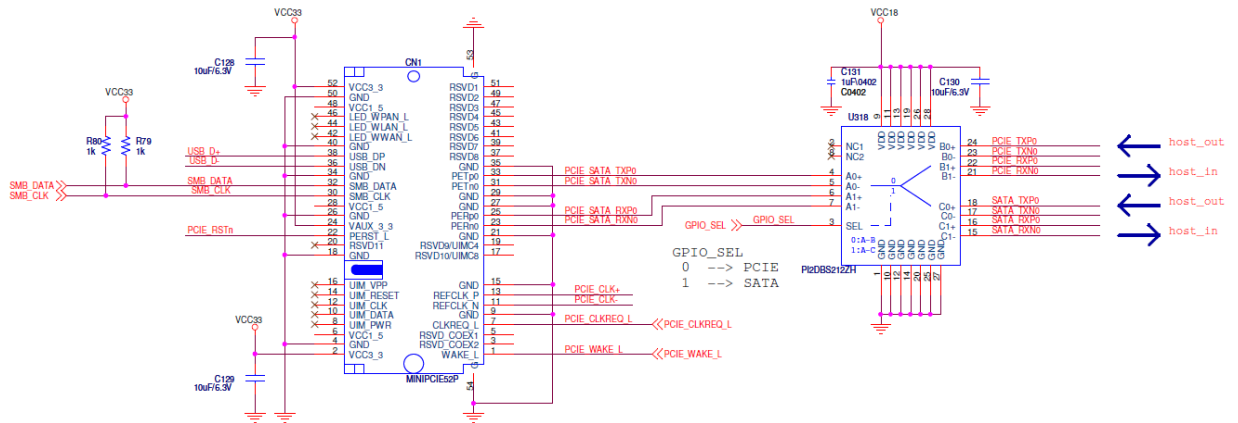
Mechanical Dimension



Tolerance ± 0.2mm

The pin assignment, component keep out area of InnoDisk mSATA D150Q is followed by JEDEC MO300 Specification.

PCIe and SATA Signal Switch MB Reference Circuit Design



We suggested MB can be designed a "signal bus switch IC" to transfer the differential channels. Due to the bi-directional nature of bus switch IC, it can be used to allocate bandwidth between PCI express and SATA II signal. You can increase one more option for your Mini PCIe device.

Distributore Autorizzato per l'Italia:

Contradata Milano S.r.l.

Via Solferino 12, 20900 Monza (MB) - Italy

Tel: (+39) 039-230.14.92 | Email: info@contradata.it

www.contradata.it