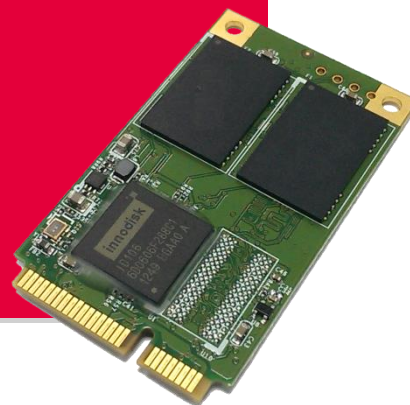


Datasheet

mSATA 3SE SERIES

- SATA 6Gb/S interface
- iSMART disk health monitoring
- Intelligent error recovery system
- Excellent data transfer speed
- Zero mechanical interference
- Anti-vibration mechanical design
- JEDEC standard MO-300 dimension



Introduction

Innodisk mSATA 3SE is designed as the standard Mini PCIe form factor with SATA interface, and supports SATA III standard (6.0Gb/s) with excellent performance. The form factor refers to the MO-300 specification which established by JEDEC. Regarding of mechanical interference, Innodisk mSATA 3SE absolutely replaces the traditional hard disk and makes personal computer, in any field, smaller and easier.

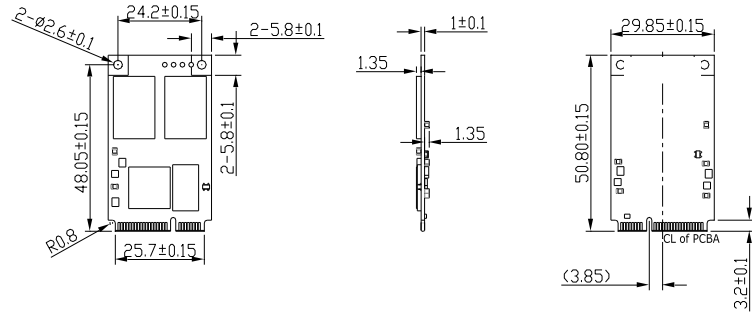
Innodisk mSATA 3SE effectively reduces the booting time of operation system and the power consumption is less than hard disk drive (HDD), and complies with ATA protocol, no additional drives are required, and can be configured as a boot device or data storage device.

mSATA 3SE series

Contact us for more information
about the mSATA 3SE.

Innodisk is a service-driven provider of industrial embedded flash and DRAM storage products and technologies, with a focus on the cloud computing, industrial/embedded, and aerospace and defense industries.

Diagram



TOLERANCE: ±0.20 mm
UNIT:mm

Specifications

Interface	SATA III
Flash Type	SLC
Capacity	1GB~64GB
Max. Channels	4
Sequential R/W (MB/sec, max.)	460 / 230
Max. Power Consumption	1.2 W (3.3V x 360 mA)
Thermal Sensor	Optional
External DRAM Buffer	-
H/W Write Protect	-
ATA Security	√
S.M.A.R.T.	√
Dimension (WxLxH)	29.8 X 50.8 X 3.3 mm
Environment	Vibration: 20G @7~2000Hz Shock: 1500G @ 0.5ms Storage Temperature: -55°C ~ +95°C MTBF: 3 million hours

Ordering Information

Operation Temp.	01GB	02GB	04GB	08GB
Standard Grade (0°C ~ +70°C)	DEMSR-01GD07AC*SB	DEMSR-02GD07AC*DB	DEMSR-04GXXX% C*DB	DEMSR-08GXXX% C*QB
Industrial Grade (-40°C ~ +85°C)	DEMSR-01GD07AW*SB	DEMSR-02GD07AW*DB	DEMSR-04GXXX% W*DB	DEMSR-08GXXX% W*QB

Operation Temp.	16GB	32GB	64GB
Standard Grade (0°C ~ +70°C)	DEMSR-16GD06SCBQB	DEMSR-32GD06SCBQB	DEMSR-64GD06SCBQB
Industrial Grade (-40°C ~ +85°C)	DEMSR-16GD06SWBQB	DEMSR-32GD06SWBQB	DEMSR-64GD06SWBQB

XXX. Controller (ID106/ID107)/ %. S: Synchronous NAND; A : As ynchronous NAND/ *. PCB version control

innodisk

Distributore Autorizzato per l'Italia:

Contradata Milano S.r.l.

Via Solferino 12, 20900 Monza (MB) - Italy

Tel: (+39) 039-230.14.92 | Email: info@contradata.it



www.contradata.it