

Datasheet

mSATA

3MV2-P series

- SATA 6.0 Gb/s interface
- JEDEC MO-300 standard dimension
- High IOPS by on-board DRAM design
- Intelligent error recovery system
- iSMART disk health monitoring
- iData Guard for abnormal power failure
- Zero mechanical interference
- DEVSLP supported



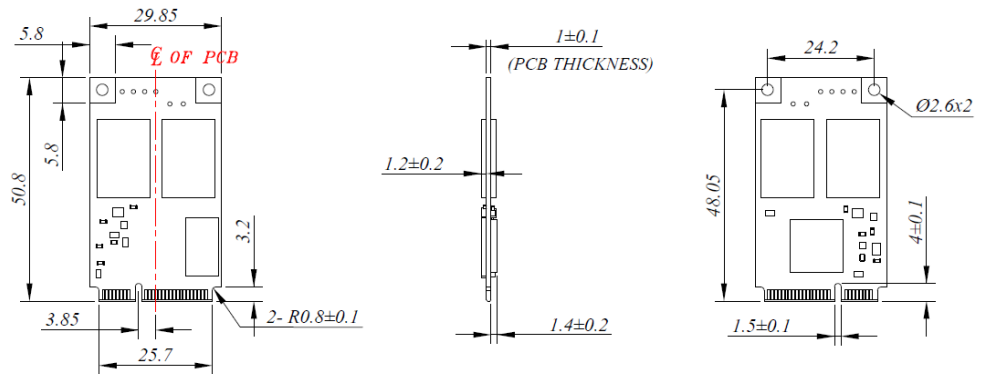
Introduction

InnoREC is innodisk's proprietary flash feature set designed specifically for surveillance applications. Through the smart integration of firmware and hardware, the speed and performance required by modern surveillance solutions is fully met. mSATA 3MV2-P products provide high capacity flash memory Solid State Drive (SSD) that electrically complies with Serial ATA (SATA) standard. It supports SATA III standard (6.0GHz) with high performance and supports several features, including REC line, iData Guard, Quick Erase, Thermal sensor, passive cooling and S.M.A.R.T.

mSATA 3MV2-P series

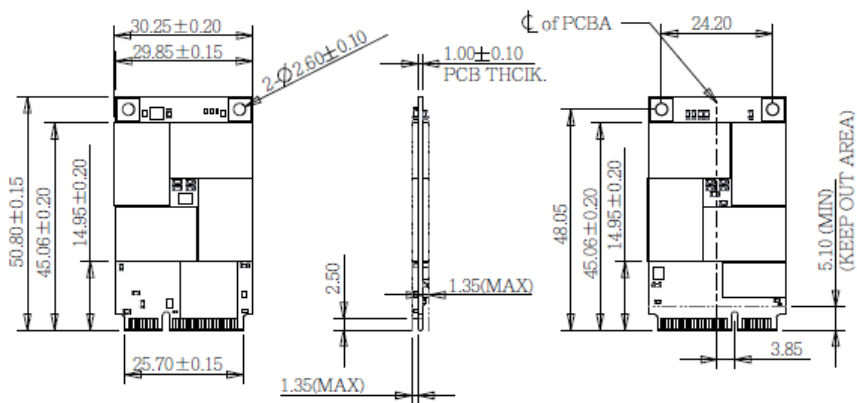
Diagram

Toshiba BGA 512GB



TOLERANCE: ±0.15mm
UNIT: mm

Toshiba BGA 1TB



TOLERANCE: ±0.15mm
UNIT: mm

20171114

Specifications

Interface	SATA III
Flash Type	MLC
Capacity	8GB~1TB
Max. Channels	4
Sequential R/W (MB/sec, max.)*	560 / 450 MB/s
4KB Random (QD32) R/W (IOPS)**	76,000/82,000
Max. Power Consumption	3.96 W (3.3 V x 1.2 A)
Thermal Sensor	√
External DRAM Buffer	√
H/W Write Protect	Optional (Except for 1TB)
ATA Security	√
S.M.A.R.T.	√
DEVSLP Mode	√ (min. power consumption 3mW)
Slumber Mode	√ (min. power consumption 30mW)
Dimension (WxLxH)	29.85 X 50.8 X 3.6 mm
Environment	Vibration: 20G @7~2000Hz Shock: 1500G @ 0.5ms Storage Temperature: -55°C ~ +95°C MTBF: 3 million hours
* Sequential performance based on CrystalDiskMark 5.1.2 with file size 1000MB	
** Random performance based on IOMeter with Queue Depth 32	

Ordering Information (Please refer to TPS for detail)

Operation Temp.	8GB	16GB	32GB	64GB
Standard Grade (0°C ~ +70°C)	DVMSR-08GD81BC1SC	DVMSR-16GD81BC1&C	DVMSR-32GD81BC1% C	DVMSR-64GD81BC1QC
Industrial Grade (-40°C ~ +85°C)	DVMSR-08GD81BW1SC	DVMSR-16GD81BW1&C	DVMSR-32GD81BW1% C	DVMSR-64GD81BW1QC

Operation Temp.	128GB	256GB	512GB	1TB
Standard Grade (0°C ~ +70°C)	DVMSR-A28D81BC1QC	DVMSR-B56D81BC1QC	DVMSR-C12D81BCBQC	DVMSR-01TD81BCAQC
Industrial Grade (-40°C ~ +85°C)	DVMSR-A28D81BW1QC	DVMSR-B56D81BW1QC	DVMSR-C12D81BWBQC	DVMSR-01TD81BWAQC

&: S: Single channel, D: Dual channel

%: D: Dual channel, Q: 4 channel

innodisk

Distributore Autorizzato per l'Italia:

Contradata Milano S.r.l.

Via Solferino 12, 20900 Monza (MB) - Italy

Tel: (+39) 039-230.14.92 | Email: info@contradata.it



www.contradata.it