

Datasheet

mSATA

3TE7 series

- mSATA SATA III solution for industrial field
- High IOPS
- iSMART disk health monitoring
- iPower Guard for protecting unstable start up and shut down.
- iData Guard for abnormal power failure



Introduction

Innodisk mSATA 3TE7 is SATA III 6.0 Gb/s flash based disk, which adopts latest SATA III NAND controller with Innodisk's exclusive L³ FW architecture. The upgraded L³ FW architecture, combining Innodisk signature 4K mapping algorithm L² FW architecture with powerful LDPC technology, makes 3TE7 series have outstanding high IOPS, better data integrity and extended lifespan through reducing the bad block number happening. Built-in thermal sensor and iData Guard ensure data integrity and reliability of mSATA 3TE7 for industrial applications.

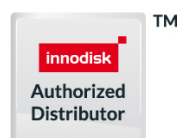
innodisk

Distributore Autorizzato per l'Italia:

Contradata Milano S.r.l.

Via Solferino 12, 20900 Monza (MB) - Italy

Tel: (+39) 039-230.14.92 | Email: info@contradata.it



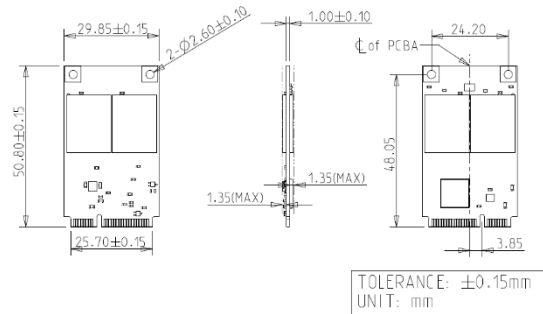
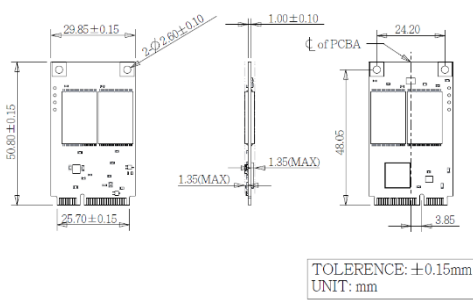
www.contradata.it

mSATA SSD 3TE7 series

Diagram

For 32GB~512GB

For 1TB~2TB



Contact us for more information about the mSATA 3TE7.

Innodisk is a service-driven provider of industrial embedded flash and DRAM storage products and technologies, with a focus on the industrial/embedded, aerospace and defense, and cloud computing industries.

Specifications

Interface	SATA III
Flash Type	3D TLC
Capacity	32GB~2TB
Max. Channels	4
Sequential R/W (MB/sec, max.)*	550 / 490 MB/s
Max. Power Consumption	2.4W (3.3V x 0.72mA)
Thermal Sensor	√
External DRAM Buffer	-
H/W Write Protect	Optional
ATA Security	√
S.M.A.R.T.	√
Dimension (WxLxH)	29.85 X 50.8 X 3.7 mm
Environment	Vibration: 20G @7~2000Hz Shock: 1500G @ 0.5ms Storage Temperature: -40°C ~ +85°C MTBF: 3 million hours
* Performance based on CrystalDiskMark 5.1.2 with file size 1000MB	

© 2021 Innodisk Corporation. All right reserved. Specifications are subject to change without prior notice.

Ordering Information (Please refer to TPS for detail)

Operation Temp.	32GB	64GB	128GB	256GB	512GB	1TB	2TB
Standard Grade (0°C ~ +70°C)	DEMSR-32GDK1EC1SF	DEMSR-64GDK1EC1DF	DEMSR-A28DK1%C*&F	DEMSR-B56DK1%C*QF	DEMSR-C12DK1%C*QF	DEMSR-01TDK1%CAQF	DEMSR-02TDK1%CAQF
Industrial Grade (-40°C ~ +85°C)	DEMSR-32GDK1EW1SF	DEMSR-64GDK1EW1DF	DEMSR-A28DK1EW1QF	DEMSR-B56DK1EW1QF	DEMSR-C12DK1EW1QF	DEMSR-01TDK1EWAQF	NA

% E: 64 layers 3D TLC; G: 96 layers 3D TLC; K: 112 layers 3D TLC / *. PCB version control/ &. D=Dual channel; Q=4 channel

innodisk

Distributore Autorizzato per l'Italia:

Contradata Milano S.r.l.

Via Solferino 12, 20900 Monza (MB) - Italy

Tel: (+39) 039-230.14.92 | Email: info@contradata.it



www.contradata.it