

Datasheet

iCF 1IE2 series

- CF 6.0 standard compatible
- supporting PIO 0-6/UDMA 0-6 in True-IDE mode
- Write protection security
- Read disturb management
- Secure Erase
- iPowerGuard
- iDataGuard
- Support iSLC technology



Introduction

The Innodisk Industrial CompactFlash® 1IE2 Memory Card (iCF 1IE2) products provide high capacity solid-state flash memory that electrically complies with the True IDE Mode that is electrically compatible with an IDE disk drive. The original CF form factor card can be used in any system that has a CF slot.

Designed to replace traditional rotating disk drives, Innodisk Industrial CompactFlash® 1IE2 Memory Cards are embedded solid-state data storage systems for mobile computing and the industrial work place. The Industrial CompactFlash® features an extremely lightweight, reliable, low-profile form factor. Industrial CompactFlash® 1IE2 (iCF 1IE2) support advanced PIO (0-4), Ultra DMA (0-6) transfer mode, multi-sector transfers, and LBA addressing. Furthermore, the 1IE2 series support iPowerGuard with voltage power-down detection for full power-down robustness

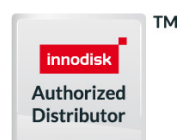
innodisk

Distributore Autorizzato per l'Italia:

Contradata Milano S.r.l.

Via Solferino 12, 20900 Monza (MB) - Italy

Tel: (+39) 039-230.14.92 | Email: info@contradata.it

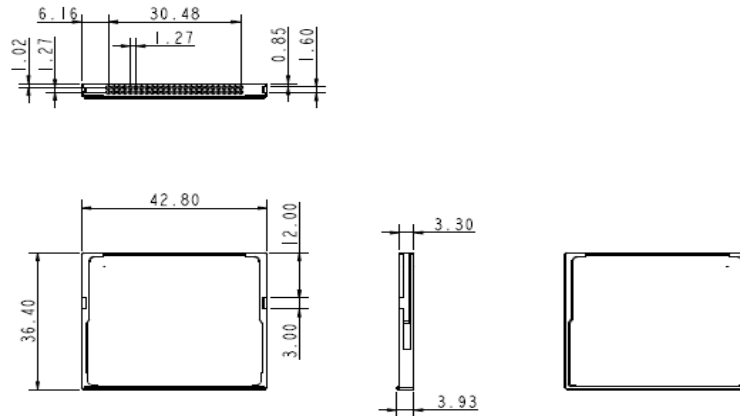


www.contradata.it

ICF

1IE2 series

Drawing



Specifications

Interface	PATA
Flash Type	iSLC
Capacity	4GB~128GB
Max. Channels	2
Sequential R/W (MB/sec, max.)	85/55
Max. Power Consumption	0.60 W
Thermal Sensor	√
H/W Write Protect	Optional*
ATA Security	√
S.M.A.R.T.	√
Dimension (WxLxH)	42.8X 36.4 X 3.3 mm
Environment	Vibration: 20G @7~2000Hz Shock: 1500G @ 0.5ms Storage Temperature: -40°C ~ +85°C MTBF: 3 million hours

© 2021 Innodisk Corporation.
All right reserved. Specifications
are subject to change without
prior notice.

20210818

Ordering Information

Operation Temp.	4GB	8GB	16GB	32GB	64GB	128GB
Standard Grade (0°C ~ +70°C)	DHCFC-04GYA2BC1SC(W)	DHCFC-08GYA2BC1SC(W)	DHCFC-16GYA2BC1DC(W)	DHCFC-32GYA2BC1DC(W)	DHCFC-64GYA2BC1DC(W)	DHCFC-A28YA2BC1DC(W)
Industrial Grade (-40°C ~ +85°C)	DHCFC-04GYA2BW1SC(W)	DHCFC-08GYA2BW1SC(W)	DHCFC-16GYA2BW1DC(W)	DHCFC-32GYA2BW1DC(W)	DHCFC-64GYA2BW1DC(W)	DHCFC-A28YA2BW1DC(W)

*H/W write protect function is optional.

For the write protect demand, please place the order by PN: DHCFC-xxxYA2Bx1xCW



Distributore Autorizzato per l'Italia:

Contradata Milano S.r.l.

Via Solferino 12, 20900 Monza (MB) - Italy

Tel: (+39) 039-230.14.92 | Email: info@contradata.it



www.contradata.it