

Datasheet

iCF 1SE2 series

- iSMART disk health monitoring
- Intelligent error recovery system
- Excellent data transfer speed
- Write protection security
- Enhanced power cycling management



Introduction

The Innodisk Industrial CompactFlash® 1SE2 Memory Card (iCF 1SE2) products provide high capacity solid-state flash memory that electrically complies with the True IDE Mode that is electrically compatible with an IDE disk drive. The original CF form factor card can be used in any system that has a CF slot.

Designed to replace traditional rotating disk drives, Innodisk Industrial CompactFlash® 1SE2 Memory Cards are embedded solid-state data storage systems for mobile computing and the industrial work place. The Industrial CompactFlash® features an extremely lightweight, reliable, low-profile form factor. Industrial CompactFlash® 1SE2 (iCF 1SE2) support advanced PIO (0-6), Multiword DMA (0-4), Ultra DMA (0-7) transfer mode, multi-sector transfers, and LBA addressing.

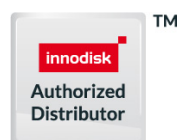
innodisk

Distributore Autorizzato per l'Italia:

Contradata Milano S.r.l.

Via Solferino 12, 20900 Monza (MB) - Italy

Tel: (+39) 039-230.14.92 | Email: info@contradata.it



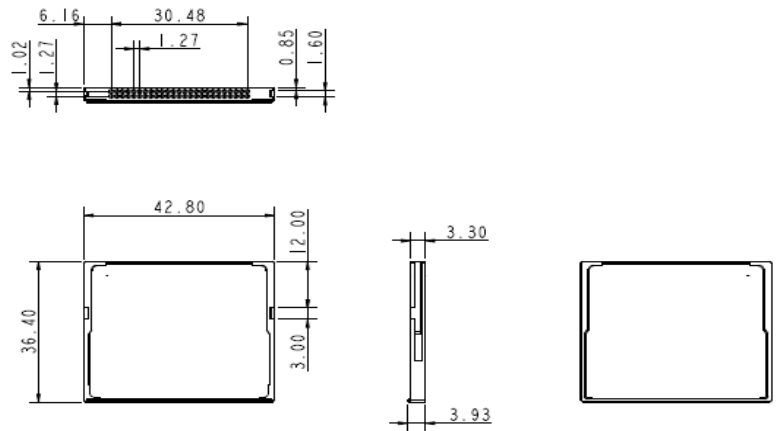
www.contradata.it

iCF 1SE2 series

Contact us for more information
about the iCF 1SE2

Innodisk is a service-driven provider of industrial embedded flash and DRAM storage products and technologies, with a focus on the cloud computing, industrial/embedded, and aerospace and defense industries.

Drawing



Specifications

Interface	PATA
Flash Type	SLC
Capacity	512MB~64GB
Max. Channels	2
Sequential R/W (MB/sec, max.)	85/70
Max. Power Consumption	1.4W(5.0V x 280mA)
Thermal Sensor	-
External DRAM Buffer	-
H/W Write Protect	Optional
ATA Security	√
S.M.A.R.T.	√
Dimension (WxLxH)	42.8X 36.4 X 3.3 mm
Environment	Vibration: 20G @7~2000Hz Shock: 1500G @ 0.5ms Storage Temperature: -40°C ~ +85°C MTBF: 3 million hours

20210908

Ordering Information

#. TSOP PCB version

%. S: single channel/D: dual channels

Operation Temp.	512MB	1GB	2GB	4GB
Standard Grade (0°C ~ +70°C)	DECFC-512D53AC1SB	DECFC-01GD53AC#%B	DECFC-02GD53AC#%B	DECFC-04GD53AC#%B
Industrial Grade (-40°C ~ +85°C)	DECFC-512D53AW1SB	DECFC-01GD53AW#%B	DECFC-02GD53AW#%B	DECFC-04GD53AW#%B
Operation Temp.	8GB	16GB	32GB	64GB
Standard Grade (0°C ~ +70°C)	DECFC-08GD53AC2DB	DECFC-16GD53AC2DB	DECFC-32GD53AC2DB	DECFC-64GD53AC2DB
Industrial Grade (-40°C ~ +85°C)	DECFC-08GD53AW2DB	DECFC-16GD53AW2DB	DECFC-32GD53AW2DB	DECFC-64GD53AW2DB

innodisk

Distributore Autorizzato per l'Italia:

Contradata Milano S.r.l.

Via Solferino 12, 20900 Monza (MB) - Italy

Tel: (+39) 039-230.14.92 | Email: info@contradata.it



www.contradata.it