

Datasheet

2.5" SATA SSD

3MG2-P series

- 2.5" SATA III solution for industrial field
- 7mm height mechanical design
- High IOPS
- Intelligent error recovery system
- iSMART disk health monitoring
- iData Guard for abnormal power failure
- iCell technology for data protection (optional)
- DEVSLP supported



Introduction

Innodisk 2.5" SATA SSD 3MG2-P is SATA III 6Gb/s flash based disk, which delivers excellent performance, especially in random data transfer rate, and which offers reliability making it the ideal solution for a variety of applications, including embedded system, industrial computing, and enterprise field. 3MG2-P 2.5" SSD not only performs unmatched performance, but also designed with Innodisk owned technical knowhow to ensure the data integrity and highest levels of reliability. Additionally, 3MG2-P SATA SSD can support device sleep mode (DEVSLP) and thus be able to benefit in extreme low power consumption.

2.5" SATA SSD

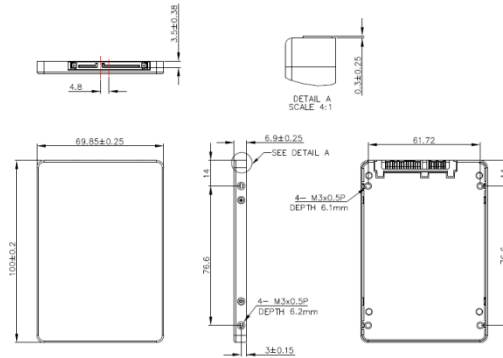
3MG2-P series

Drawing

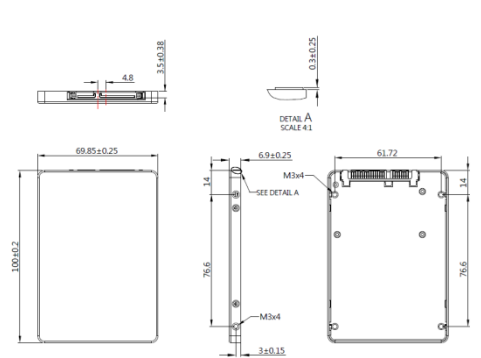
Contact us for more information about the 2.5" SATA SSD 3MG2-P

Innodisk is a service-driven provider of industrial embedded flash and DRAM storage products and technologies, with a focus on the industrial/embedded, aerospace and defense, and cloud computing industries.

* DGS25-XXXD81BX1XC



* DGS25-XXXD81BX3XC



Specifications

Interface	SATA III
Flash Type	MLC
Capacity	8GB~2TB (2TB is compliant with 9.5 mm height housing)
Max. Channels	4
Sequential R/W (MB/sec, max.)*	520 / 480 MB/s
4KB Random (QD32) R/W (IOPS)*	70,000/64,000
Max. Power Consumption	6 W (5V x 1.2A)
Thermal Sensor	√
External DRAM Buffer	√
H/W Write Protect	-
ATA Security	√
S.M.A.R.T.	√
DEVSLP Mode	√ (min. power consumption 3mW)
Slumber Mode	√ (min. power consumption 30mW)
Dimension (WxLxH)	69.85 X 100.0 X 6.9 mm(8GB-1TB) 69.85 X 100.0 X 9.5 mm(2TB)
Environment	Vibration: 20G @7~2000Hz Shock: 1500G @ 0.5ms Storage Temperature: -55°C ~ +95°C MTBF: 3 million hours
* Sequential performance based on CystalDiskMark 3.03 with file size 1000MB	

© 2017 Innodisk Corporation. All right reserved. Specifications are subject to change without prior notice.

Ordering Information (Please refer to TPS for detail)

Operation Temp.	8GB	16GB	32GB	64GB	128GB	256GB	512GB	1TB	2TB
Standard Grade (0°C ~ +70°C)	DGS25-08GD81*C3SC DGS25-08GD81*C1SC(P)	DGS25-16GD81*C3DC DGS25-16GD81*C1DC(P)	DGS25-32GD81*C3QC DGS25-32GD81*C1QC(P) DGS25-32GD81*CADCN(P)	DGS25-64GD81*C1QC(P) DGS25-64GD81*CAQN(P)	DGS25-A28D81*C1QC(P) DGS25-A28D81*CAQN(P)	DGS25-B56D81*C1QCP DGS25-B56D81*CAQN(P) DGS25-B56D81*C3QC	DGS25-C12D81*C1QC(P) DGS25-C12D81*CAQN(P)	DGS25-01TD81*CAQC(P) DGS25-01TD81*CAQN(P)	DGS25-02TD81*CAQC DGS25-02TD81*CAQN
Industrial Grade (-40°C ~ +85°C)	DGS25-08GD81*W3SC DGS25-08GD81*W1SC(P)	DGS25-16GD81*W3DC DGS25-16GD81*W1DC(P)	DGS25-32GD81*W3QC DGS25-32GD81*W1QC(P) DGS25-32GD81*WADN(P)	DGS25-64GD81*W1QC(P) DGS25-64GD81*W1QAQN(P)	DGS25-A28D81*W1QC(P) DGS25-A28D81*W1QAQN(P)	DGS25-B56D81*W1QCP DGS25-B56D81*W1QAQN(P) DGS25-B56D81*W3QC	DGS25-C12D81*W1QC(P) DGS25-C12D81*W1QAQN(P)	DGS25-01TD81*W1QAQC(P) DGS25-01TD81*W1QAQN(P)	DGS25-02TD81*W1QAQC DGS25-02TD81*W1QAQN

Note: C stands for Toshiba flash/N stands for Micron flash, P is optional for icell
*S: Toshiba A19nm MLC and Micron 16nm MLC/ B: Toshiba 15nm

20180831



Distributore Autorizzato per l'Italia:

Contradata Milano S.r.l.

Via Solferino 12, 20900 Monza (MB) - Italy

Tel: (+39) 039-230.14.92 | Email: info@contradata.it



www.contradata.it