

Datasheet

2.5" SATA SSD

3SE series

- 2.5" SATA III solution for industrial field
- iSMART disk health monitoring
- Intelligent error recovery system
- Excellent data transfer speed
- Enhanced power cycling management



Introduction

Innodisk 2.5" SATA SSD 3SE is SATA III 6Gb/s Flash based disk, which delivers excellent performance and reliability making it the ideal solution for a variety of applications, including embedded system, industrial computing, and enterprise field. 3SE 2.5" SSD not only performs unmatched performance, but also designed with Innodisk owned technical knowhow to ensure the data integrity and highest levels of reliability.

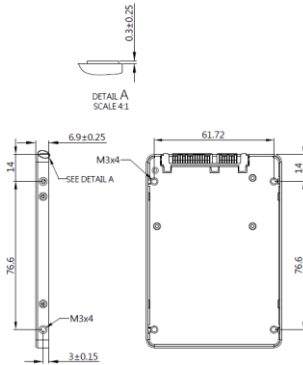
2.5" SATA SSD

3SE series Drawing

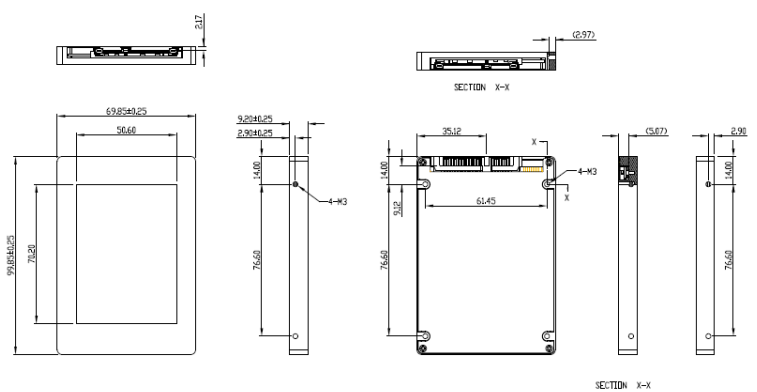
Contact us for more information
about the 2.5" SATA SSD 3SE

Innodisk is a service-driven provider of industrial embedded flash and DRAM storage products and technologies, with a focus on the industrial/embedded, aerospace and defense, and cloud computing industries.

* DES25-XXXD07XXXXX



* DES25-XXXD06XXXXX



Specifications

Interface	SATA III
Flash Type	SLC
Capacity	4GB~512GB
Max. Channels	4
Sequential R/W (MB/sec, max.)	490 / 430
Max. Power Consumption	3.0 W (5V x 600 mA)
Thermal Sensor	ST- Optional/ WT- Default
External DRAM Buffer	-
H/W Write Protect	-
Pin7 Power	-
ATA Security	√
S.M.A.R.T.	√
Dimension (WxLxH)	69.85 X 99.85 X 9.20 mm
Environment	Vibration: 20G @7~2000Hz Shock: 1500G @ 0.5ms Storage Temperature: -55°C ~ +95°C MTBF: 3 million hours

© 2015 Innodisk Corporation.
All right reserved. Specifications
are subject to change without
prior notice.

Ordering Information

Operation Temp.	4GB	8GB	16GB	32GB	64GB	128GB	256GB	512GB
Standard Grade (0°C ~ +70°C)	DES25-04GD07AC1DB	DES25-08GD06SCCQB	DES25-16GD06SCCQB	DES25-32GD06SCCQB	DES25-64GD06SCCQB	DES25-A28D06SCCQB	DES25-B56D06SCCQB	DES25-C12D06SCCQT
Industrial Grade (-40°C ~ +85°C)	DES25-04GD07AW1DB	DES25-08GD06SWCQB	DES25-16GD06SWCQB	DES25-32GD06SWCQB	DES25-64GD06SWCQB	DES25-A28D06SWCQB	DES25-B56D06SWCQB	DES25-C12D06SWCQT
Operation Temp.	4GB (24nm)	8GB (24nm)	2GB (24nm)					
Standard Grade (0°C ~ +70°C)	DES25-04GD07SC1DB	DES25-08GD06AC1QB	DES25-02GD07SC1SB					
Industrial Grade (-40°C ~ +85°C)	DES25-04GD07SW1DB	DES25-08GD06AW1QB	DES25-02GD07SW1SB					

innodisk

Distributore Autorizzato per l'Italia:

Contradata Milano S.r.l.

Via Solferino 12, 20900 Monza (MB) - Italy

Tel: (+39) 039-230.14.92 | Email: info@contradata.it



www.contradata.it