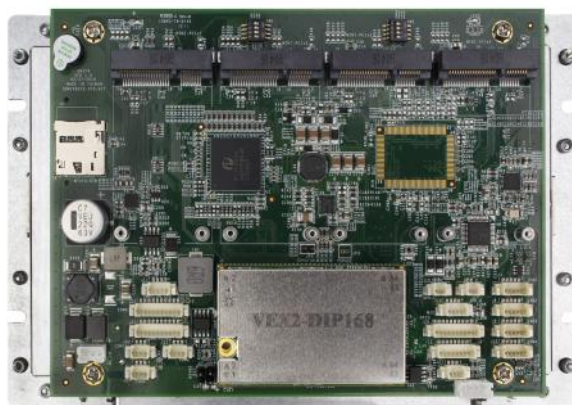


VOX-070-TS-EX2



Specifications

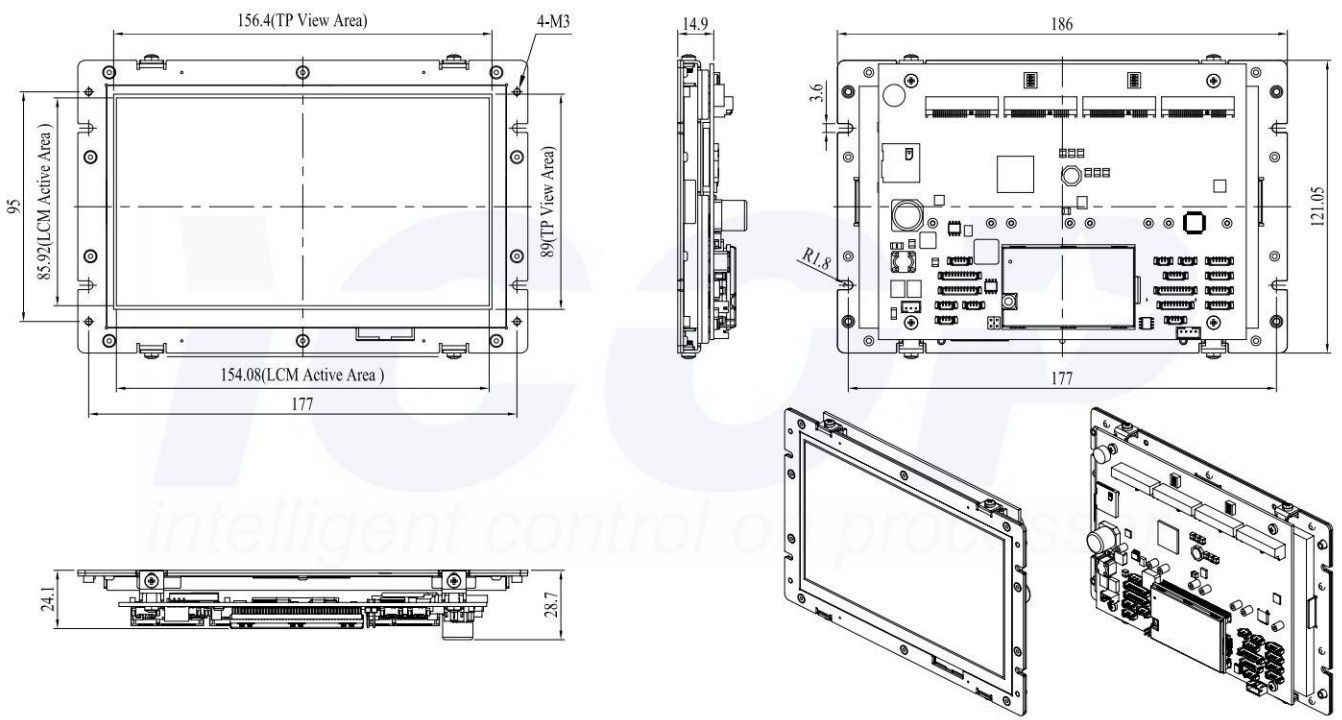
Processor	DM&P SoC Vortex86EX2 Master CPU 600MHz (Optional Slave CPU 400MHz) L1:I/D-Cache 16/16KB, L2: 128KB		
LCD	7" WVGA TFT LCD with resolution 800 (W) x 480 (H), 400 nits and resistive touch screen / 1,000 nits (Option)		
Expansion	MiniPCIe x4 (SIM card holder support on MiniPCIe1)		
BIOS	Coreboot BIOS		
System Memory	1GB/2GB DDR3 Onboard		
LAN	Integrated 10/100Mbps Ethernet		
Disk Support	SD Card (SDXC support) / 4GB eMMC onboard (Option)		
I/O	USB2.0 x4	8-bit GPIO	RS232 x5 (1x RS232/485)
Programmable	CAN bus (2.0A/2.0B) x1 Speaker Out (R) x1	Mic-in x1	Speaker Out (L) x1
Connectors	1.25mm 5-pin wafer for USB x4 1.25mm 10-pin wafer for GPIO x1 1.25mm 2-pin wafer for Speak Out (R) x1 1.25mm 4-pin wafer for LEDs x1 MiniPCIe slot x4	1.25mm 3-pin wafer for CAN Bus x1 1.25mm 4-pin for MIC-in x1 1.25mm 3-pin wafer for RS232 (Tx&Rx) x3 2.0mm 4-pin wafer for Power Input x1 Micro SIM card holder x1	1.25mm 8-pin wafer for LAN x1 1.25mm 2-pin wafer for Speak Out (L) x1 1.25mm 10-pin wafer for RS232 x2 2.0mm 4-pin wafer for PoE x1 (Option)
Headers	2.0mm 2-pin header for Console Selection (COM1)	2.54mm 2-pin header for Hardware Reset	2.54mm 2-pin header for COM9 RS485 Selection
Power Requirement	+12 to +36VDC Power Input		
Power Consumption	7Watt (Typical)		
Operating Temperature	0°C to +50°C -20°C to +60°C (Option)	-30°C to +80°C (Option)	
Dimension	186 x 121.05 x 28.7mm		
Weight	485g		
O/S Support	Windows Embedded Compact 7 Buildroot DOS	Windows Embedded CE6.0 POS Ready (WePOS)	Windows Embedded 2009 QNX Linux FreeBSD

Ordering Information

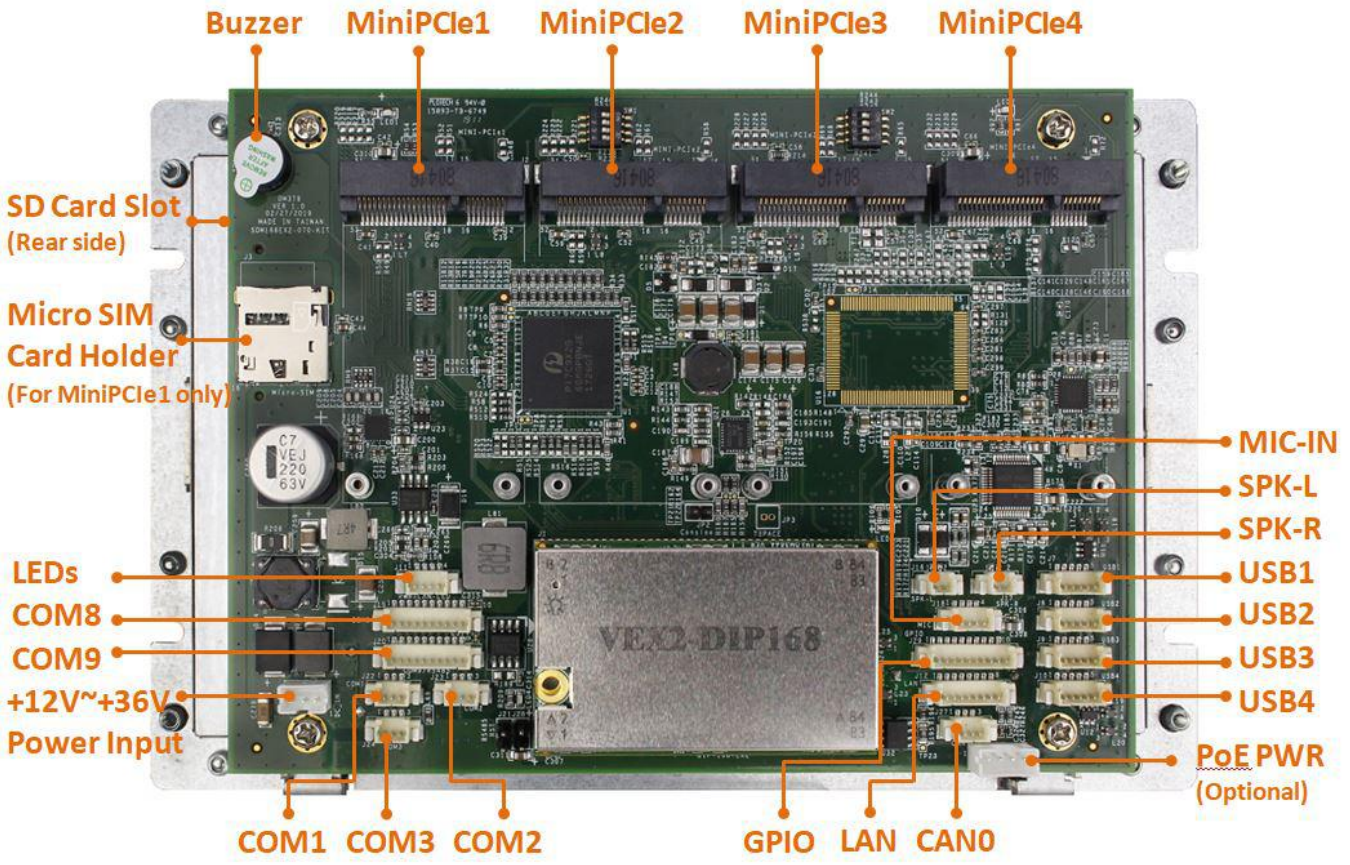
VOX-070-TS-EX2	7" EX2 OP w/1GB/4U/5S/CAN/GPIO/LAN/4 MiniPCIe/SPK-OUT/MIC-IN/SD Card
VOX-070-TS-EX2-V	7" EX2 OP w/1GB/4U/5S/CAN/GPIO/LAN/4 MiniPCIe/SPK-OUT/MIC-IN/SD Card/GPU-A9160
VOX-070-TS-EX2-E4	7" EX2 OP w/1GB/4U/5S/CAN/GPIO/LAN/4 MiniPCIe/SPK-OUT/MIC-IN/4GB eMMC
VOX-070-TS-EX2-VE4	7" EX2 OP w/1GB/4U/5S/CAN/GPIO/LAN/4 MiniPCIe/SPK-OUT/MIC-IN/4GB eMMC/GPU-A9160
VOX-070-TS-EX2-2G	7" EX2 OP w/2GB/4U/5S/CAN/GPIO/LAN/4 MiniPCIe/SPK-OUT/MIC-IN/SD Card
VOX-070-TS-EX2-V-2G	7" EX2 OP w/2GB/4U/5S/CAN/GPIO/LAN/4 MiniPCIe/SPK-OUT/MIC-IN/SD Card/GPU-A9160
VOX-070-TS-EX2-E4-2G	7" EX2 OP w/2GB/4U/5S/CAN/GPIO/LAN/4 MiniPCIe/SPK-OUT/MIC-IN/4GB eMMC
VOX-070-TS-EX2-VE4-2G	7" EX2 OP w/2GB/4U/5S/CAN/GPIO/LAN/4 MiniPCIe/SPK-OUT/MIC-IN/4GB eMMC/GPU-A9160
CABLE-3790P-SET	Cable set for VOX-070-TS-EX2 series

VOX-070-TS-EX2

Dimension



Production Outline



Distributore per l'Italia: Contradata Milano S.r.l.



Via Solferino 12 - 20900 Monza (MB) - Italy
Tel: (+39) 039-230.14.92 Email: info@contradata.it

www.contradata.it