

# DRPC-120-BT

- Fanless DIN-Rail Embedded System
- Intel® E3845 1.91GHz Solution



## Features

- Intel® Atom™ E3845 1.91GHz
- 1 x 2.5" SATA HDD/SSD drive bay
- DDR3L 1.35V SO-DIMM support
- Programmable OLED display
- 8-bit digital I/O (4-bit inputs/outputs)
- IEI iRIS-2400 solution

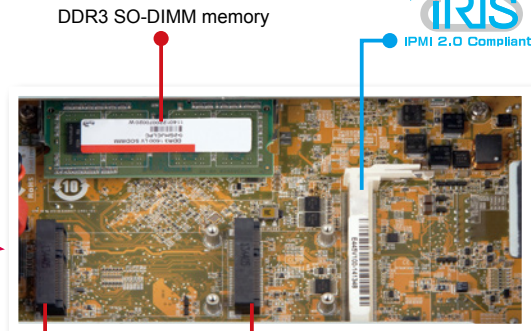
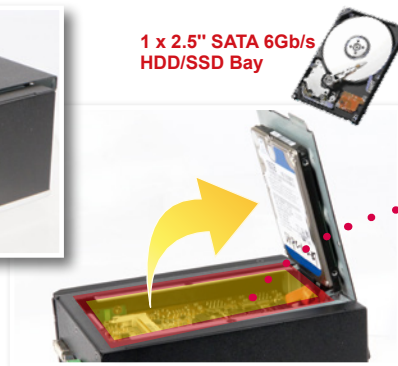


## User Friendly Installation

The DRPC-120 is designed with an easy removable back cover for users to install SATA HDD, PCIe Mini cards, DDR3 memory modules or iRIS-2400 modules conveniently.



1 x 2.5" SATA 6Gb/s HDD/SSD Bay

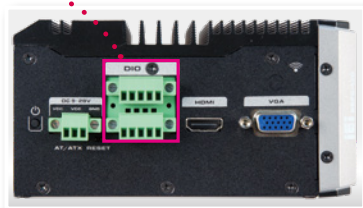
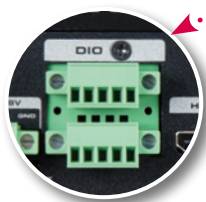


Full-size PCIe Mini

Half-size PCIe Mini

## 8-Channel Digital I/O

The DRPC-120 is outfitted with 8-channel (4-bit input and 4-bit output) digital I/O to provide digital input and output signals for control of industrial devices.



## Fanless

The DRPC-120 series provides the best components for generating less heat, while maintaining high system performance. With the fanless design, the DRPC-120 reduces system failure caused by fans and extends the lifetime of the device.



**iRIS Solution**



IPMI 2.0 Compliant

By installing the IEI iRIS-2400 module, the DRPC-120 is capable to complete your IoT application through the advanced remote control features, such as power management and control, remote KVM for device status monitoring, sending active alerts and warning messages by e-mail or SMS.

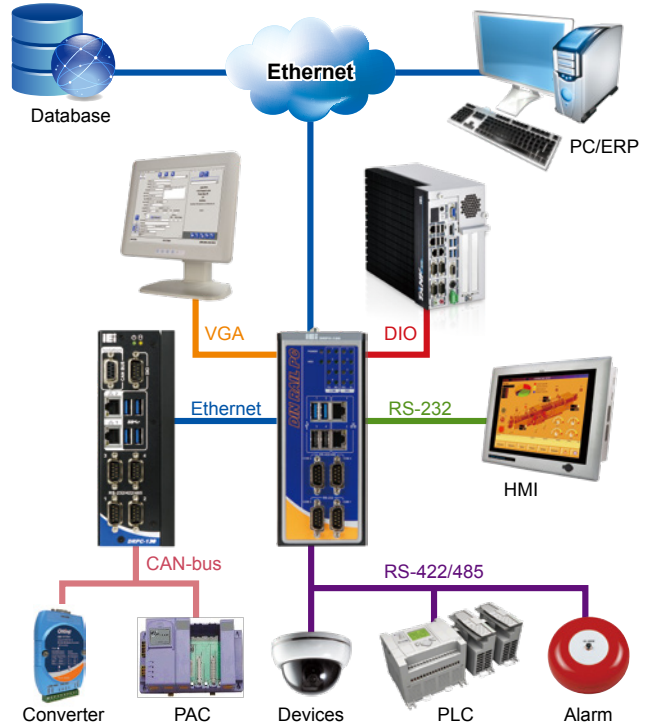
**DIN Rail Standard**

A DIN rail is a metal rail of a standard type widely used for mounting circuit breakers and industrial control equipment inside equipment racks. These products are typically made from cold rolled carbon steel sheet with a zinc-plated and chromated bright surface finish. The term derives from the original specifications having been published by Deutsches Institut für Normung (DIN) in Germany, which have since been adopted as European (EN) and international (ISO) standards.



**Communication Gateway**

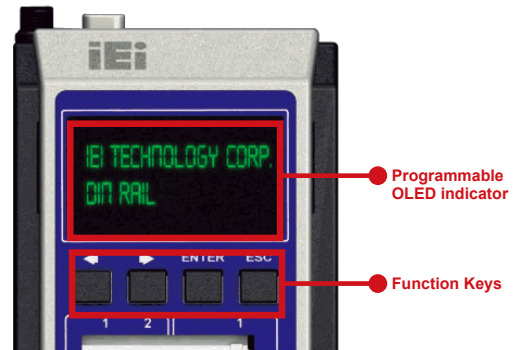
For high surge ESD automation environments, the DRPC series provides isolated digital IO, CAN-bus and serial communication ports.



**OLED Indicator Function**

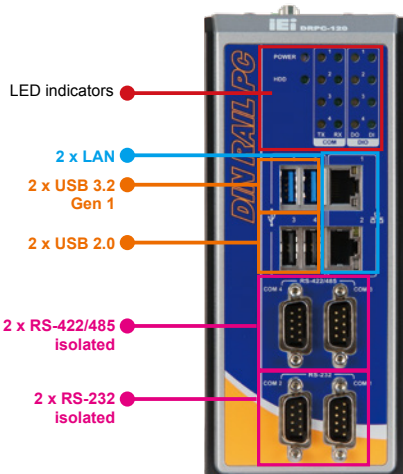
- **Programmable OLED Display**  
Users can program their own APIs to show any information by the OLED display.
- **Programmable Function Keys**  
Users can program the four keys to control OLED display.
- **Terminal Screen & Status Display**  
It supports both text format and graphic format.
- **Protocol & Demo Source Code Open**  
IEI provides the protocol & demo source code for users to program their own usage.

DRPC-120 OLED indicator

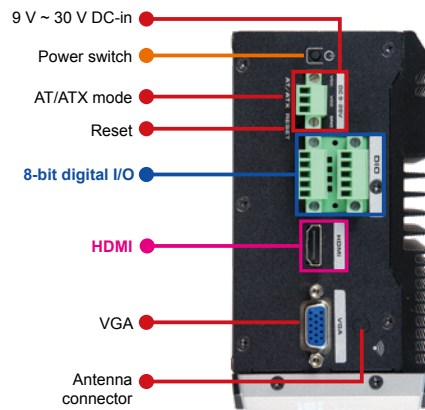


**Fully Integrated I/O**

Front View



Top Side View



## Specifications

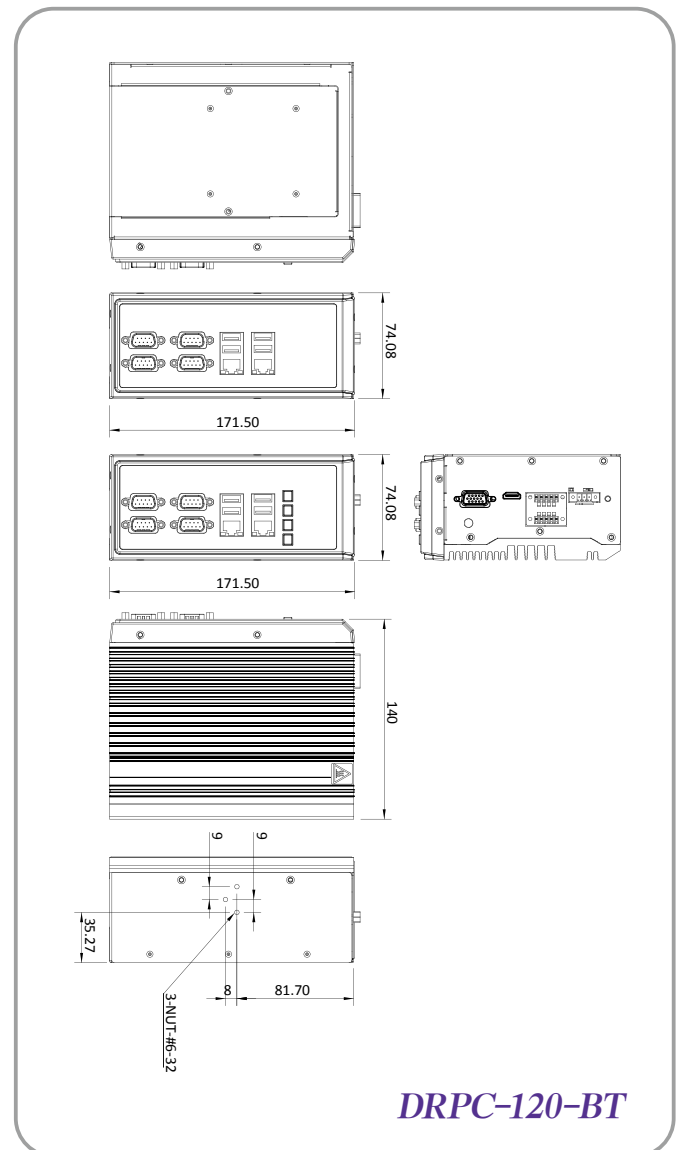
Model Name		DRPC-120-BT
Chassis	Color	Black
	Dimensions (WxDxH) (mm)	74.08 x 140 x 171.5
	System Fan	Fanless
	Chassis Construction	Extruded aluminum alloy
Motherboard	CPU	Intel® Atom™ E3845 1.91 GHz (quad-core, TDP 10W)
	Chipset	SoC
	System Memory	1 x SO-DIMM DDR3L 1066 (2GB pre-installed)
IPMI	iRIS Solution	1 x iRIS-2400 (optional)
Storage	Hard Drive	1 x 2.5" SATA 3Gb/s HDD/SSD bay
I/O Interfaces	USB	2 x USB 3.2 Gen1 2 x USB 2.0
	Ethernet	2 x RJ-45: 1 x GbE by Intel® I211 1 x GbE by Intel® I210
	COM Port	2 x RS232/422/485 with AFC (DB9 with 3kV isolation*) 2 x RS232 (DB9 with 3kV isolation*)
	Digital I/O	8-bit Digital I/O (4-in/ 4-out)
	Display	1 x HDMI (up to 1920 x 1200@60Hz) 1 x VGA (up to 1920 x 1200@60Hz)
	Wireless	1 x 802.11a/b/g/n/ac (optional)
	Other	1 x Power Button, 1 x Reset Button, 1 x AT/ATX Switch
	Expansions	PCIe Mini
Power	Power Input	Terminal block: 9 ~ 30V DC
	Power Consumption	12V @ 2.1A (Intel® Atom™ E3845 with 2GB memory)
Reliability	Mounting	DIN-Rail
	Operating Temperature	-20°C ~ 60°C with air flow (SSD), 10% ~ 95% non-condensing
	Storage Temperature	-40°C ~ 85°C with air flow (SSD), 10% ~ 95% non-condensing
	Operating Shock	Half-sine wave shock 5G, 11ms, 100 shocks per axis (SSD)
	Operating Vibration	MIL-STD-810G 514.6C-1 (SSD)
	Weight (Net/ Gross)	1.4KG/ 2.5KG
	Safety/EMC	CE/ FCC
	Watchdog Timer	Programmable 1 ~ 255 sec/min
OS	Supported OS	Microsoft® 8, Microsoft® Windows® Embedded Standard 7 E

\*COM port isolation: 3kV for 1 sec, 2.5kV for 1 minute

## Ordering Information

Part No.	Description
DRPC-120-BTI-E5-OLED/2G-R11	Fanless embedded system, Intel® Bay-Trail E3845 1.91 GHz, TDP 10W, 2GB DDR3L pre-installed memory, one VGA, one HDMI, 8 CH DIO, iRIS-2400 optional, 9 V ~ 28 V DC, OLED indicators, R11, RoHS
DRPC-120-BTI-E5-LED/2G-R11	Fanless embedded system, Intel® Bay-Trail E3845 1.91 GHz, TDP 10W, 2GB DDR3L pre-installed memory, one VGA, one HDMI, 8 CH DIO, iRIS-2400 optional, 9 V ~ 28 V DC, LED indicators, R11, RoHS

## Dimensions (Unit: mm)



## Options

Item	Part No.	Description
Adapter*	63040-010036-210-RS	Adapter Power;FSP;FSP060-DHAN3;9NA0 608010;Vin:90~264VAC;60W;Dim:62.0*110*31.5mm;Plug=7.5mm;Cable=1200mm;Erp (NO LOAD 0,21W);Vout:12VDC;Φ2.5/Φ5.5/lock;CCL;RoHS
Power Cable*	32102-026500-100-RS	WIRE CABLE:POWER CABLE;;2;200MM;(A)DC JACK 5.5X2.5. NUT+WASHER ;(B)TERMINAL BLOCK:3P P=3.5;SHANGHAI YING YU;RoHS
Power Cord	32702-000400-200-RS	European power cord
Wireless Kit	EMB-WIFI-KIT01-R20	1T1R Wi-Fi module kit for embedded system, IEEE802.11a/b/g/n/ac Wi-Fi with Bluetooth 4.0/3.0+HS, 1 x Wi-Fi module, 2 x 250mm RF cable, 2 x Antenna, RoHS
DIN-Rail Mounting Kit	DK-DRPC-R10	Rugged DIN-rail mounting kit for DRPC series only
OS: Windows Embedded 7	DRPC-120-WES7E-R10 (CD-ROM)	OS Image with Windows® Embedded Standard 7 E for DRPC-120 Series, CDROM, RoHS

\*It is required to order Power Cable together with Adapter for power usage

## Packing List

1 x Screw kit	1 x Mounting bracket
1 x SATA cable & SATA power cable	