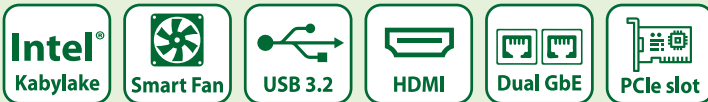


AI Box PC

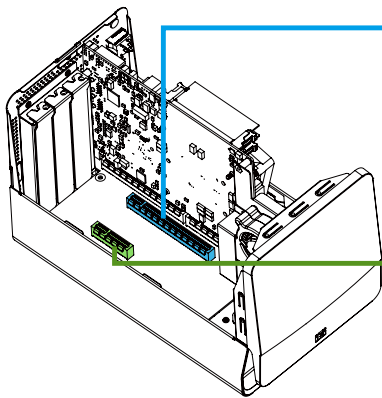
HTB-200-C236 | 6th/7th Generation Intel® Xeon / Core™ Processor

Features

- PCIe x4 slot supports capture cards or other applications
- Compact edge device with great computing & graphics performance
- PCIe x16 slot supports NVIDIA GPU or IEI Mustang Acceleration Card
- 6th/7th Gen Intel® Xeon® & Core™ processor platform with Intel® C236 chipset
- Dual ECC & non-ECC unbuffered SO-DIMM memory slot supporting up to 64 GB



» Dual PCIe Slots



PCIe x16

Accelerator cards are crucial to data scientists. High compatibility for the GPU cards such as NVIDIA P4/T4/Quadro series or IEI Mustang series allows the end user to choose accelerator cards based on their different needs.

PCIe x4

The redundant PCIe x4 slot is reserved for all-in-one video capture cards or other expansions.

» Unique Thermal Solution

Catering to NVIDIA® Tesla T4 passive heat sink design, IEI adopts blower-ventilation solution that not only creates a strong air flow but also minimizes the noise made by fan system.



» Easy Maintenance

The accessible hard drive enables IT technicians to do the maintenance work more easily. The drive bay is located in the bottom of the HTB-200-C236 and accepts 2.5" SSD or HDD. The IT technician can easily check or replace the storage device by removing four cover screws.



Specifications

Model		HTB-200-C236
Chassis	Color	White
	Dimension (L x W x H)	140 x 276.7 x 171 mm
	Thermal	Smart Fan
	Chassis Construction	Metal housing (SECC)
Motherboard	CPU	Intel® Xeon® E3-1268LV5, 35W TDP Intel® Core™ i5-7500T (Kaby Lake platform), 35W TDP
	Chipset	Intel® C236 for Xeon
	System Memory	2 x SO-DIMM ECC & non-ECC unbuffered memory supported up to 64GB
Storage	Hard Drive	1 x 2.5" SATA HDD/SSD bay
I/O Interfaces	USB	2 x USB 2.0 2 x USB 3.2 Gen 1
	Ethernet	Intel® I210 PCIe controller Intel® I219 LM Clarkville-V with Intel® AMT 11.0 support
	COM port	1 x RS-232/422/485
	Display	1 x HDMI 1.3a (up to 1920 x 1200)
	Others	1 x Power button 1 x Reset switch 1 x AT/ATX switch
Expansions	PCIe	1 x PCIe 3.0 x4 slot 1 x PCIe 3.0 x16 slot
	PCIe Mini	1 x Half-size PCIe Mini slot
	Acceleration Card (Optional)	NVIDIA Tesla P4 (50W/75W) NVIDIA Tesla T4 (75W) Mustang-F100 (<60W) Mustang-V100 (<30W)
Power	Power Input	19V DC
	Adapter	100V~240V AC input, 19V DC output, 180W
Reliability	Operating Temperature	0°C~35°C
	Operating Humidity	10%~95% (non-condensing)
	Storage Temperature	-20°C~60°C
	Operating Shock	Half-sine wave shock 5G, 11ms, 100 shocks per axis
	Operation Vibration	MIL-STD-810G 514.6C-1 (with SSD)
	Weight (Net / Gross)	2.8 kg
OS	Supported OS	Windows®10, Linux®

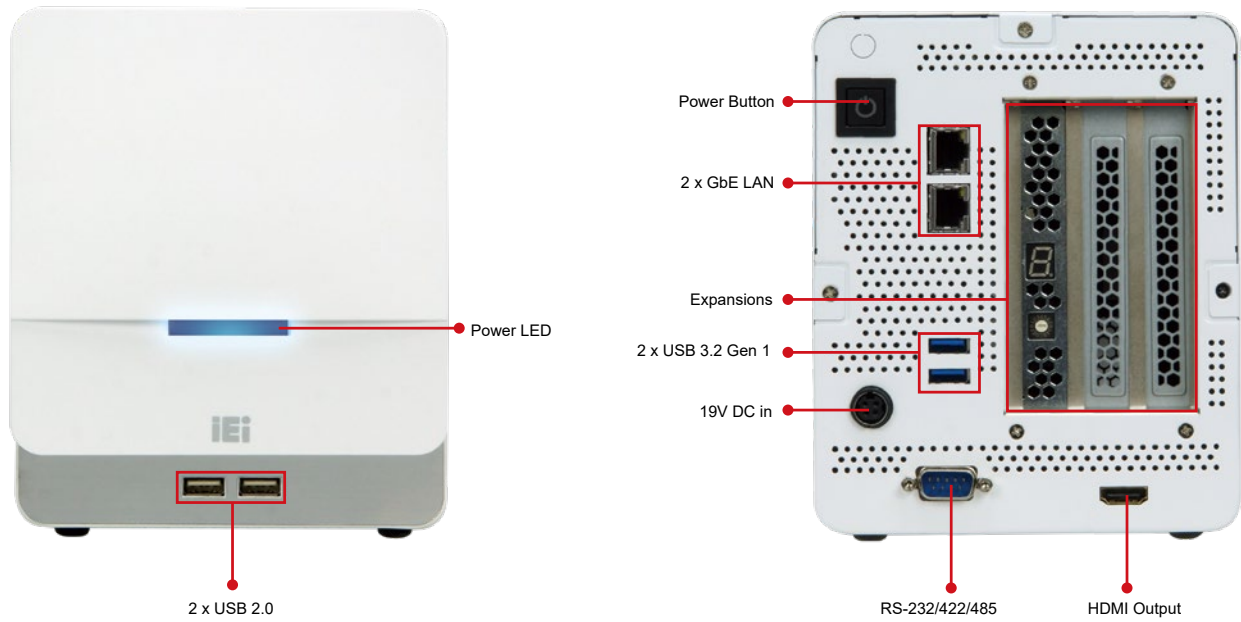
Ordering Information

Part No.	Description
HTB-200-C236-E3/32G/2A-R10	Embedded system with Intel® Xeon® E3-1268LV5 2.4GHz (quad-core, 35W TDP), two 16GB DDR4 memory, one PCIe x16 & one PCIe x4 expansion, 19V DC 180W power adapter, white, R10
HTB-200-C236-i5/16G/2A-R10	Embedded system with Intel® Core™ i5-7500T 2.7GHz (quad-core, 35W TDP), two 8GB DDR4 memory, one PCIe x16 & one PCIe x4 expansion, 19V DC 180W power adapter, white, R10

Packing List

Item	Part No.	Q'ty	Remark
Power Adapter	63040-010180-200-RS	1	180W power adapter Input: 100V~240V AC; Output: 19 V DC
Power Cord	32701-000700-300-RS	1	American power cord, 183 cm, C13
HDD Screw	44043-030041-RS	4	Machine screw; I head; M3x4

I/O Interface



HTB-200-C236 Dimensions

(Unit: mm)

