

EBC-3300

Embedded Chassis for IEI thin Mini-ITX SBC



Features

- Designs for thin type Mini-ITX SBC with single voltage input
- Total height 42mm for space critical application
- One 2.5" hard drive capacity
- Flexible E-Window tool kit support

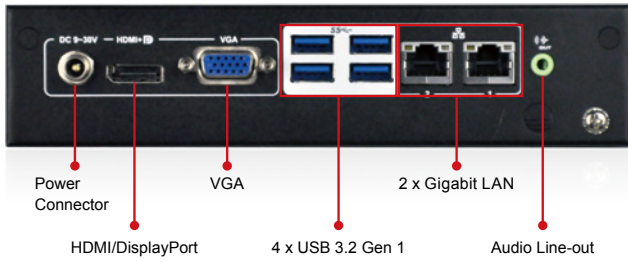


Specifications

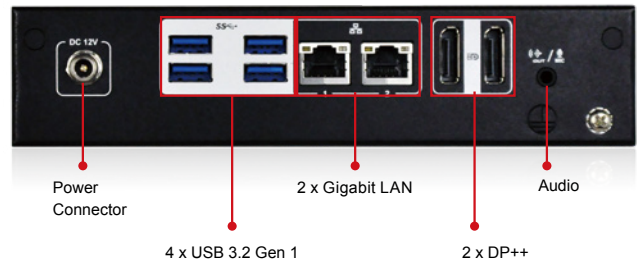
Model Name		EBC-3300	
		EBC-3300-AL-R10	EBC-3300-BW-R10
Platform		Case only	Case only
Chassis	Color	Black	Black
	Dimension(WxDxH)	190 x 190 x 43	190 x 190 x 43
	System Fan	--	--
	Chassis Construction	Heavy duty metal	Heavy duty metal
Motherboard	Motherboard	tkINO-AL	tkINO-BW
	SBC Size (mm)	Mini-ITX (170 x 170)	Mini-ITX (170 x 170)
	CPU	Refer to SBC	Refer to SBC
	System Memory	2 x DDR3L 1333/1066 SO-DIMM (system Max : 8GB)	1 x DDR3L 1333/1066 SO-DIMM (system Max : 8GB)
Storage	Hard Drive	1 x 2.5" SATA 6Gb/s HDD/SSD Bay	
	SD Card	1	1
	mSATA / M.2	1 (M.2 B-key)	1
I/O interfaces	PS2 (KB/MS)	pin header	pin header
	USB 3.2 Gen 1	4	4
	USB 2.0	pin header	pin header
	Ethernet	2	2
	RS-232/422/485	2 (pin header)	2 (pin header)
	RS-232	4 (pin header)	4 (pin header)
	DIO	8-bit (pin header)	8-bit (pin header)
	Display	2 x DP++	1 x VGA 1 x DP/HDMI
	Resolution	2 x DP++ (up to 4096x2160@60Hz)	1 x VGA (up to 1920x1200@60Hz) 1 x HDMI/DP (up to 3840x2160@30Hz)
	Audio	Realtek ALC269 1 x Audio jacks (line-out, mic-in)	Realtek ALC662 1 x Audio jacks (line-out)
	Wireless	Refer to SBC	Refer to SBC
Expansions	PCIe Mini	1 x Full-size PCIe Mini	1 x Full-size PCIe Mini
	Others	1 x M.2 B key 2242 (SATA/USB2)	N/A
Power	Power Input	12V	9~30V
	Power Consumption	12V@2.58A	12V@1.61A
	Others	1 x Power switch	1 x Power switch
Reliability	Mounting	VESA 100, wall mount	
	Operating Temperature	-10 ~ 50 °C with air flow (SSD), 10% ~ 95%, non-condensing	
	Storage Temperature	-20°C ~ 60°C	
	Operating Shock	Half-sine wave shock 3G, 11ms, 3 shocks per axis	
	Operation Vibration	MIL-STD-810G 514.5C-1 (with SSD)	
	Weight (Net/Gross)	1 kg/ 2kg	

Fully Integrated I/O

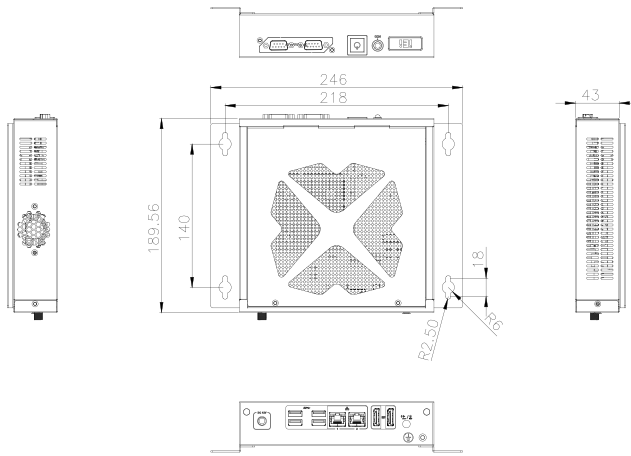
●EBC-3300-BW-R10 Rear I/O



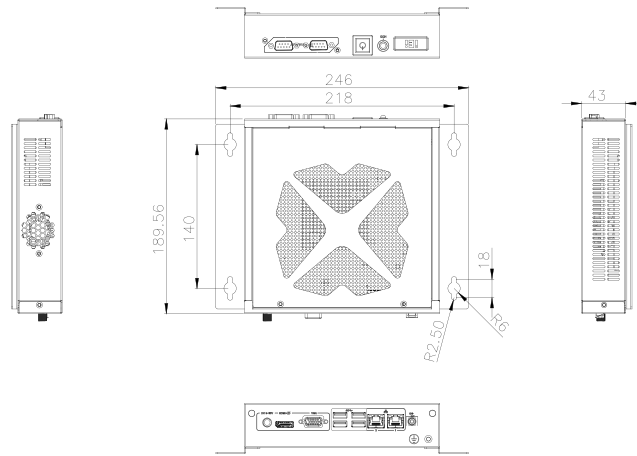
●EBC-3300-AL-R10 Rear I/O



EBC-3300-AL-R10 Dimensions (Unit: mm)



EBC-3300-BW-R10 Dimensions (Unit: mm)



Ordering Information

Part No.	Description
EBC-3300-AL-R10	Embedded chassis for tKINO-AL with one 2.5" SATA hard drive bay, IO bracket, one LED cable, one power switch cable and RoHS
EBC-3300-BW-R10	Embedded chassis for tKINO-BW with one 2.5" SATA hard drive bay, IO bracket, one LED cable, one power switch cable and RoHS

Options

Part No.	Description
E-MPCIE-3G-R10	PCIe mini card supports 3G WWAN Module, with PMS 130C I/O bracket, RF antenna 300mm cable and GSM antenna cable, R10
19FR123510BH-000001-RS	Fan Module, FAN, +12V, 3PIN, 31100-000409-RS, STANDARD, R123510BHAC6M5AR, CABLE L:300mm, MOLEX 5051-03P P=2.54 (For EBC-3300-ULT3-R10)
19FR123510BH-000002-RS	Fan Module, FAN, +12V, 4PIN, 31100-000410-RS, STANDARD, R123510BHAF6M6AR, CABLE L:300mm, MOLEX 5051-04P P=2.54 (For EBC-3300-AL-R10 & EBC-3300-BW-R10)
63040-010060-120-RS	FSP060-DIBAN2, 12V 60W AC/DC Adapter

Packing List

1 x QIG	1 x Wall mount bracket kit	1 x Screw set
---------	----------------------------	---------------