

Datasheet

M.2 (S60) 3ME3 series

- SATA 6Gb/s interface
- iSMART disk health monitoring
- Intelligent error recovery system
- Excellent data transfer speed
- Zero mechanical interference
- Anti-vibration mechanical design



Introduction

Innodisk M.2 (S60) 3ME3 is designed as the standard M.2 form factor with SATA interface, and supports SATA III standard (6.0Gb/s) with excellent performance. The form factor refers to the M.2 (NGFF) specification which established by JEDEC. Regarding of mechanical interference, Innodisk M.2 (S60) 3ME3 absolutely replaces the traditional hard disk and makes personal computer, in any field, smaller and easier.

Innodisk M.2 (S60) 3ME3 effectively reduces the booting time of operation system and the power consumption is less than hard disk drive (HDD), and complies with ATA protocol, no additional drives are required, and can be configured as a boot device or data storage device.

innodisk

Distributore Autorizzato per l'Italia:

Contradata Milano S.r.l.

Via Solferino 12, 20900 Monza (MB) - Italy

Tel: (+39) 039-230.14.92 | Email: info@contradata.it



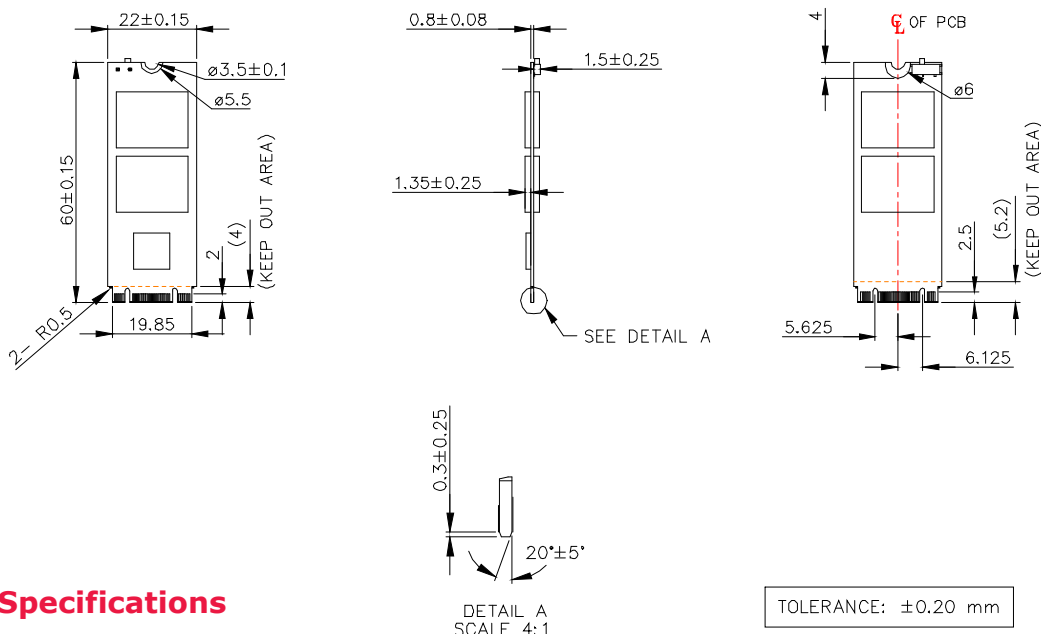
©2020 Innodisk

www.contradata.it

M.2 (S60)

3ME3 series

Diagram



Specifications

Interface	SATA III
Flash Type	MLC
P/E cycle	3,000
Capacity	32GB~512GB
Max. Channels	4
Sequential R/W (MB/sec, max.)	380/200
Max. Power Consumption	1.3W (3.3V x 370 mA)
Thermal Sensor	ST:N/WT:Y
External DRAM buffer	-
H/W Write Protect	Optional
ATA Security	√
S.M.A.R.T.	√
Dimension (WxLxH)	22.0 X 60.0 X 3.5 mm
Environment	Vibration: 20G @7~2000Hz Shock: 1500G @ 0.5ms Storage Temperature: -55°C ~ +95°C MTBF: 3 million hours

Ordering Information

Operation Temp.	32GB	64GB	128GB	256GB	512GB
Standard Grade (0°C ~ +70°C)	DEM26-32GD08BCADC	DEM26-64GD08BCAQC	DEM26-A28D08BCAQC	DEM26-B56D08BCAQC	DEM26-C12D08BCAQC
Industrial Grade (-40°C ~ +85°C)	DEM26-32GD08BWADC	DEM26-64GD08BWAQC	DEM26-A28D08BWAQC	DEM26-B56D08BWAQC	DEM26-C12D08BWAQC

innodisk

Distributore Autorizzato per l'Italia:

Contradata Milano S.r.l.

Via Solferino 12, 20900 Monza (MB) - Italy

Tel: (+39) 039-230.14.92 | Email: info@contradata.it



©2020 Innodisk

www.contradata.it

© 2016 Innodisk Corporation.
All right reserved. Specifications are subject to change without prior notice.

20161117