

Datasheet

# M.2 (P42) 3IE2 series

- PCIe Gen. III x2, NVMe 1.3
- Excellent data transfer speed
- Zero mechanical interference
- LDPC ECC engine supported.
- End-to-end Data Path Protection



## Introduction

Innodisk M.2 (P42) 3IE2 is an NVM Express DRAM-less SSD designed as the standard M.2 form factor with PCIe interface and MLC NAND Flash. M.2 (P42)3IE2 supports PCIe Gen III x2, and it is compliant with NVMe 1.3 providing excellent performance. Moreover, it adopts iSLC technology providing high endurance and reliability. With sophisticated error detection and correction (ECC) functions, the module can ensure full End-to-end Data Path Protection that secures the data transmission between host system and NAND Flash.

Innodisk M.2 (P42) 3IE2 is integrated with Marvell controller, which provide both low power consumption and efficient heat dissipation, making the SSD optimal for space-constrained IPCs and server boot-up applications.

**innodisk**

**Distributore Autorizzato per l'Italia:**

**Contradata Milano S.r.l.**

Via Solferino 12, 20900 Monza (MB) - Italy

Tel: (+39) 039-230.14.92 | Email: info@contradata.it

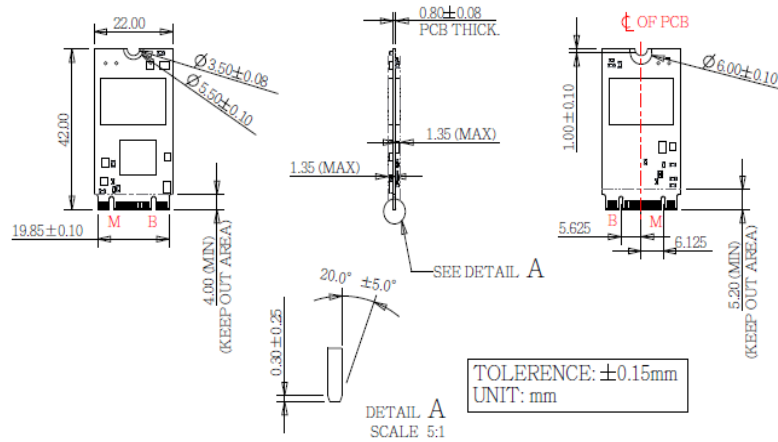


©2020 Innodisk

[www.contradata.it](http://www.contradata.it)

# M.2 (P42) 3IE2 series

## Diagram



## Specifications

Interface	PCIe Gen. III x2
Flash Type	iSLC
P/E cycle	20,000
Capacity	32GB~128GB
Max. Channels	4
Sequential R/W (MB/sec, max.)	1350/680
Max. Power Consumption	2.62W(3.3Vx792mA)
Thermal Sensor	√
External DRAM buffer	-
H/W Write Protect	-
Dimension (WxLxH)	22.0 X 42.0 X 3.5 mm
Environment	Vibration: 20G @7~2000Hz Shock: 1500G @ 0.5ms Storage Temperature: -55°C ~ +95°C MTBF: 3,000,000 hours

© 2019 Innodisk Corporation.  
All right reserved. Specifications are  
subject to change without  
prior notice.

20191223

## Ordering Information

Operation Temp.	32GB	64GB	128GB
Standard Grade (0°C ~ +70°C)	DHM24- 32GM61BCAQC	DHM24- 64GM61BCAQC	DHM24- A28M61BCAQC
Industrial Grade (-40°C ~ +85°C)	DHM24- 32GM61BWAQC	DHM24- 64GM61BWAQC	DHM24- A28M61BWAQC

**innodisk**

Distributore Autorizzato per l'Italia:

Contradata Milano S.r.l.

Via Solferino 12, 20900 Monza (MB) - Italy

Tel: (+39) 039-230.14.92 | Email: info@contradata.it



©2020 Innodisk

[www.contradata.it](http://www.contradata.it)