

User's Manual

Display Computing Solution



Industrial Panel PC
CV-100/P1000 Series

Contents

Prefaces

Revision	04
Copyright Notice	04
Acknowledgement	04
Disclaimer	04
Declaration of Conformity	04
Product Warranty Statement	05
Technical Support and Assistance	06
Conventions Used in this Manual	06
Safety Precaution	07
Package Contents	08
Optional Accessories	08
Ordering Information	09

Chapter 1 Product Introductions

1.1 Overview	14
1.2 Hardware Specification	15
1.2.1 CV-108/P1001	15
1.2.2 CV-110/P1001	19
1.2.3 CV-112/P1001	23
1.2.4 CV-115/P1001	27
1.2.5 CV-W115/P1001	31
1.2.6 CV-117/P1001	35
1.2.7 CV-119/P1001	39
1.2.8 CV-W121/P1001	43
1.2.9 CV-W124/P1001	47
1.3 System I/O	51
1.3.1 Front	51
1.3.2 Rear	52
1.3.3 Side (Left)	53
1.3.4 Side (Right)	54
1.3.5 Top	55

Chapter 2 Jumpers and Connectors

2.1 Jumper Settings	57
2.2 Locations of the Jumper and Connector	57
2.2.1 Top View	57
2.2.2 Bottom View	58
2.3 Connector / Jumper / Switch Definition	59
2.4 Switches Definition	60
2.5 Jumpers Definition	61
2.6 Connectors Definition	61

Chapter 3 System Setup

3.1 Removing the Top Cover	70
3.2 Installing a Half Size Mini PCIe Card	71
3.3 Installing a Full Size Mini PCIe Card	72
3.4 Installing Antennas	73
3.5 Installing a SO-DIMM	75
3.6 Installing the Top Cover	76
3.7 Installing a SATA Hard Drive	77

3.8	Installing a SIM Card	74
3.9	Installing a CFAST Card	75
3.10	Connecting with CV Display Module	76
Chapter 4	BIOS Setup	
4.1	BIOS Introduction	79
4.2	Main Setup	80
	4.2.1 System Date	80
	4.2.2 System Time	80
4.3	Advanced Setup	81
	4.3.1 ACPI Settings	81
	4.3.2 Super IO Configuration	82
	4.3.3 Hardware Monitor	84
	4.3.4 Serial Port Console Redirection	84
	4.3.5 CPU Configuration	85
	4.3.6 Thermal Configuration	86
	4.3.7 SATA Configuration	87
	4.3.8 OS Selection	88
	4.3.9 Compatibility Support Module Configuration	89
	4.3.10 USB Configuration	90
4.4	Chipset	91
	4.4.1 North Bridge	91
	4.4.2 South Bridge	93
4.5	Security	95
	4.5.1 Administrators Password	95
	4.5.2 Users Password	95
4.6	Boot	96
	4.6.1 Setup Prompt Timeout	96
	4.6.2 Bootup NumLock State	96
	4.6.3 Full Screen Logo Show	96
	4.6.4 Fast Boot	96
4.7	Save & Exit	97
	4.7.1 Save Changes and Reset	97
	4.7.2 Discard Changes and Reset	97
	4.7.3 Restore Defaults	97
	4.7.4 Save as User Defaults	97
	4.7.5 Restore User Defaults	97
Chapter 5	Product Application	
5.1	Digital I/O (DIO) application	99
	5.1.1 Digital I/O Programming Guide	99
5.2	Digital I/O (DIO) Hardware Specification	104
Appendix	Panel Mount Procedures	108

Preface

Revision

Revision	Description	Date
1.00	Manual Released	2014/10/30
1.10	New Display modules Released	2015/01/13
1.20	CV-110H/P1000 and CV-112H/P1000 Product Info and Mechanical Dimensions Added	2015/12/10
1.30	CV-W121/P1000 Product Info and Mechanical Dimensions Added	2016/11/2
1.40	Revise Operating Temperature	2016/12/22
1.50	Added New CV-100/P1000 Series Products Information	2018/09/07
1.60	Corrections made	2018/10/17
1.70	Corrections made	2018/11/20
1.80	CV-W124 Product Info and Mechanical Dimensions Added	2019/01/14
1.90	CV-108C Product Info and Mechanical Dimensions Added	2019/02/15

Copyright Notice

© 2017 by Cincoze Co., Ltd. All rights are reserved. No parts of this manual may be copied, modified, or reproduced in any form or by any means for commercial use without the prior written permission of Cincoze Co., Ltd. All information and specification provided in this manual are for reference only and remain subject to change without prior notice.

Acknowledgement

Cincoze is a registered trademark of Cincoze Co., Ltd. All registered trademarks and product names mentioned herein are used for identification purposes only and may be trademarks and/or registered trademarks of their respective owners.

Disclaimer

This manual is intended to be used as a practical and informative guide only and is subject to change without notice. It does not represent a commitment on the part of Cincoze. This product might include unintentional technical or typographical errors. Changes are periodically made to the information herein to correct such errors, and these changes are incorporated into new editions of the publication.

Declaration of Conformity



FCC

This equipment has been tested and found to comply with the limits for a Class A digital device, pursuant to Part 15 of the FCC Rules. These limits are designed to provide reasonable protection against harmful interference when the equipment is operated in a commercial environment. This equipment generates, uses, and can radiate radio frequency energy and, if not installed and used in accordance with the instruction manual, may cause harmful interference to radio communications. Operation of this equipment in a residential area is likely to cause harmful interference in which case the user will be required to correct the interference at his own expense.



CE

The product(s) described in this manual complies with all application European Union (CE) directives if it has a CE marking. For computer systems to remain CE compliant, only CE-compliant parts may be used. Maintaining CE compliance also requires proper cable and cabling techniques.

Product Warranty Statement

Warranty

Cincoze products are warranted by Cincoze Co., Ltd. to be free from defect in materials and workmanship for 2 years from the date of purchase by the original purchaser.

During the warranty period, we shall, at our option, either repair or replace any product that proves to be defective under normal operation.

Defects, malfunctions, or failures of the warranted product caused by damage resulting from natural disasters (such as by lightning, flood, earthquake, etc.), environmental and atmospheric disturbances, other external forces such as power line disturbances, plugging the board in under power, or incorrect cabling, and damage caused by misuse, abuse, and unauthorized alteration or repair, and the product in question is either software, or an expendable item (such as a fuse, battery, etc.), re not warranted.

RMA

Before sending your product in, you will need to fill in Cincoze RMA Request Form and obtain a RMA number from us. Our staff is available at any time to provide you with the most friendly and immediate service.

■ RMA Instruction

- Customers must fill in Cincoze Return Merchandise Authorization (RMA) Request Form and obtain a RMA number prior to returning a defective product to Cincoze for service.
- Customers must collect all the information about the problems encountered and note anything abnormal and describe the problems on the "Cincoze Service Form" for the RMA number apply process.
- Charges may be incurred for certain repairs. Cincoze will charge for repairs to products whose warranty period has expired. Cincoze will also charge for repairs to products if the damage resulted from acts of God, environmental or atmospheric disturbances, or other external forces through misuse, abuse, or unauthorized alteration or repair. If charges will be incurred for a repair, Cincoze lists all charges, and will wait for customer's approval before performing the repair.
- Customers agree to insure the product or assume the risk of loss or damage during transit, to prepay shipping charges, and to use the original shipping container or equivalent.
- Customers can be send back the faulty products with or without accessories (manuals, cable, etc.) and any components from the system. If the components were suspected as part of the problems, please note clearly which components are included. Otherwise, Cincoze is not responsible for the devices/parts.
- Repaired items will be shipped along with a "Repair Report" detailing the findings and actions taken.

Limitation of Liability

Cincoze' liability arising out of the manufacture, sale, or supplying of the product and its use, whether based on warranty, contract, negligence, product liability, or otherwise, shall not exceed the original selling price of the product. The remedies provided herein are the customer's sole and exclusive remedies. In no event shall Cincoze be liable for direct, indirect, special or consequential damages whether based on contract of any other legal theory.

Technical Support and Assistance

1. Visit the Cincoze website at www.cincoze.com where you can find the latest information about the product.
2. Contact your distributor or our technical support team or sales representative for technical support if you need additional assistance. Please have following information ready before you call:
 - Product name and serial number
 - Description of your peripheral attachments
 - Description of your software (operating system, version, application software, etc.)
 - A complete description of the problem
 - The exact wording of any error messages

Conventions Used in this Manual



WARNING

This indication alerts operators to an operation that, if not strictly observed, may result in severe injury.



CAUTION

This indication alerts operators to an operation that, if not strictly observed, may result in safety hazards to personnel or damage to equipment.



NOTE

This indication provides additional information to complete a task easily.

Safety Precautions

Before installing and using this device, please note the following precautions:

1. Read these safety instructions carefully.
2. Keep this User's Manual for future reference.
3. Disconnect this equipment from any AC outlet before cleaning.
4. For plug-in equipment, the power outlet socket must be located near the equipment and must be easily accessible.
5. Keep this equipment away from humidity.
6. Put this equipment on a reliable surface during installation. Dropping it or letting it fall may cause damage.
7. Make sure the voltage of the power source is correct before connecting the equipment to the power outlet.
8. Use a power cord that has been approved for using with the product and that it matches the voltage and current marked on the product's electrical range label. The voltage and current rating of the cord must be greater than the voltage and current rating marked on the product.
9. Position the power cord so that people cannot step on it. Do not place anything over the power cord.
10. All cautions and warnings on the equipment should be noted.
11. If the equipment is not used for a long time, disconnect it from the power source to avoid damage by transient overvoltage.
12. Never pour any liquid into an opening. This may cause fire or electrical shock.
13. Never open the equipment. For safety reasons, the equipment should be opened only by qualified service personnel.

If one of the following situations arises, get the equipment checked by service personnel:

- The power cord or plug is damaged.
 - Liquid has penetrated into the equipment.
 - The equipment has been exposed to moisture.
 - The equipment does not work well, or you cannot get it work according to the user's manual.
 - The equipment has been dropped and damaged.
 - The equipment has obvious signs of breakage.
14. **CAUTION:** Danger of explosion if battery is incorrectly replaced. Replace only with the same or equivalent type recommended by the manufacturer.

Package Contents

Before installation, please ensure all the items listed in the following table are included in the package.

Item	Description	Q'ty
1	Panel PC	1
2	Panel Mounting Kit	1
3	Utility DVD Driver	1
4	DIO Terminal Block Connector	1
5	Power Terminal Block Connector	1
6	Screw Pack	1
7	Mini PCIe Screw Pack	1

Note: Notify your sales representative if any of the above items are missing or damaged.

Optional Accessories

Model No.	Product Description
GST60A12-CIN	Adapter AC/DC 12V 5A 60W, GST60A12-CIN, wide temp (-30°C ~ +70°C), level VI
SL2-SL3	US 2 heads power cord, US B type to IEC C13, SVT 18AWG/3C Black 1.8M SL-2+SL-3
SL6-SL3	EU 2 heads power cord, EU G type to IEC C13, H05VV-F 0.75mm ² /3G Black 1.8M SL-6+SL-3
QP026-SL3	UK 2 heads power cord, UK I type to IEC C13, H05VV-F 0.75mm ² /3G Black 1.8M QP026+SL-3
URM01	Universal 19" Rack Mount Kit for Industrial Panel PC & Industrial Monitor

Ordering Information

Panel PC with Resistive 5-wire Touch

Model No.	Product Description
CV-108R-R10/P1001	8.4" TFT SVGA 4:3 Panel PC with Resistive 5-wire Touch, w/ Intel Atom E3845 Quad Core, 4x USB, 2x COM, 1x VGA and 1x DisplayPort
CV-108R-R10/P1001E	8.4" TFT SVGA 4:3 Panel PC with Resistive 5-wire Touch, w/ Intel Atom E3845 Quad Core, 4x USB, 2x COM, 1x VGA and 1x DisplayPort and 2x Universal bracket
CV-110R-R10/P1001	10.4" TFT SVGA 4:3 Panel PC with Resistive 5-wire Touch, w/ Intel Atom E3845 Quad Core, 4x USB, 2x COM, 1x VGA and 1x DisplayPort
CV-110R-R10/P1001E	10.4" TFT SVGA 4:3 Panel PC with Resistive 5-wire Touch, w/ Intel Atom E3845 Quad Core, 4x USB, 2x COM, 1x VGA and 1x DisplayPort and 2x Universal bracket
CV-110HR-R10/P1001	10.4" TFT XGA 4:3 Panel PC with Resistive 5-wire Touch, w/ Intel Atom E3845 Quad Core, 4x USB, 2x COM, 1x VGA and 1x DisplayPort
CV-110HR-R10/P1001	10.4" TFT XGA 4:3 Panel PC with Resistive 5-wire Touch, w/ Intel Atom E3845 Quad Core, 4x USB, 2x COM, 1x VGA and 1x DisplayPort and 2x Universal bracket
CV-112R-R10/P1001	12.1" TFT SVGA 4:3 Panel PC with Resistive 5-wire Touch, w/ Intel Atom E3845 Quad Core, 4x USB, 2x COM, 1x VGA and 1x DisplayPort
CV-112R-R10/P1001E	12.1" TFT SVGA 4:3 Panel PC with Resistive 5-wire Touch, w/ Intel Atom E3845 Quad Core, 4x USB, 2x COM, 1x VGA and 1x DisplayPort and 2x Universal bracket
CV-112HR-R10/P1001	12.1" TFT XGA 4:3 Panel PC with Resistive 5-wire Touch, w/ Intel Atom E3845 Quad Core, 4x USB, 2x COM, 1x VGA and 1x DisplayPort
CV-112HR-R10/P1001E	12.1" TFT XGA 4:3 Panel PC with Resistive 5-wire Touch, w/ Intel Atom E3845 Quad Core, 4x USB, 2x COM, 1x VGA and 1x DisplayPort and 2x Universal bracket
CV-115R-R10/P1001	15" TFT XGA 4:3 Panel PC with Resistive 5-wire Touch, w/ Intel Atom E3845 Quad Core, 4x USB, 2x COM, 1x VGA and 1x DisplayPort
CV-115R-R10/P1001E	15" TFT XGA 4:3 Panel PC with Resistive 5-wire Touch, w/ Intel Atom E3845 Quad Core, 4x USB, 2x COM, 1x VGA and 1x DisplayPort and 2x Universal bracket
CV-W115R-R10/P1001	15.6" TFT WXGA 16:9 Panel PC with Resistive 5-wire Touch, w/ Intel Atom E3845 Quad Core, 4x USB, 2x COM, 1x VGA and 1x DisplayPort
CV-W115R-R10/P1001E	15.6" TFT WXGA 16:9 Panel PC with Resistive 5-wire Touch, w/ Intel Atom E3845 Quad Core, 4x USB, 2x COM, 1x VGA and 1x DisplayPort and 2x Universal bracket

Model No.	Product Description
CV-117R-R10/P1001	17" TFT SXGA 5:4 Panel PC with Resistive 5-wire Touch, w/ Intel Atom E3845 Quad Core, 4x USB, 2x COM, 1x VGA and 1x DisplayPort
CV-117R-R10/P1001E	17" TFT SXGA 5:4 Panel PC with Resistive 5-wire Touch, w/ Intel Atom E3845 Quad Core, 4x USB, 2x COM, 1x VGA and 1x DisplayPort and 2x Universal bracket
CV-119R-R10/P1001	19" TFT SXGA 5:4 Panel PC with Resistive 5-wire Touch, w/ Intel Atom E3845 Quad Core, 4x USB, 2x COM, 1x VGA and 1x DisplayPort
CV-119R-R10/P1001E	19" TFT SXGA 5:4 Panel PC with Resistive 5-wire Touch, w/ Intel Atom E3845 Quad Core, 4x USB, 2x COM, 1x VGA and 1x DisplayPort and 2x Universal bracket
CV-W121R-R10/P1001	21.5" TFT Full HD 16:9 Panel PC with Resistive 5-wire Touch and Intel Atom E3845 Quad Core, 4x USB, 2x COM, 1x VGA, 1x DisplayPort
CV-W121R-R10/P1001E	21.5" TFT Full HD 16:9 Panel PC with Resistive 5-wire Touch and Intel Atom E3845 Quad Core, 4x USB, 2x COM, 1x VGA, 1x DisplayPort, 2x Universal bracket
CV-W124R-R10/P1001	24" TFT Full HD 16:9 Panel PC with Resistive 5-wire Touch and Intel® Atom™ E3845 Quad Core PC Module, 4x USB, 2x COM, 1x VGA, 1x DisplayPort
CV-W124R-R10/P1001E	24" TFT Full HD 16:9 Panel PC with Resistive 5-wire Touch and Intel® Atom™ E3845 Quad Core PC Module, 4x USB, 2x COM, 1x VGA, 1x DisplayPort, 2x Universal Brackets

Panel PC with Projected Capacitive Touch

Model No.	Product Description
CV-108C-R10/P1001	8.4" TFT SVGA 4:3 Panel PC with Projected Capacitive Touch, w/ Intel Atom E3845 Quad Core, 4x USB, 2x COM, 1x VGA and 1x DisplayPort
CV-108C-R10/P1001E	8.4" TFT SVGA 4:3 Panel PC with Projected Capacitive Touch, w/ Intel Atom E3845 Quad Core, 4x USB, 2x COM, 1x VGA, 1x DisplayPort and 2x Universal I/O Bracket
CV-110C-R10/P1001	10.4" TFT SVGA 4:3 Panel PC with Projected Capacitive Touch, w/ Intel Atom E3845 Quad Core, 4x USB, 2x COM, 1x VGA and 1x DisplayPort
CV-110C-R10/P1001E	10.4" TFT SVGA 4:3 Panel PC with Projected Capacitive Touch, w/ Intel Atom E3845 Quad Core, 4x USB, 2x COM, 1x VGA and 1x DisplayPort and 2x Universal bracket
CV-110HC-R10/P1001	10.4" TFT XGA 4:3 Panel PC with Projected Capacitive Touch, w/ Intel Atom E3845 Quad Core, 4x USB, 2x COM, 1x VGA and 1x DisplayPort
CV-110HC-R10/P1001E	10.4" TFT XGA 4:3 Panel PC with Projected Capacitive Touch, w/ Intel Atom E3845 Quad Core, 4x USB, 2x COM, 1x VGA and 1x DisplayPort and 2x Universal bracket
CV-112C-R10/P1001	12.1" TFT SVGA 4:3 Panel PC with Projected Capacitive Touch, w/ Intel Atom E3845 Quad Core, 4x USB, 2x COM, 1x VGA and 1x DisplayPort
CV-112C-R10/P1001E	12.1" TFT SVGA 4:3 Panel PC with Projected Capacitive Touch, w/ Intel Atom E3845 Quad Core, 4x USB, 2x COM, 1x VGA and 1x DisplayPort and 2x Universal bracket
CV-112HC-R10/P1001	12.1" TFT XGA 4:3 Panel PC with Projected Capacitive Touch, w/ Intel Atom E3845 Quad Core, 4x USB, 2x COM, 1x VGA and 1x DisplayPort
CV-112HC-R10/P1001E	12.1" TFT XGA 4:3 Panel PC with Projected Capacitive Touch, w/ Intel Atom E3845 Quad Core, 4x USB, 2x COM, 1x VGA and 1x DisplayPort and 2x Universal bracket
CV-115C-R10/P1001	15" TFT XGA 4:3 Panel PC with Projected Capacitive Touch, w/ Intel Atom E3845 Quad Core, 4x USB, 2x COM, 1x VGA and 1x DisplayPort
CV-115C-R10/P1001E	15" TFT XGA 4:3 Panel PC with Projected Capacitive Touch, w/ Intel Atom E3845 Quad Core, 4x USB, 2x COM, 1x VGA and 1x DisplayPort and 2x Universal bracket
CV-W115C-R10/P1001	15.6" TFT WXGA 16:9 Panel PC with Projected Capacitive Touch, w/ Intel Atom E3845 Quad Core, 4x USB, 2x COM, 1x VGA and 1x DisplayPort
CV-W115C-R10/P1001E	15.6" TFT WXGA 16:9 Panel PC with Projected Capacitive Touch, w/ Intel Atom E3845 Quad Core, 4x USB, 2x COM, 1x VGA and 1x DisplayPort and 2x Universal bracket

Model No.	Product Description
CV-117C-R10/P1001	17" TFT SXGA 5:4 Panel PC with Projected Capacitive Touch, w/ Intel Atom E3845 Quad Core, 4x USB, 2x COM, 1x VGA and 1x DisplayPort
CV-117C-R10/P1001E	17" TFT SXGA 5:4 Panel PC with Projected Capacitive Touch, w/ Intel Atom E3845 Quad Core, 4x USB, 2x COM, 1x VGA and 1x DisplayPort and 2x Universal bracket
CV-119C-R10/P1001	19" TFT SXGA 5:4 Panel PC with Projected Capacitive Touch, w/ Intel Atom E3845 Quad Core, 4x USB, 2x COM, 1x VGA and 1x DisplayPort
CV-119C-R10/P1001E	19" TFT SXGA 5:4 Panel PC with Projected Capacitive Touch, w/ Intel Atom E3845 Quad Core, 4x USB, 2x COM, 1x VGA and 1x DisplayPort and 2x Universal bracket
CV-W121C-R10/P1001	21.5" TFT Full HD 16:9 Panel PC with Projected Capacitive Touch and Intel Atom E3845 Quad Core, 4x USB, 2x COM, 1x VGA, 1x DisplayPort
CV-W121C-R10/P1001E	21.5" TFT Full HD 16:9 Panel PC with Projected Capacitive Touch and Intel Atom E3845 Quad Core, 4x USB, 2x COM, 1x VGA, 1x DisplayPort, 2x Universal bracket
CV-W124C-R10/P1001	24" TFT Full HD 16:9 Panel PC with Projected Capacitive Touch and Intel® Atom™ E3845 Quad Core PC Module, 4x USB, 2x COM, 1x VGA, 1x DisplayPort
CV-W124C-R10/P1001E	24" TFT Full HD 16:9 Panel PC with Projected Capacitive Touch and Intel® Atom™ E3845 Quad Core PC Module, 4x USB, 2x COM, 1x VGA, 1x DisplayPort, 2x Universal Brackets

Panel PC without Touch

Model No.	Product Description
CV-117G-R10/P1001-R10	17" TFT SXGA 5:4 Panel PC without Touch, w/ Intel Atom E3845 Quad Core, 4x USB, 2x COM, 1x VGA and 1x DisplayPort
CV-117G-R10/P1001E-R10	17" TFT SXGA 5:4 Panel PC without Touch, w/ Intel Atom E3845 Quad Core, 4x USB, 2x COM, 1x VGA and 1x DisplayPort and 2x Universal bracket
CV-119G-R10/P1001-R10	19" TFT SXGA 5:4 Panel PC without Touch, w/ Intel Atom E3845 Quad Core, 4x USB, 2x COM, 1x VGA and 1x DisplayPort
CV-119G-R10/P1001E-R10	19" TFT SXGA 5:4 Panel PC without Touch, w/ Intel Atom E3845 Quad Core, 4x USB, 2x COM, 1x VGA and 1x DisplayPort and 2x Universal bracket
CV-W121G-R10/P1001-R10	21.5" TFT Full HD 16:9 Panel PC without Touch, w/ Intel Atom E3845 Quad Core, 4x USB, 2x COM, 1x VGA and 1x DisplayPort
CV-W121G-R10/P1001E-R10	21.5" TFT Full HD 16:9 Panel PC without Touch, w/ Intel Atom E3845 Quad Core, 4x USB, 2x COM, 1x VGA and 1x DisplayPort and 2x Universal bracket



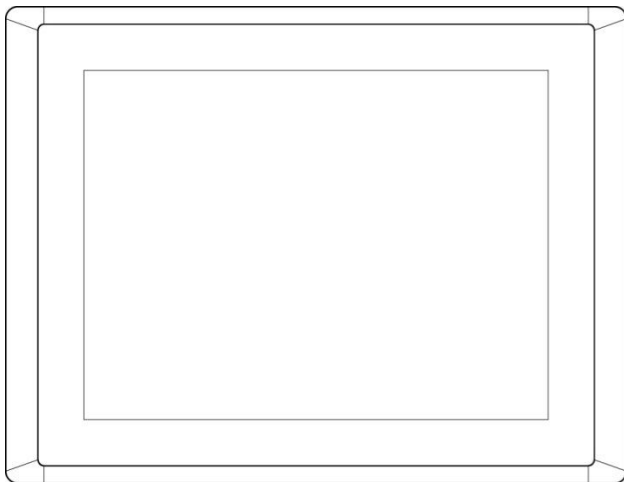
Chapter 1

Product Introductions

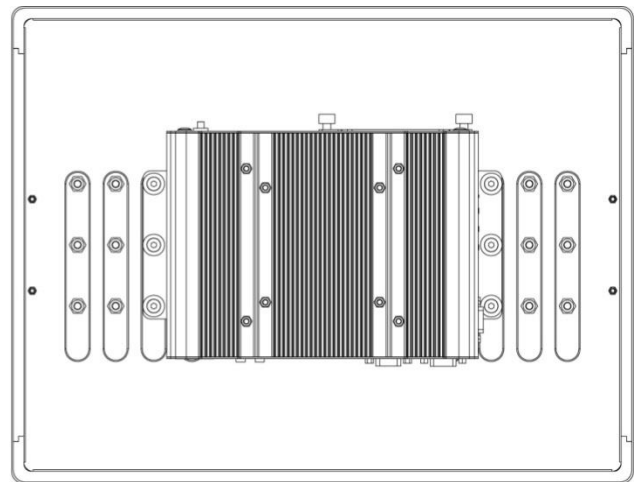
1.1 Overview

The CV-100/P1000 Series all-in-one panel PC offers LED backlight LCD. It features flat surface and IP65 dust/waterproof front panel. In addition, designed with aluminum die-cast front frame with rugged body structure that can be able to apply in industrial applications. The CV-100/P1000 Series supports Convertible Display System (CDS) technology which makes it more flexible in system maintaining and upgrading. The CV-100/P1000 Series carries single touch function with resistive 5-wire touch screen. By incorporating with Intel® Atom™ E3845 processor and DDR3L memory, The CV-100/P1000 Series offers extensive I/O including 4x USB, 2x RS232/422/485, 1x VGA, 1x DisplayPort and 4 DI / 4DO.

The CV-100/P1000 Series supports 3G and WLAN via 2x GbE and 1x Mini-PCIe socket. Furthermore, they are 3 types of storage devices including 2.5" SATA HDD, CFast and SIM card. The accessible design of these storage devices allow quick data access and easy maintenance. Supporting wide range power DC input from 9 ~ 48VDC, The CV-100/P1000 Series can be deployed and powered for various industrial applications.



Front



Rear



1.2 Hardware Specification

1.2.1 CV-108/P1000

CV-108R/P1000 | CV-108C/P1000

Display

- LCD Size: 8.4" (4:3)
- Max. Resolution: 800 x 600
- Brightness (cd/m²): 400
- Contrast Ratio: 600 : 1
- LCD Color: 262K
- Pixel Pitch (mm): 0.213 (H) x 0.213 (V)
- Viewing Angle (H-V): 150 / 130
- Backlight MTBF: 30000 hrs (LED Backlight)

Touch

- Resistive 5-wire Touch for CV-108R/P1000 Only
- Projected Capacitive Touch for CV-108C/P1000 Only

Environment

- Operating Temperature: Ambient with Air Flow:
CV-108R/P1000: -20°C to 70°C
CV-108C/P1000: -20°C to 70°C
(with Industrial Grade Peripherals)
- Storage Temperature:
CV-108R/P1000: -30°C to 80°C
CV-108C/P1000: -20°C to 70°C
- Relative humidity:
CV-108R/P1000: 90% RH @ 60°C (non-condensing)
CV-108C/P1000: 85% RH @ 60°C (non-condensing)
- IP Level: IP 65 Compliant Front Panel

Physical

- Dimension (WxHxD):
CV-108/P1001: 262 x 186.2 x 65 mm
CV-108/P1001E: 262 x 186.2 x 87.5 mm
- Weight:
CV-108R/P1001: 2.96 kg
CV-108C/P1001: 2.90 kg
CV-108R/P1001E: 3.16 kg
CV-108C/P1001E: 3.10 kg
- Construction Front Panel: Die-cast Flat Surface
- Mounting: Panel / VESA Mounting / *Rack Mounting (*with optional mounting kit)

Processor System

- Onboard Intel® Atom™ Processor E3845 Quad Core, 1.91 GHz with AMI 64Mbit SPI BIOS.

Memory

- 1x 204-Pin SO-DIMM DDR3L 1066 / 1333MHz (un-buffered and non-ECC), Max. up to 8GB

Ethernet

- 2 x Intel® i210-AT GbE LAN Port, Support Wake-on-LAN and PXE

Storage

- 1x External 2.5" SATA HDD Bay
- 1x External CFast Socket
- 1x External SIM Card Socket

I/O Ports

- 1x VGA
- 1x DisplayPort
- 1x USB 3.0
- 3x USB 2.0
- 2x DB9 for COM1~2, Support RS232/422/485 with Auto Flow Control
- 8x Optical Isolated DIO (4x DI, 4x DO), 10-Pin Terminal Block, Support 9~30V
- 1x Line-out
- 1x Mic-in
- 1x Power Switch
- 1x Reset Button
- 1x AT/ATX Switch

Expansion

- 1x Full-size Mini PCIe Socket for Wi-Fi / GSM / Expansion Module
- 2x Universal I/O Bracket (CV-108/P1001E Only)

Other Features

- Watchdog Timer: Software Programmable Supports 256 Levels System Reset
- Audio: AMP 2W + 2W (Internal Speaker)
- OSD Function: LCD On/Off, Brightness Up/Down

Power Requirement

- Support AT, ATX Mode
- 1x 3-pin Terminal Block Connector with Power Input 9~48VDC
- 1x Optional AC/DC 12V/5A, 60W Power Adapter

Operating System

- Windows® 10/8.1/7
- Linux® Kernel 3.x

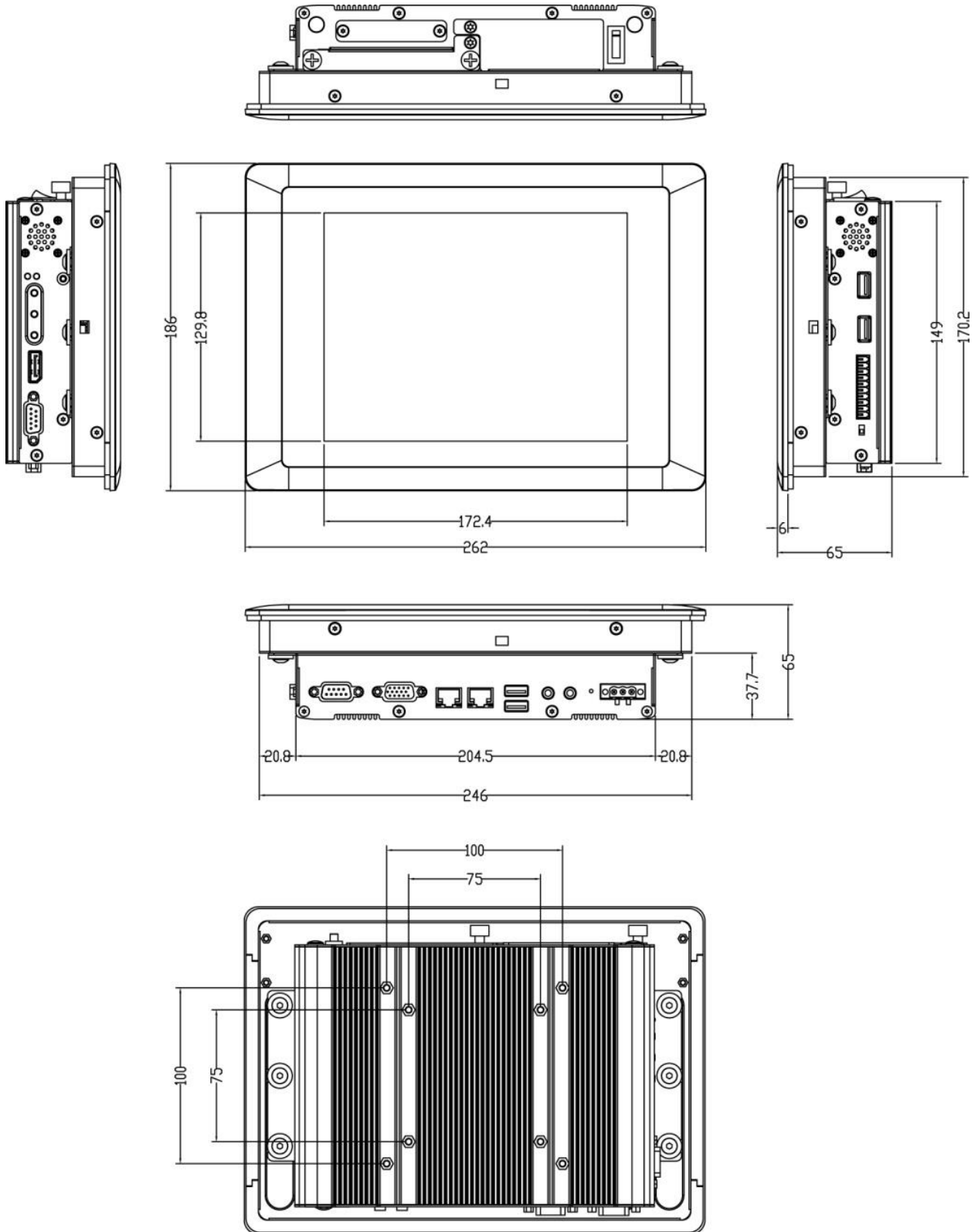
Certification

- CE
- FCC Class A

Dimension

CV-108/P1001

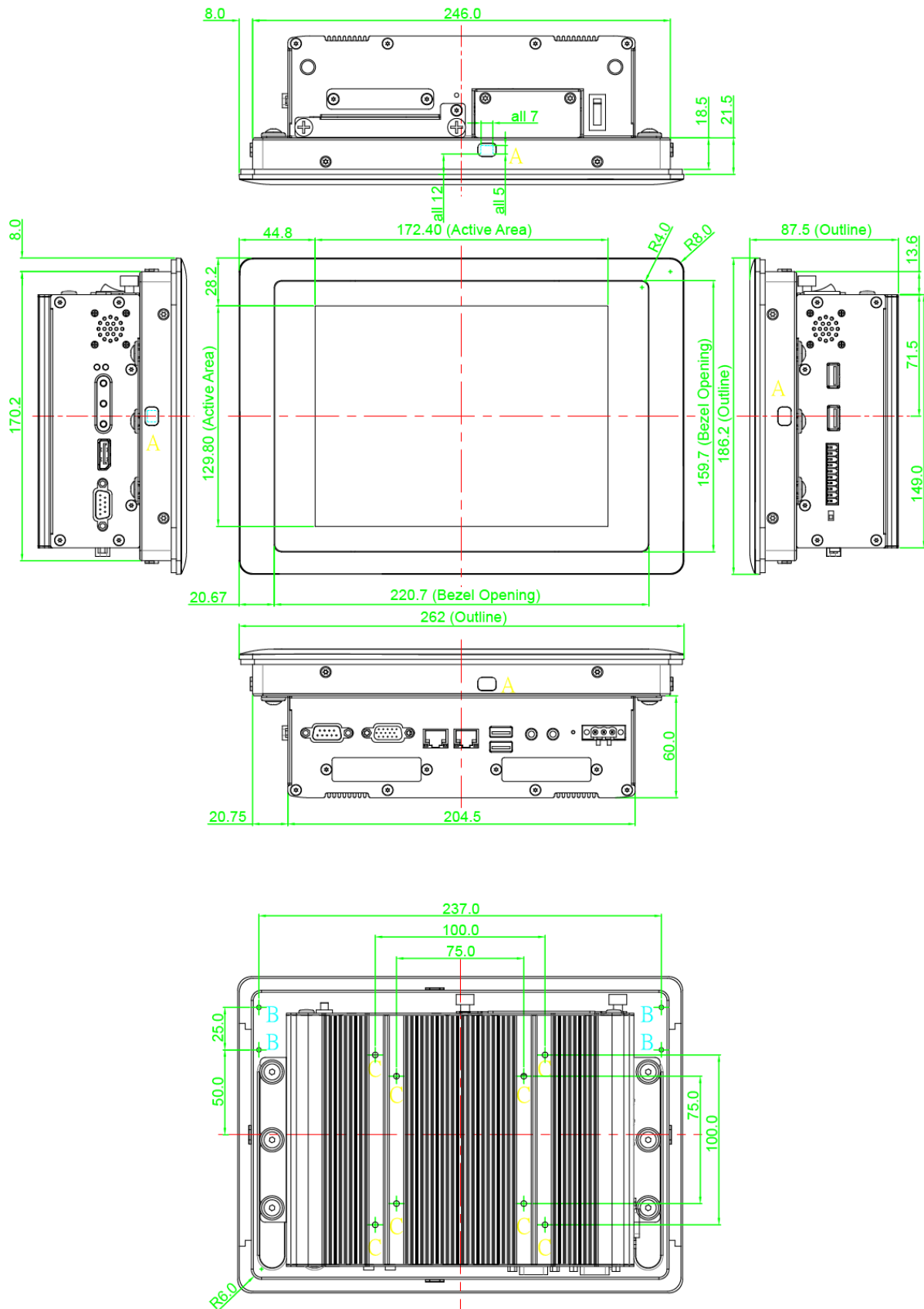
Unit: mm



Dimension

CV-108/P1001E

Unit: mm



1.2.2 CV-110/P1000

CV-110R/P1000 | CV-110C/P1000

Display

- LCD Size: 10.4" (4:3)
- Max. Resolution: 800 x 600
- Brightness (cd/m2): 400
- Contrast Ratio: 700 : 1
- LCD Color: 16.2M
- Pixel Pitch (mm): 0.264 (H) x 0.264 (V)
- Viewing Angle (H-V): 160 / 130
- Backlight MTBF: 70000 hrs (LED Backlight)

Touch

- Resistive 5-wire Touch for CV-110R/P1001 Only
- Projected Capacitive Touch for CV-110C/P1001 Only

Environment

- Operating Temperature: Ambient with Air Flow: -20°C to 70°C (with Industrial Grade Peripherals)
- Storage Temperature: -30°C to 80°C
- Relative humidity: 90% RH @ 40°C (Non-Condensing)
- IP Level: IP 65 Compliant Front Panel

Physical

- Dimension (WxHxD):
 - CV-110/P1001: 295 x 227.3 x 65 mm
 - CV-110/P1001E: 295 x 227.3 x 87.5 mm
- Weight:
 - CV-110/P1001: 3.58 kg
 - CV-110/P1001E: 3.78 kg
- Construction Front Panel: Die-cast Flat Surface
- Mounting: Panel / VESA Mounting / *Rack Mounting (*with optional mounting kit)

CV-110HR/P1000 | CV-110HC/P1000

Display

- LCD Size: 10.4" (4:3)
- Max. Resolution: 1024 x 768
- Brightness (cd/m2): 400
- Contrast Ratio: 1400 : 1
- LCD Color: 16.2M
- Pixel Pitch (mm): 0.2055 (H) x 0.2055 (V)
- Viewing Angle (H-V): 178 / 178
- Backlight MTBF: 50000 hrs (LED Backlight)

Touch

- Resistive 5-wire Touch for CV-110HR/P1001 Only
- Projected Capacitive Touch for CV-110HC/P1001 Only

Environment

- Operating Temperature: Ambient with Air Flow: -20°C to 70°C (with Industrial Grade Peripherals)
- Storage Temperature: -30°C to 80°C
- Relative humidity: 90% RH @ 40°C (Non-Condensing)
- IP Level: IP 65 Compliant Front Panel

Physical

- Dimension (WxHxD):
 - CV-110H/P1001: 295 x 227.3 x 65 mm
 - CV-110H/P1001E: 295 x 227.3 x 87.5 mm
- Weight:
 - CV-110H/P1001: 3.58 kg
 - CV-110H/P1001E: 3.78 kg
- Construction Front Panel: Die-cast Flat Surface
- Mounting: Panel / VESA Mounting / *Rack Mounting (*with optional mounting kit)

Processor System

- Onboard Intel® Atom™ Processor E3845 Quad Core, 1.91 GHz with AMI 64Mbit SPI BIOS.

Memory

- 1x 204-Pin SO-DIMM DDR3L 1066 / 1333MHz (un-buffered and non-ECC), max. up to 8GB

Ethernet

- 2 x Intel® i210-AT GbE LAN Port, Support Wake-on-LAN and PXE

Storage

- 1x External 2.5" SATA HDD Bay
- 1x External CFast Socket
- 1x External SIM Card Socket

I/O Ports

- 1x VGA
- 1x DisplayPort
- 1x USB 3.0
- 3x USB 2.0
- 2x DB9 for COM1~2, Support RS232/422/485 with Auto Flow Control
- 8x Optical Isolated DIO (4x DI, 4x DO), 10-Pin Terminal Block, Support 9~30V
- 1x Line-out
- 1x Mic-in
- 1x Power Switch
- 1x Reset Button
- 1x AT/ATX Switch

Expansion

- 1x Full-size Mini PCIe Socket for Wi-Fi / GSM / Expansion Module
- 2x Universal I/O Bracket (CV-110/P1001E & CV-110H/P1001E Only)

Other Features

- Watchdog Timer: Software Programmable Supports 256 Levels System Reset
- Audio: AMP 2W + 2W (Internal Speaker)
- OSD Function: LCD On/Off, Brightness Up/Down

Power Requirement

- Support AT, ATX Mode
- 1x 3-pin Terminal Block Connector with Power Input 9~48VDC
- 1x Optional AC/DC 12V/5A, 60W Power Adapter

Operating System

- Windows® 10/8.1/7
- Linux® Kernel 3.x

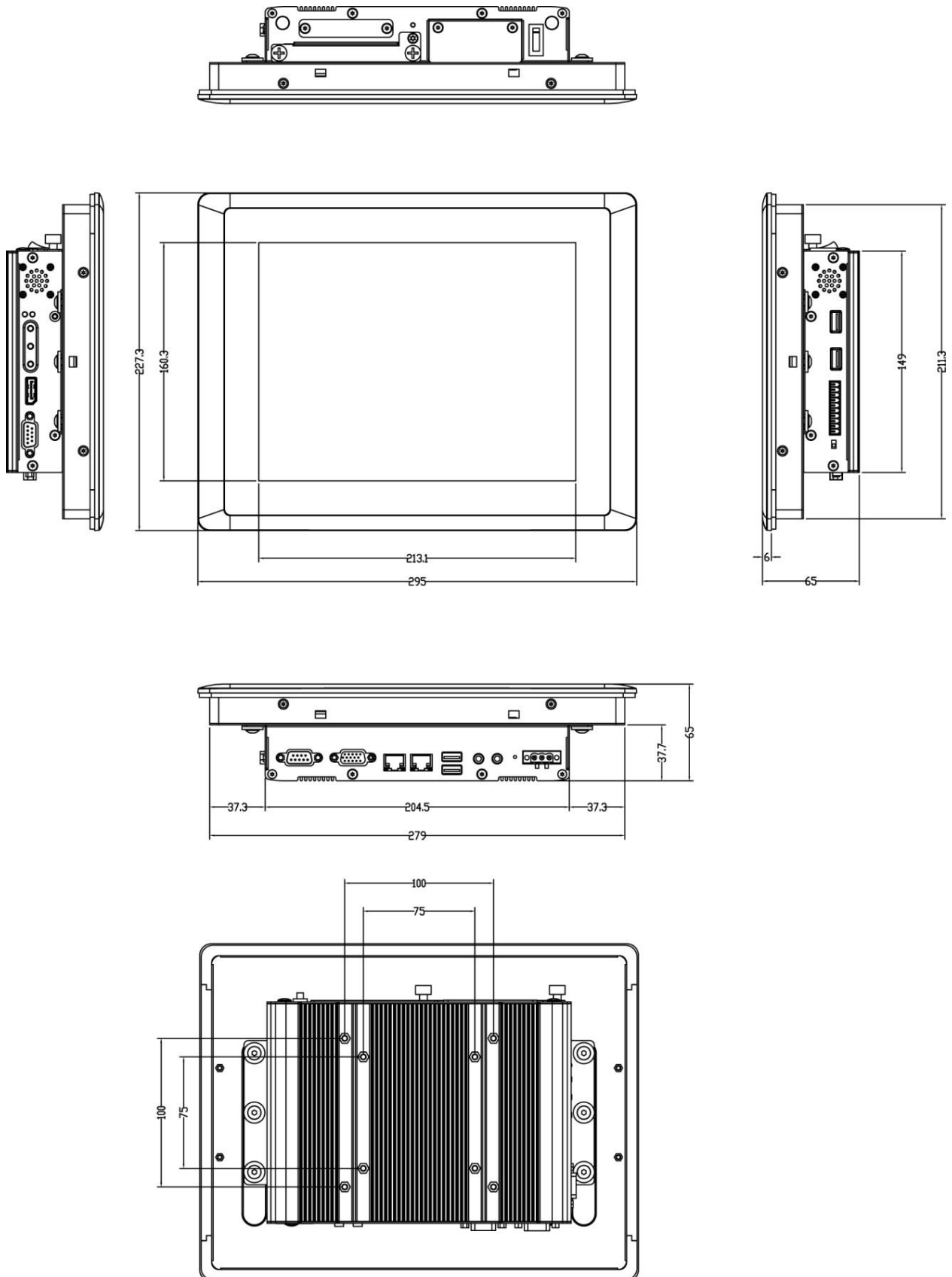
Certification

- CE
- FCC Class A

Dimension

CV-110/P1001
CV-110H/P1001

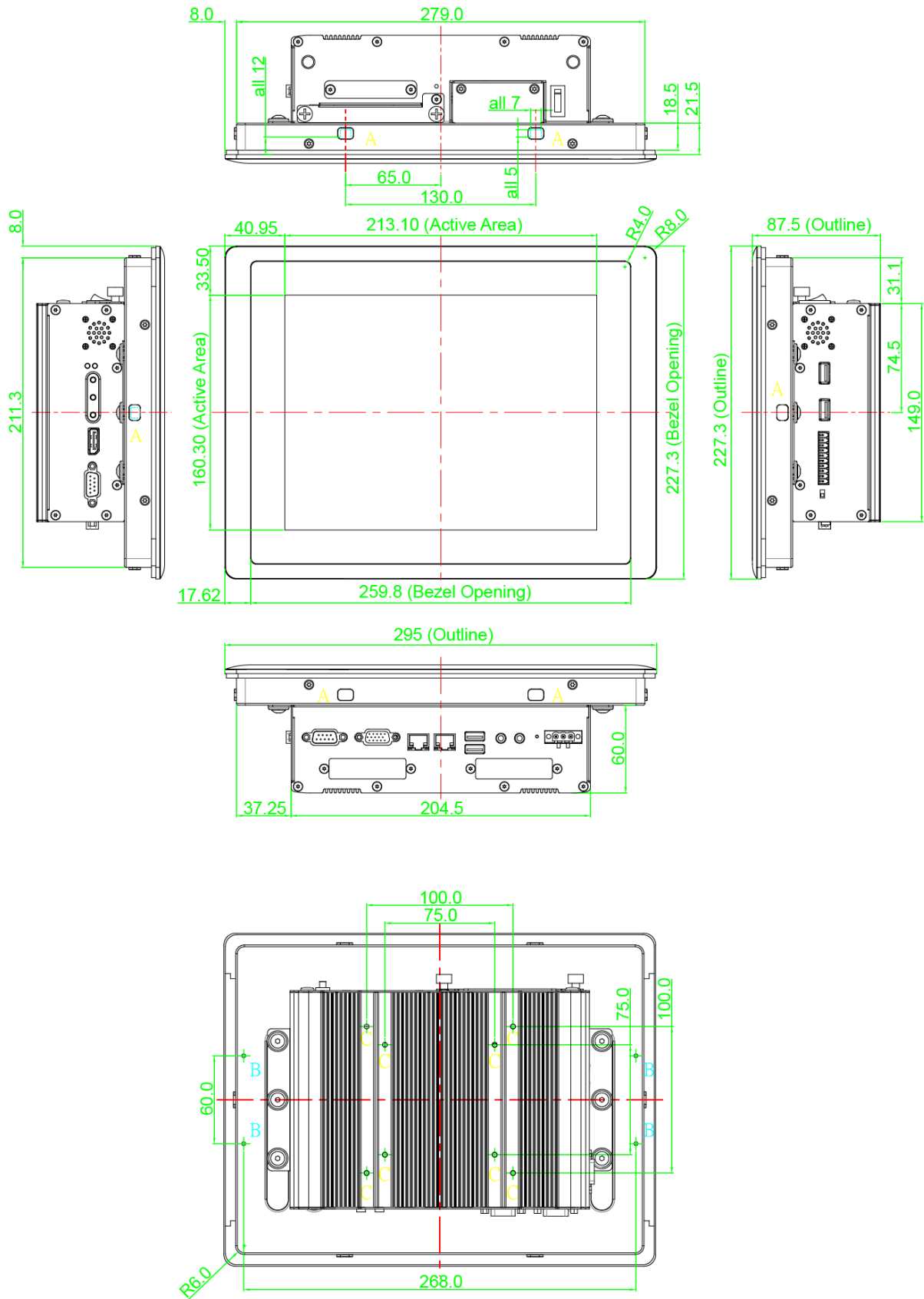
Unit: mm



Dimension

CV-110/P1001E
CV-110H/P1001E

Unit: mm



1.2.3 CV-112/P1000

CV-112R/P1000 | CV-112C/P1000

Display

- LCD Size: 12.1" (4:3)
- Max. Resolution: 800 x 600
- Brightness (cd/m²): 450
- Contrast Ratio: 800 : 1
- LCD Color: 262K
- Pixel Pitch (mm): 0.3075 (H) x 0.3075 (V)
- Viewing Angle (H-V): 160 / 140
- Backlight MTBF: 50000 hrs (LED Backlight)

Touch

- Resistive 5-wire Touch for CV-112R/P1001 Only
- Projected Capacitive Touch for CV-112C/P1001 Only

Environment

- Operating Temperature: Ambient with Air Flow: -20°C to 70°C (with Industrial Grade Peripherals)
- Storage Temperature: -30°C to 80°C
- Relative humidity: 90% RH @ 40°C (Non-Condensing)
- IP Level: IP 65 Compliant Front Panel

Physical

- Dimension (WxHxD):
 - CV-112/P1001: 345 x 265.3 x 65.5 mm
 - CV-112/P1001E: 345 x 265.3 x 88 mm
- Weight:
 - CV-112/P1001: 4.5 kg
 - CV-112/P1001E: 4.7 kg
- Construction Front Panel: Die-cast Flat Surface
- Mounting: Panel / VESA Mounting / *Rack Mounting (*with optional mounting kit)

CV-112HR/P1000 | CV-112HC/P1000

Display

- LCD Size: 12.1" (4:3)
- Max. Resolution: 1024 x 768
- Brightness (cd/m²): 500
- Contrast Ratio: 700 : 1
- LCD Color: 16.2M
- Pixel Pitch (mm): 0.24 (H) x 0.24 (V)
- Viewing Angle (H-V): 160 / 160
- Backlight MTBF: 30000 hrs (LED Backlight)

Touch

- Resistive 5-wire Touch for CV-112HR/P1001 Only
- Projected Capacitive Touch for CV-112HC/P1001 Only

Environment

- Operating Temperature: Ambient with Air Flow: -20°C to 70°C (with Industrial Grade Peripherals)
- Storage Temperature: -30°C to 80°C
- Relative humidity: 90% RH @ 40°C (Non-Condensing)
- IP Level: IP 65 Compliant Front Panel

Physical

- Dimension (WxHxD):
 - CV-112H/P1001: 345 x 265.3 x 65.5 mm
 - CV-112H/P1001E: 345 x 265.3 x 88 mm
- Weight:
 - CV-112H/P1001: 4.5 kg
 - CV-112H/P1001E: 4.7 kg
- Construction Front Panel: Die-cast Flat Surface
- Mounting: Panel / Wall / VESA Mounting / *Rack Mounting (*with optional mounting kit)

Processor System

- Onboard Intel® Atom™ Processor E3845 Quad Core, 1.91 GHz with AMI 64Mbit SPI BIOS.

Memory

- 1x 204-Pin SO-DIMM DDR3L 1066 / 1333MHz (un-buffered and non-ECC), max. up to 8GB

Ethernet

- 2 x Intel® i210-AT GbE LAN Port, Support Wake-on-LAN and PXE

Storage

- 1x External 2.5" SATA HDD Bay
- 1x External CFast Socket
- 1x External SIM Card Socket

I/O Ports

- 1x VGA
- 1x DisplayPort
- 1x USB 3.0
- 3x USB 2.0
- 2x DB9 for COM1~2, Support RS232/422/485 with Auto Flow Control
- 8x Optical Isolated DIO (4x DI, 4x DO), 10-Pin Terminal Block, Support 9~30V
- 1x Line-out
- 1x Mic-in
- 1x Power Switch
- 1x Reset Button
- 1x AT/ATX Switch

Expansion

- 1x Full-size Mini PCIe Socket for Wi-Fi / GSM / Expansion Module
- 2x Universal I/O Bracket (CV-112/P1001E & CV-112H/P1001E Only)

Other Features

- Watchdog Timer: Software Programmable Supports 256 Levels System Reset
- Audio: AMP 2W + 2W (Internal Speaker)
- OSD Function: LCD On/Off, Brightness Up/Down

Power Requirement

- Support AT, ATX Mode
- 1x 3-pin Terminal Block Connector with Power Input 9~48VDC
- 1x Optional AC/DC 12V/5A, 60W Power Adapter

Operating System

- Windows® 10/8.1/7
- Linux® Kernel 3.x

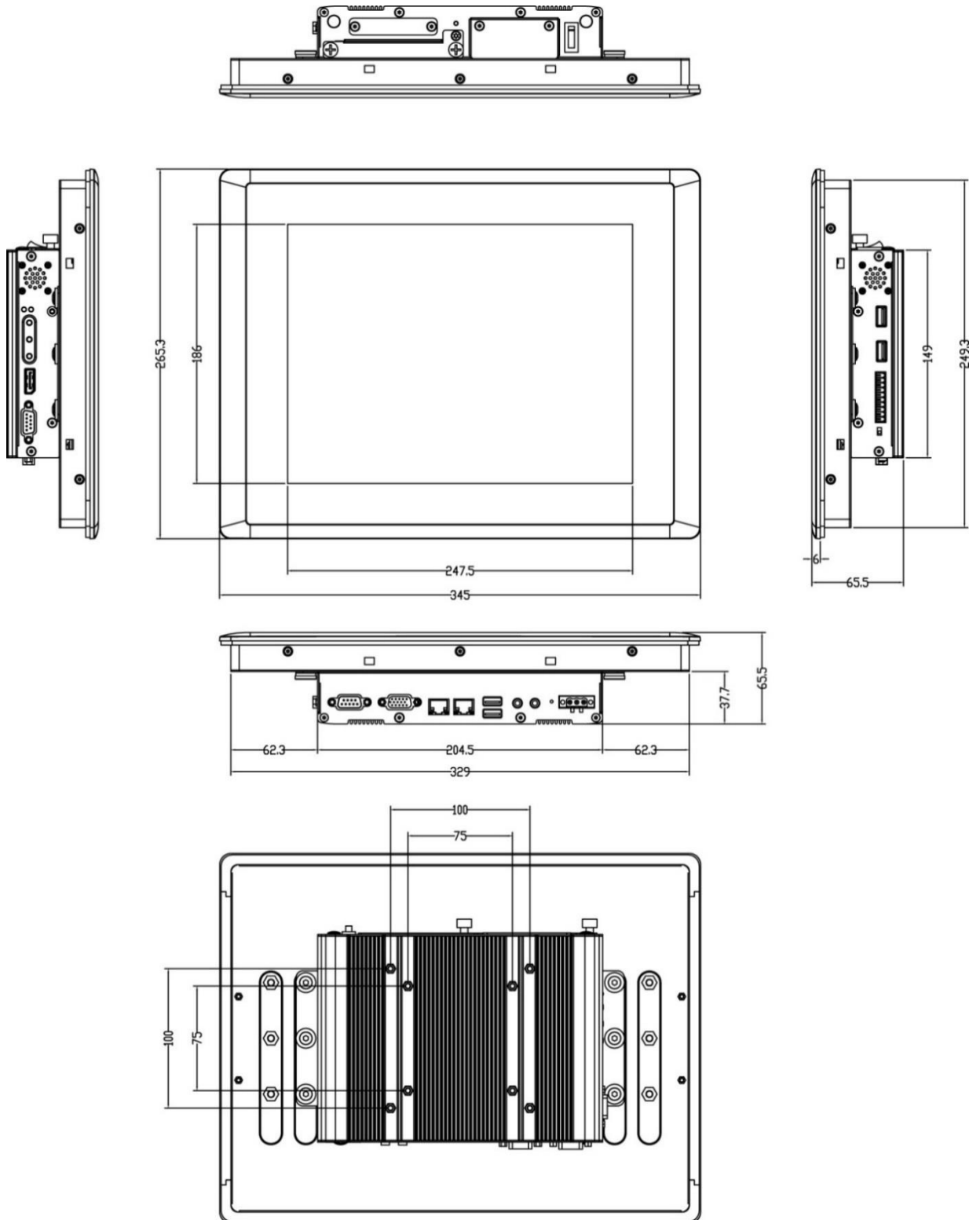
Certification

- CE
- FCC Class A

Dimension

CV-112/P1001
CV-112H/P1001

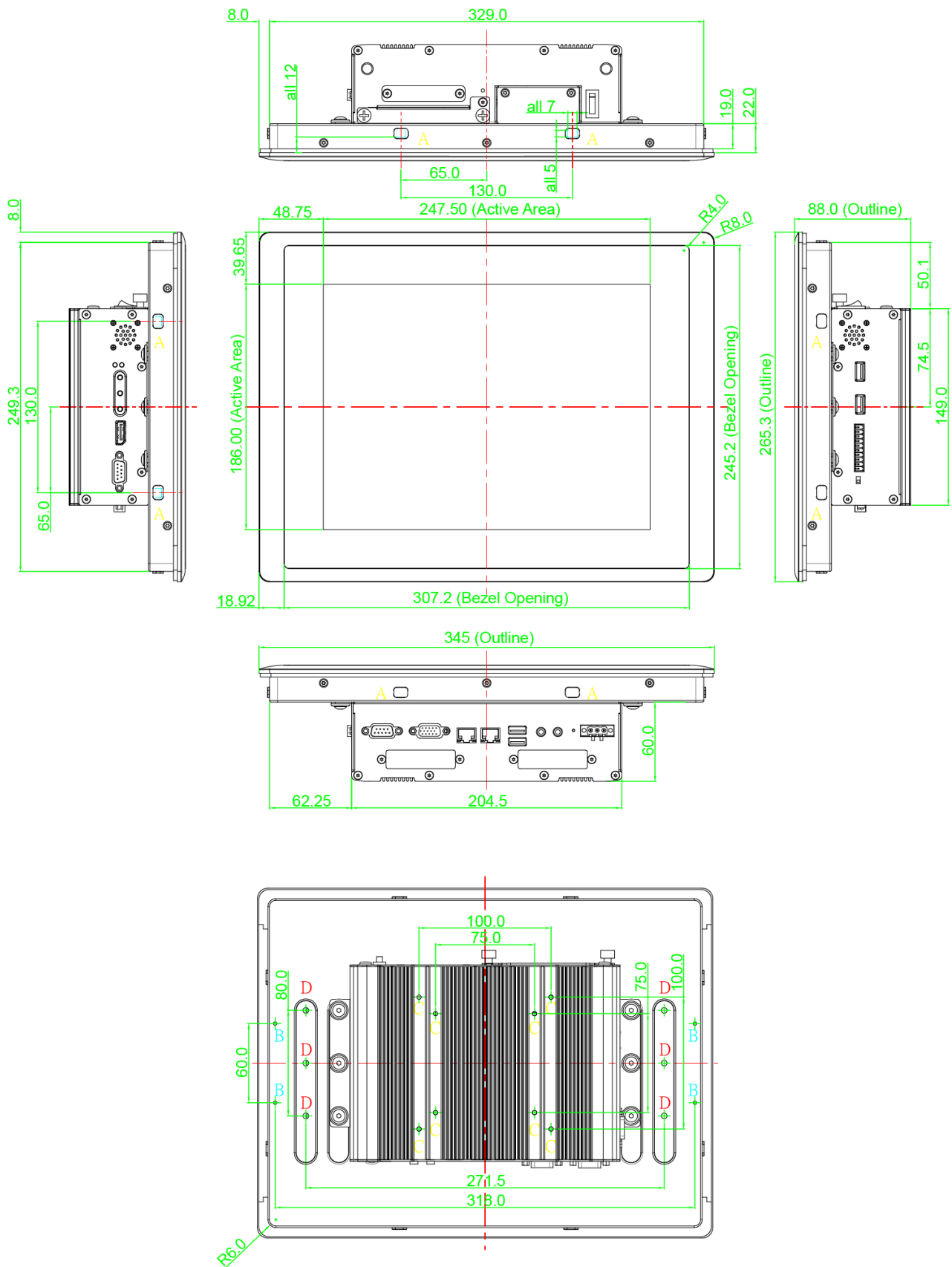
Unit: mm



Dimension

CV-112/P1001E
CV-112H/P1001E

Unit: mm



1.2.4 CV-115/P1000

CV-115R/P1000 | CV-115C/P1000

Display

- LCD Size: 15" (4:3)
- Max. Resolution: 1024 x 768
- Brightness (cd/m²): 350
- Contrast Ratio: 800 : 1
- LCD Color: 16.2M
- Pixel Pitch (mm): 0.297 (H) x 0.297 (V)
- Viewing Angle (H-V): 160 / 150
- Backlight MTBF: 50000 hrs (LED Backlight)

Touch

- Resistive 5-wire Touch for CV-115R/P1001 and CV-115R/P1001E Only
- Projected Capacitive Touch for CV-115C/P1001 and CV-115C/P1001E Only

Environment

CV-115R/P1001:

- Operating Temperature: Ambient with air flow: -10°C to 60°C (with Industrial Grade Peripherals)
- Storage Temperature: -20°C to 75°C
- Relative Humidity: 90% RH @ 40°C (non-condensing)
- IP Level: IP 65 Compliant Front Panel

CV-115R/P1001E:

- Operating Temperature: Ambient with air flow: 0°C to 65°C (with Industrial Grade Peripherals)
- Storage Temperature: -20°C to 65°C
- Relative Humidity: 90% RH @ 40°C (non-condensing)
- IP Level: IP 65 Compliant Front Panel

Physical

- Dimension (WxHxD):
 - CV-115/P1001: 408 x 312.4 x 68 mm
 - CV-115/P1001E: 408 x 312.4 x 90.85 mm
- Weight:
 - CV-115/P1001: 5.7 kg
 - CV-115/P1001E: 5.9 kg
- Construction Front Panel: Die-cast Flat Surface
- Mounting: Panel / VESA Mounting / *Rack Mounting (*with optional mounting kit)

Processor System

- Onboard Intel® Atom™ Processor E3845 Quad Core, 1.91 GHz with AMI 64Mbit SPI BIOS.

Memory

- 1x 204-Pin SO-DIMM DDR3L 1066 / 1333MHz (un-buffered and non-ECC), max. up to 8 GB

Ethernet

- 2 x Intel® i210-AT GbE LAN Port, Support Wake-on-LAN and PXE

Storage

- 1x External 2.5" SATA HDD Bay
- 1x External CFast Socket
- 1x External SIM Card Socket

I/O Ports

- 1x VGA
- 1x DisplayPort
- 1x USB 3.0
- 3x USB 2.0
- 2 x Intel® i210-AT GbE LAN Port (Support Wake-on-LAN and PXE) (CV-115/P1001E Only)
- 2x DB9 for COM1~2, Support RS232/422/485 with Auto Flow Control
- 8x Optical Isolated DIO (4x DI, 4x DO), 10-Pin Terminal Block, Support 9~30V
- 1x Line-out
- 1x Mic-in
- 1x Power Switch
- 1x Reset Button
- 1x AT/ATX Switch

Expansion

- 1x Full-size Mini PCIe Socket for Wi-Fi / GSM / Expansion Module
- 2x Universal I/O Bracket (CV-115/P1001E Only)

Operating System

CV-115/P1001:

- Windows® 8/7/Embedded Standard 7

CV-115/P1001E:

- Windows® 10/8/7/Embedded Standard 8/Embedded Standard 7
- Linux® Ubuntu 14.04

Other Features

- Watchdog Timer: Software Programmable Supports 256 Levels System Reset
- Audio: AMP 2W + 2W (Internal Speaker)
- OSD Function: LCD On/Off, Brightness Up/Down

Power Requirement

- Support AT, ATX Mode
- 1x 3-pin Terminal Block Connector with Power Input 9~48VDC
- 1x Optional AC/DC 12V/5A, 60W Power Adapter

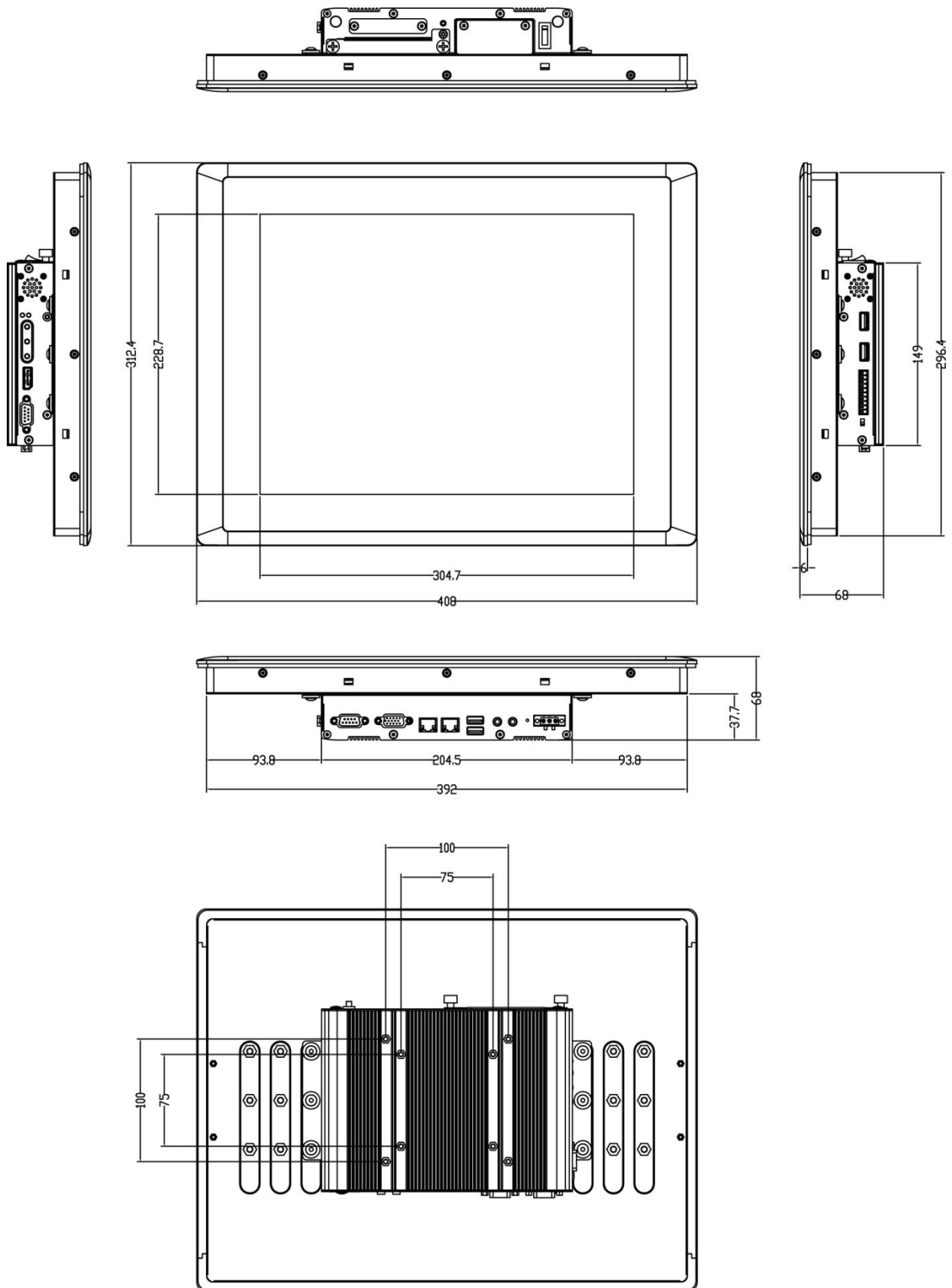
Certification

- CE
- FCC Class A

Dimension

CV-115/P1001

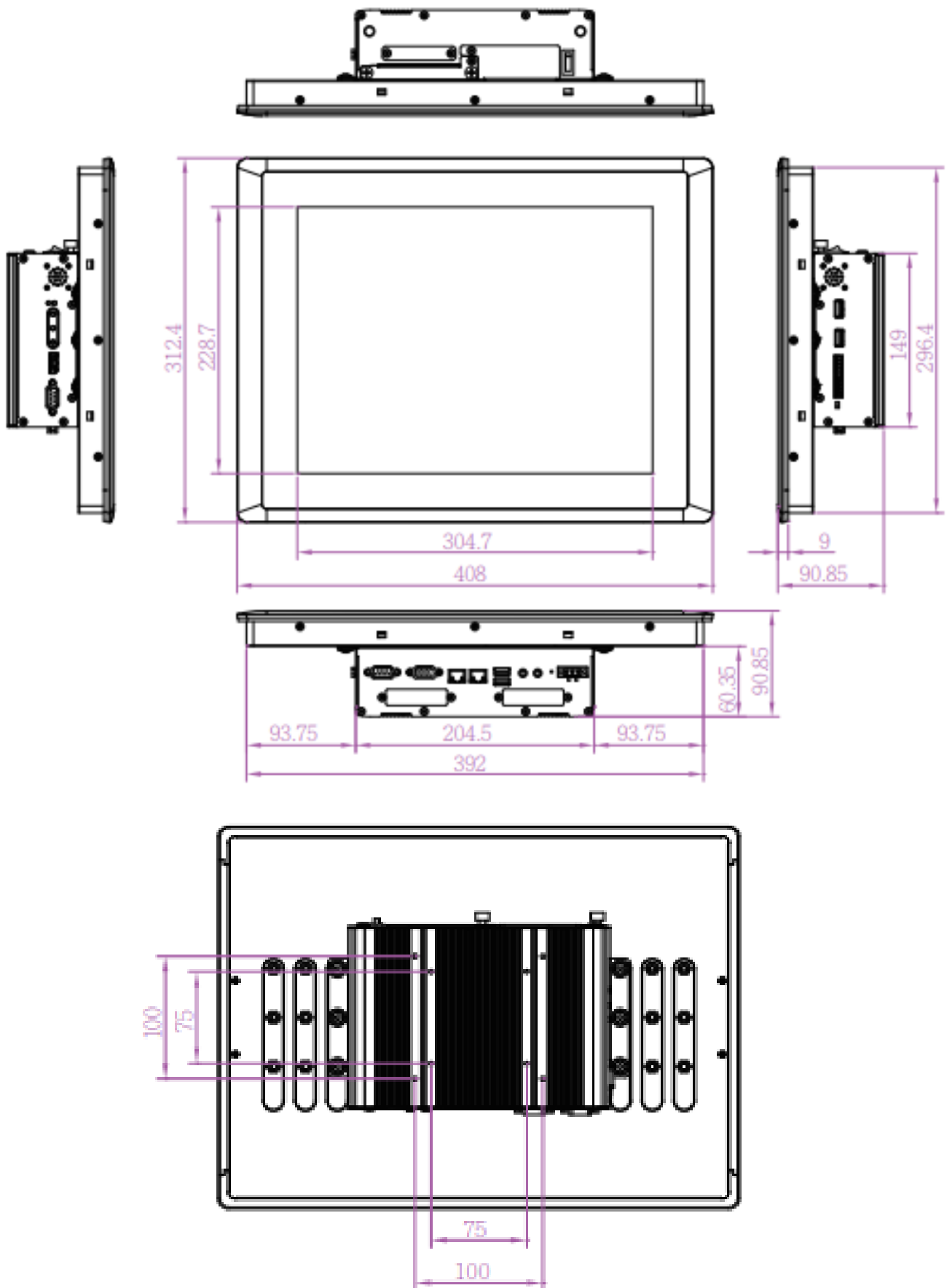
Unit: mm



Dimension

CV-115/P1001E

Unit: mm



1.2.5 CV-W115/P1000

CV-W115R/P1000 | CV-W115C/P1000

Display

- LCD Size: 15.6" (16:9)
- Max. Resolution: 1366 x 768
- Brightness (cd/m²): 400
- Contrast Ratio: 500 : 1
- LCD Color: 16.2M
- Pixel Pitch (mm): 0.252 (H) x 0.252 (V)
- Viewing Angle (H-V): 170 / 160
- Backlight MTBF: 50000 hrs (LED Backlight)

Touch

- Resistive 5-wire Touch for CV-W115R/P1001 Only
- Projected Capacitive Touch for CV-W115C/P1001 Only

Environment

- Operating Temperature: Ambient with Air Flow: 0°C to 60°C (with Industrial Grade Peripherals)
- Storage Temperature: -20°C to 60°C
- Relative humidity: 80% RH @ 50°C (Non-Condensing)
- IP Level: IP 65 Compliant Front Panel

Physical

- Dimension (WxHxD):
 - CV-W115/P1001: 420 x 254 x 75 mm
 - CV-W115/P1001E: 420 x 254 x 97.5 mm
- Weight:
 - CV-W115/P1001: 5.59 kg
 - CV-W115/P1001E: 5.79 kg
- Construction Front Panel: Die-cast Flat Surface
- Mounting: Panel / VESA Mounting / *Rack Mounting (*with optional mounting kit)

Processor System

- Onboard Intel® Atom™ Processor E3845 Quad Core, 1.91 GHz with AMI 64Mbit SPI BIOS.

Memory

- 1x 204-Pin SO-DIMM DDR3L 1066 / 1333MHz (un-buffered and non-ECC), max. up to 8GB

Ethernet

- 2 x Intel® i210-AT GbE LAN Port, Support Wake-on-LAN and PXE

Storage

- 1x External 2.5" SATA HDD Bay
- 1x External CFast Socket
- 1x External SIM Card Socket

I/O Ports

- 1x VGA
- 1x DisplayPort
- 1x USB 3.0
- 3x USB 2.0
- 2x DB9 for COM1~2, Support RS232/422/485 with Auto Flow Control
- 8x Optical Isolated DIO (4x DI, 4x DO), 10-Pin Terminal Block, Support 9~30V
- 1x Line-out
- 1x Mic-in
- 1x Power Switch
- 1x Reset Button
- 1x AT/ATX Switch

Expansion

- 1x Full-size Mini PCIe Socket for Wi-Fi / GSM / Expansion Module
- 2x Universal I/O Bracket (CV-W115/P1001E Only)

Other Features

- Watchdog Timer: Software Programmable Supports 256 Levels System Reset
- Audio: AMP 2W + 2W (Internal Speaker)
- OSD Function: LCD On/Off, Brightness Up/Down

Power Requirement

- Support AT, ATX Mode
- 1x 3-pin Terminal Block Connector with Power Input 9~48VDC
- 1x Optional AC/DC 12V/5A, 60W Power Adapter

Operating System

- Windows® 10/8.1/7
- Linux® Kernel 3.x

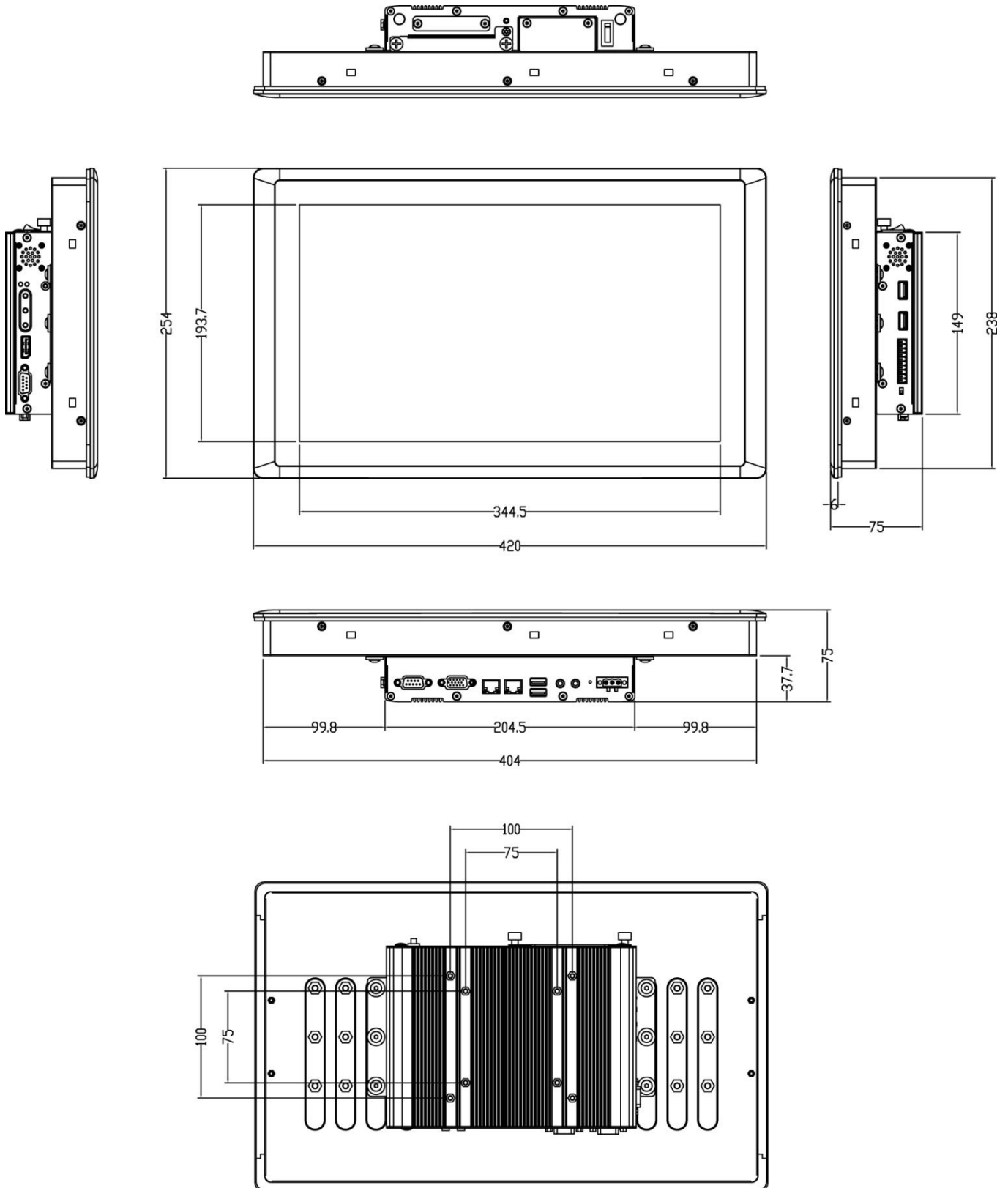
Certification

- CE
- FCC Class A

Dimension

CV-W115/P1001

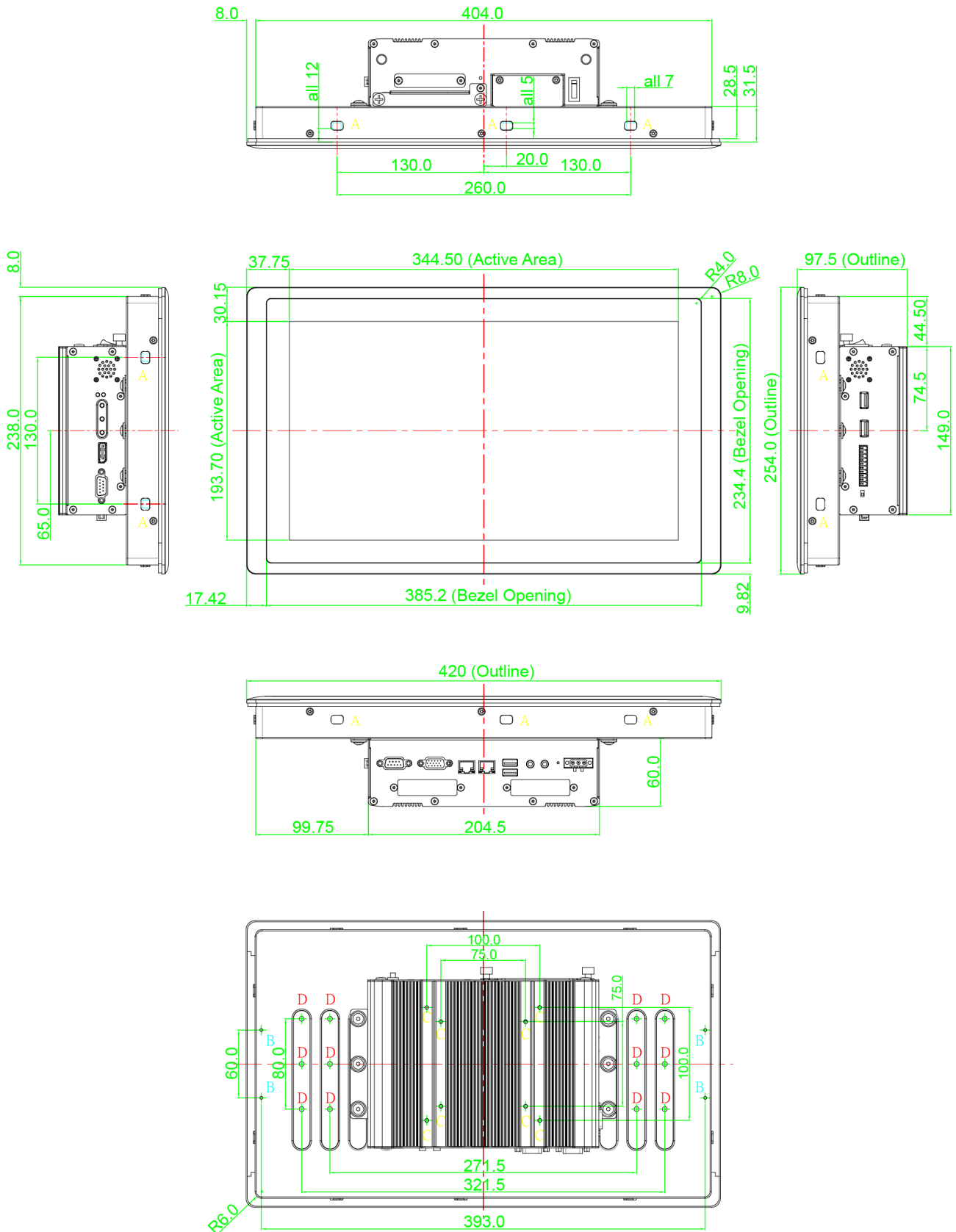
Unit: mm



Dimension

CV-W115/P1001E

Unit: mm



1.2.6 CV-117/P1000

CV-117R/P1000 | CV-117C/P1000 | CV-117G/P1000

Display

- LCD Size: 17" (5:4)
- Max. Resolution: 1280 x 1024
- Brightness (cd/m²): 350
- Contrast Ratio: 800 : 1
- LCD Color: 16.7M
- Pixel Pitch (mm): 0.264 (H) x 0.264 (V)
- Viewing Angle (H-V): 160 / 140
- Backlight MTBF: 50000 hrs (LED Backlight)

Touch

- Resistive 5-wire Touch for CV-117R/P1001 Only
- Projected Capacitive Touch for CV-117C/P1001 Only

Environment

- Operating Temperature: Ambient with Air Flow: -20°C to 70°C (with Industrial Grade Peripherals)
- Storage Temperature: -30°C to 80°C
- Relative humidity: 80% RH @ 50°C (Non-Condensing)
- IP Level: IP 65 Compliant Front Panel

Physical

- Dimension (WxHxD):
 - CV-117/P1001: 450 x 350 x 72 mm
 - CV-117/P1001E: 450 x 350 x 94.5 mm
- Weight:
 - CV-117/P1001: 6.98 kg
 - CV-117/P1001E: 7.18 kg
- Construction Front Panel: Die-cast Flat Surface
- Mounting: Panel / VESA Mounting / *Rack Mounting (*with optional mounting kit)

Processor System

- Onboard Intel® Atom™ Processor E3845 Quad Core, 1.91 GHz with AMI 64Mbit SPI BIOS.

Memory

- 1x 204-Pin SO-DIMM DDR3L 1066 / 1333MHz (un-buffered and non-ECC), max. up to 8GB

Ethernet

- 2 x Intel® i210-AT GbE LAN Port, Support Wake-on-LAN and PXE

Storage

- 1x External 2.5" SATA HDD Bay
- 1x External CFast Socket
- 1x External SIM Card Socket

I/O Ports

- 1x VGA
- 1x DisplayPort
- 1x USB 3.0
- 3x USB 2.0
- 2x DB9 for COM1~2, Support RS232/422/485 with Auto Flow Control
- 8x Optical Isolated DIO (4x DI, 4x DO), 10-Pin Terminal Block, Support 9~30V
- 1x Line-out
- 1x Mic-in
- 1x Power Switch
- 1x Reset Button
- 1x AT/ATX Switch

Expansion

- 1x Full-size Mini PCIe Socket for Wi-Fi / GSM / Expansion Module
- 2x Universal I/O Bracket (CV-117/P1001E Only)

Other Features

- Watchdog Timer: Software Programmable Supports 256 Levels System Reset
- Audio: AMP 2W + 2W (Internal Speaker)
- OSD Function: LCD On/Off, Brightness Up/Down

Power Requirement

- Support AT, ATX Mode
- 1x 3-pin Terminal Block Connector with Power Input 9~48VDC
- 1x Optional AC/DC 12V/5A, 60W Power Adapter

Operating System

- Windows® 10/8.1/7
- Linux® Kernel 3.x

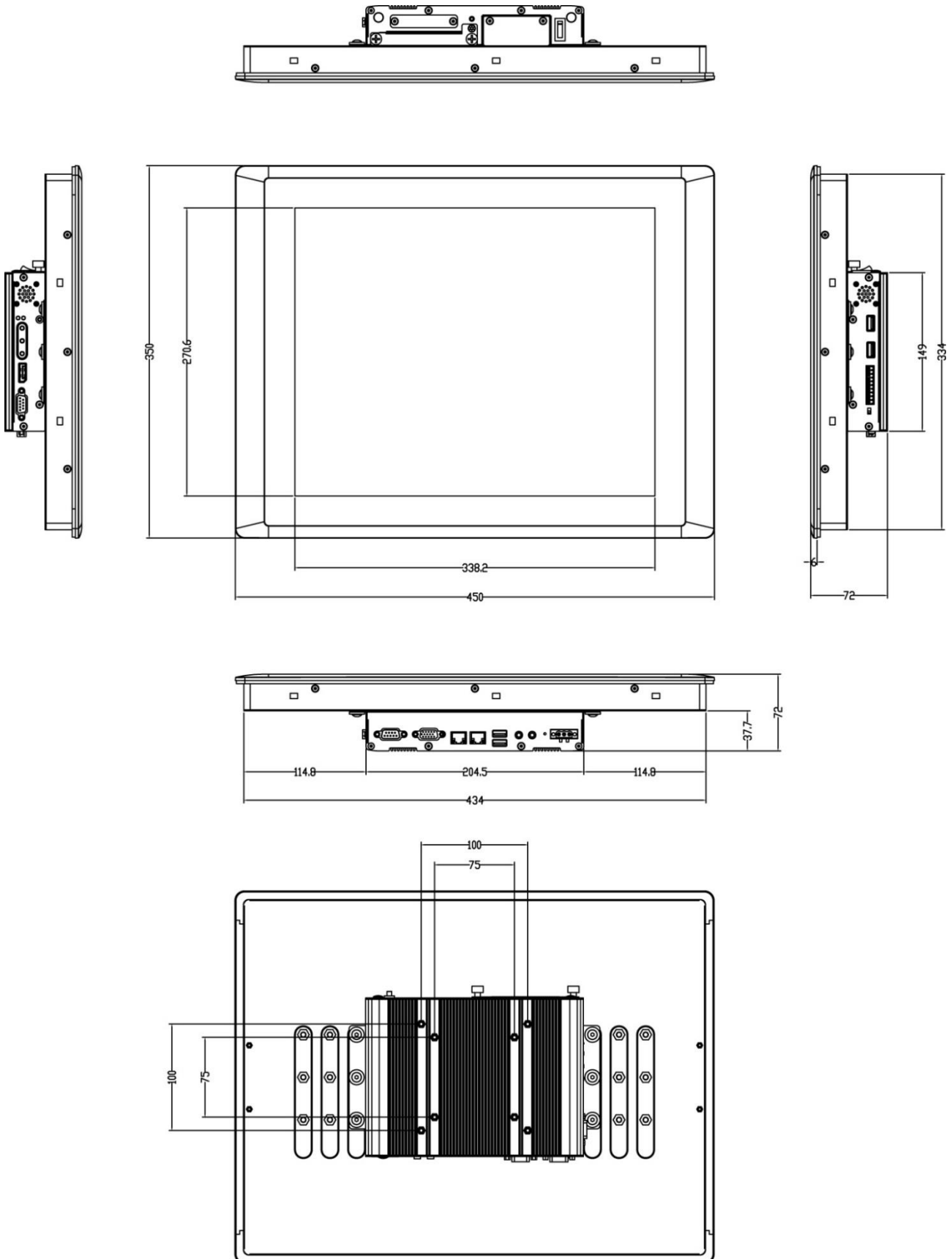
Certification

- CE
- FCC Class A

Dimension

CV-117/P1001

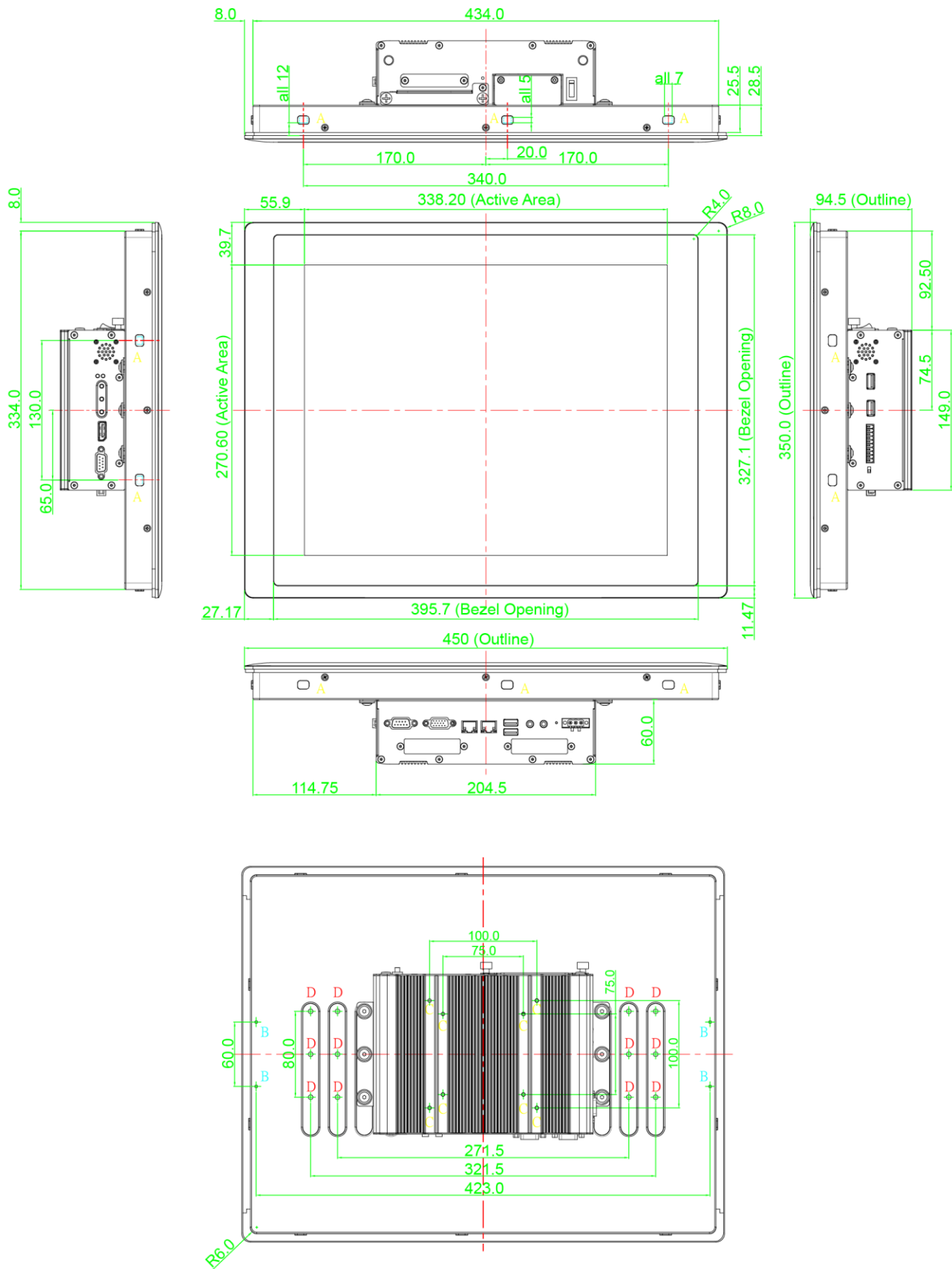
Unit: mm



Dimension

CV-117/P1001E

Unit: mm



1.2.7 CV-119/P1000

CV-119R/P1000 | CV-119C/P1000 | CV-119G/P1000

Display

- LCD Size: 19" (5:4)
- Max. Resolution: 1280 x 1024
- Brightness (cd/m²): 350
- Contrast Ratio: 1000 : 1
- LCD Color: 16.7M
- Pixel Pitch (mm): 0.294 (H) x 0.294 (V)
- Viewing Angle (H-V): 170 / 160
- Backlight MTBF: 50000 hrs (LED Backlight)

Touch

- Resistive 5-wire Touch for CV-119R/P1001 Only
- Projected Capacitive Touch for CV-119C/P1001 Only

Environment

- Operating Temperature: Ambient with Air Flow: 0°C to 50°C (with Industrial Grade Peripherals)
- Storage Temperature: -20°C to 60°C
- Relative humidity: 80% RH @ 50°C (Non-Condensing)
- IP Level: IP 65 Compliant Front Panel

Physical

- Dimension (WxHxD):
 - CV-119/P1001: 510 x 389.3 x 72 mm
 - CV-119/P1001E: 510 x 389.3 x 94.5 mm
- Weight:
 - CV-119/P1001: 8.3 kg
 - CV-119/P1001E: 8.5 kg
- Construction Front Panel: Die-cast Flat Surface
- Mounting: Panel / VESA Mounting / *Rack Mounting (*with optional mounting kit)

Processor System

- Onboard Intel® Atom™ Processor E3845 Quad Core, 1.91 GHz with AMI 64Mbit SPI BIOS.

Memory

- 1x 204-Pin SO-DIMM DDR3L 1066 / 1333MHz (un-buffered and non-ECC), max. up to 8GB

Ethernet

- 2 x Intel® i210-AT GbE LAN Port, Support Wake-on-LAN and PXE

Storage

- 1x External 2.5" SATA HDD Bay
- 1x External CFast Socket
- 1x External SIM Card Socket

I/O Ports

- 1x VGA
- 1x DisplayPort
- 1x USB 3.0
- 3x USB 2.0
- 2x DB9 for COM1~2, Support RS232/422/485 with Auto Flow Control
- 8x Optical Isolated DIO (4x DI, 4x DO), 10-Pin Terminal Block, Support 9~30V
- 1x Line-out
- 1x Mic-in
- 1x Power Switch
- 1x Reset Button
- 1x AT/ATX Switch

Expansion

- 1x Full-size Mini PCIe Socket for Wi-Fi / GSM / Expansion Module
- 2x Universal I/O Bracket (CV-119/P1001E Only)

Other Features

- Watchdog Timer: Software Programmable Supports 256 Levels System Reset
- Audio: AMP 2W + 2W (Internal Speaker)
- OSD Function: LCD On/Off, Brightness Up/Down

Power Requirement

- Support AT, ATX Mode
- 1x 3-pin Terminal Block Connector with Power Input 9~48VDC
- 1x Optional AC/DC 12V/5A, 60W Power Adapter

Operating System

- Windows® 10/8.1/7
- Linux® Kernel 3.x

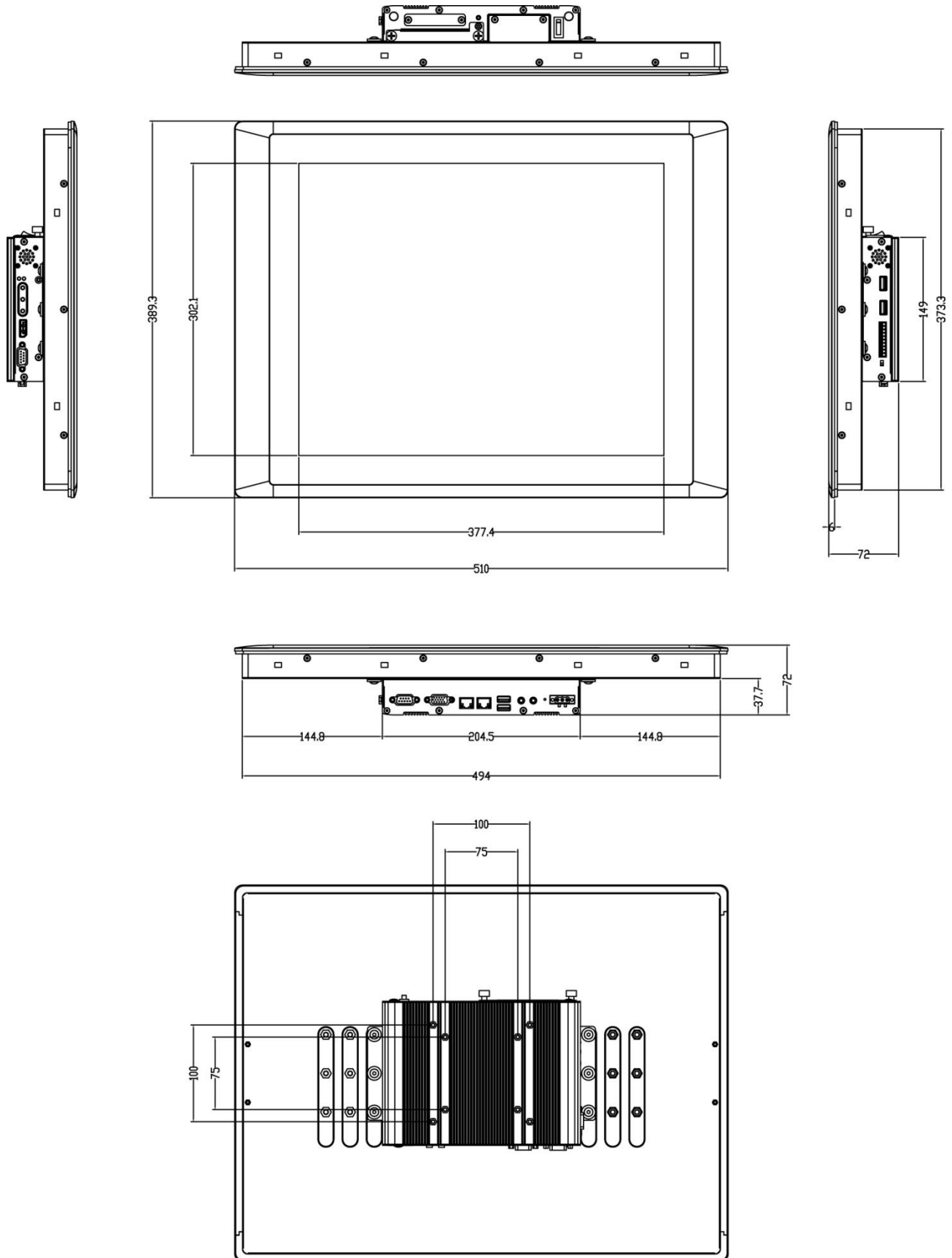
Certification

- CE
- FCC Class A

Dimension

CV-119/P1001

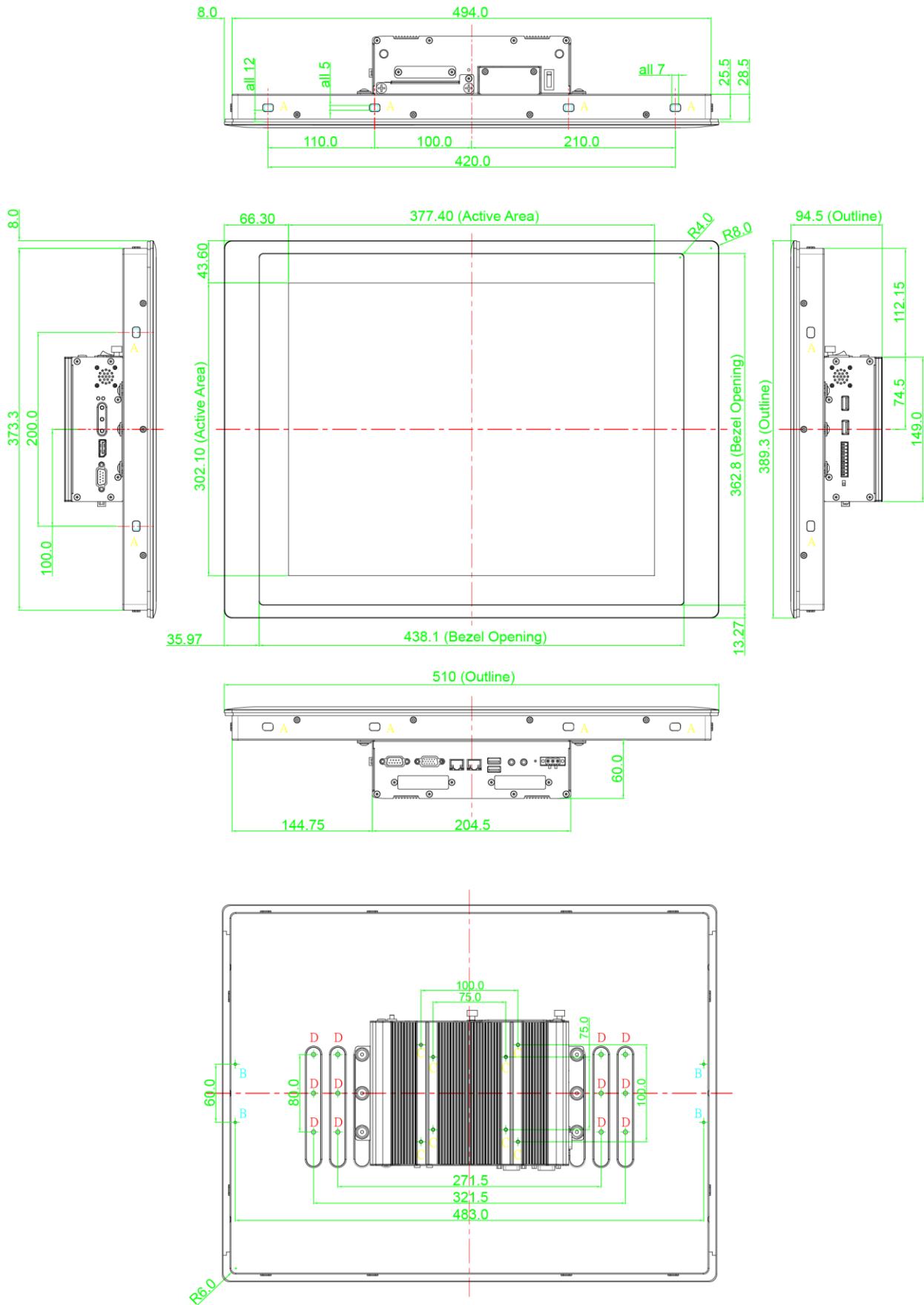
Unit: mm



Dimension

CV-119/P1001E

Unit: mm



1.2.8 CV-W121/P1000

CV-W121R/P1000 | CV-W121C/P1000 | CV-W121G/P1000

Display

- LCD Size: 21.5" (16:9)
- Max. Resolution: 1920 x 1080
- Brightness (cd/m2): 300
- Contrast Ratio: 5000 : 1
- LCD Color: 16.7M
- Pixel Pitch (mm): 0.24825 (H) x 0.24825 (V)
- Viewing Angle (H-V): 178 / 178
- Backlight MTBF: 50000 hrs (LED Backlight)

Touch

- Resistive 5-wire Touch for CV-W121R/P1001 Only
- Projected Capacitive Touch for CV-W121C/P1001 Only

Environment

- Operating Temperature: Ambient with Air Flow: 0°C to 60°C (with Industrial Grade Peripherals)
- Storage Temperature: -20°C to 60°C
- Relative humidity: 80% RH @ 50°C (Non-Condensing)
- IP Level: IP 65 Compliant Front Panel

Physical

- Dimension (WxHxD):
 - CV-W121/P1001: 550 x 330.5 x 72 mm
 - CV-W121/P1001E: 550 x 330.5 x 94.5 mm
- Weight:
 - CV-W121/P1001: 6.9 kg
 - CV-W121/P1001E: 7.1 kg
- Construction Front Panel: Die-cast Flat Surface
- Mounting: Panel / VESA Mounting / *Rack Mounting (*with optional mounting kit)

Processor System

- Onboard Intel® Atom™ Processor E3845 Quad Core, 1.91 GHz with AMI 64Mbit SPI BIOS.

Memory

- 1x 204-Pin SO-DIMM DDR3L 1066 / 1333MHz (un-buffered and non-ECC), max. up to 8GB

Ethernet

- 2 x Intel® i210-AT GbE LAN Port, Support Wake-on-LAN and PXE

Storage

- 1x External 2.5" SATA HDD Bay
- 1x External CFast Socket
- 1x External SIM Card Socket

I/O Ports

- 1x VGA
- 1x DisplayPort
- 1x USB 3.0
- 3x USB 2.0
- 2x DB9 for COM1~2, Support RS232/422/485 with Auto Flow Control
- 8x Optical Isolated DIO (4x DI, 4x DO), 10-Pin Terminal Block, Support 9~30V
- 1x Line-out
- 1x Mic-in
- 1x Power Switch
- 1x Reset Button
- 1x AT/ATX Switch

Expansion

- 1x Full-size Mini PCIe Socket for Wi-Fi / GSM / Expansion Module
- 2x Universal I/O Bracket (CV-W121/P1001E Only)

Other Features

- Watchdog Timer: Software Programmable Supports 256 Levels System Reset
- Audio: AMP 2W + 2W (Internal Speaker)
- OSD Function: LCD On/Off, Brightness Up/Down

Power Requirement

- Support AT, ATX Mode
- 1x 3-pin Terminal Block Connector with Power Input 9~48VDC
- 1x Optional AC/DC 12V/5A, 60W Power Adapter

Operating System

- Windows® 10/8.1/7
- Linux® Kernel 3.x

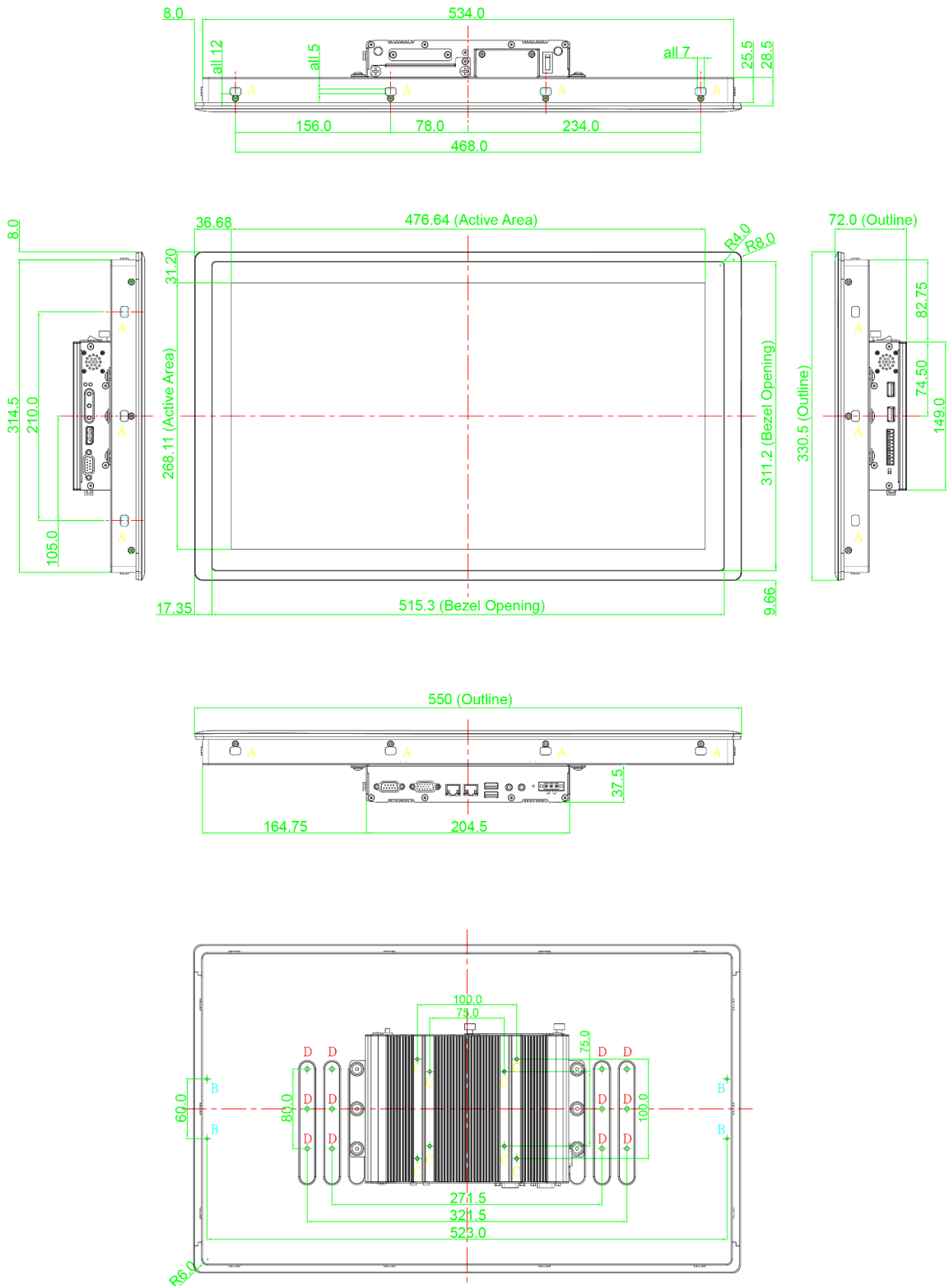
Certification

- CE
- FCC Class A

Dimension

CV-W121/P1001

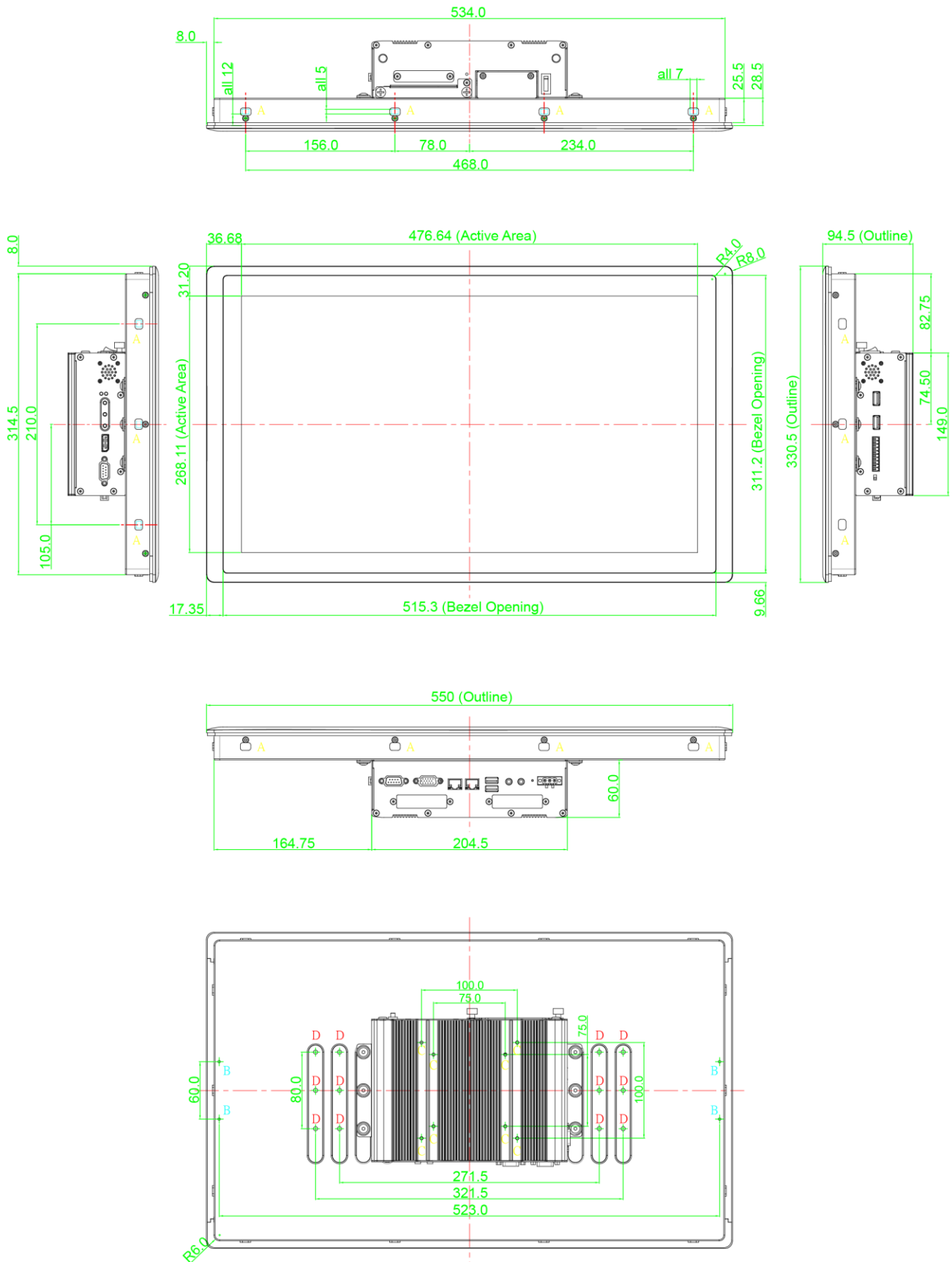
Unit: mm



Dimension

CV-W121/P1001E

Unit: mm



1.2.9 CV-W124/P1000

CV-W124R/P1000 | CV-W124C/P1000

Display

- LCD Size: 24" (16:9)
- Max. Resolution: 1920 x 1080
- Brightness (cd/m²): 300
- Contrast Ratio: 5000 : 1
- LCD Color: 16.7M
- Pixel Pitch (mm): 0.277 (H) x 0.277 (V)
- Viewing Angle (H-V): 178 / 178
- Backlight MTBF: 50000 hrs (LED Backlight)

Touch

- Resistive 5-wire Touch for CV-W124R/P1000 Only
- Projected Capacitive Touch for CV-W124C/P1000 Only

Environment

- Operating Temperature: Ambient with Air Flow:
CV-W124R/P1001 & CV-W124R/P1001E: -10°C to 60°C
CV-W124C/P1001 & CV-W124C/P1001E: -20°C to 70°C
(with Industrial Grade Peripherals)
- Storage Temperature:
CV-W124R/P1001 & CV-W124R/P1001E: -20°C to 70°C
CV-W124C/P1001 & CV-W124C/P1001E: -30°C to 80°C
- Relative humidity: 80% RH @ 50°C (Non-Condensing)
- IP Level: IP 65 Compliant Front Panel

Physical

- Dimension (WxHxD):
CV-W124/P1001: 605 x 373 x 72 mm
CV-W124/P1001E: 605 x 373 x 94.5 mm
- Weight:
CV-W124R/P1001: 8.26 kg
CV-W124R/P1001E: 8.46 kg
CV-W124C/P1001: 7.98 kg
CV-W124C/P1001E: 8.18 kg
- Construction Front Panel: Die-cast Flat Surface
- Mounting: Panel / VESA Mounting / *Rack Mounting (*with optional mounting kit)

Processor System

- Onboard Intel® Atom™ Processor E3845 Quad Core, 1.91 GHz with AMI 64Mbit SPI BIOS.

Memory

- 1x 204-Pin SO-DIMM DDR3L 1066 / 1333MHz, max. up to 8GB (un-buffered and non-ECC)

Storage

- 1x External 2.5" SATA HDD Bay
- 1x External CFast Socket
- 1x External SIM Card Socket

I/O Ports

- 1x VGA
- 1x DisplayPort
- 1x USB 3.0
- 3x USB 2.0
- 2 x Intel® i210-AT GbE LAN Port
(Support Wake-on-LAN, Jumbo Frame and PXE)
- 2x DB9 for COM1~2
(Support RS232/422/485 with Auto Flow Control)
- 1x 4 Isolated DI & 4 Isolated DO Port
- 1x Line-out
- 1x Mic-in
- 1x Power Switch
- 1x Reset Button
- 1x AT/ATX Switch

Expansion

- 1x Full-size Mini-PCIe Socket for Wi-Fi / GSM / Expansion Module
- 2x Universal I/O Bracket (CV-W124/P1001E Only)

Other Features

- Watchdog Timer: Software Programmable Supports 256 Levels System Reset
- Audio: AMP 2W + 2W (Internal Speaker)
- OSD Function: LCD On/Off, Brightness Up/Down

Power Requirement

- Support AT, ATX Mode
- 1x 3-pin Terminal Block Connector with Power Input 9~48VDC
- 1x Optional AC/DC 12V/5A, 60W Power Adapter

Operating System

- Windows® 10/8.1/7
- Linux® Kernel 3.x

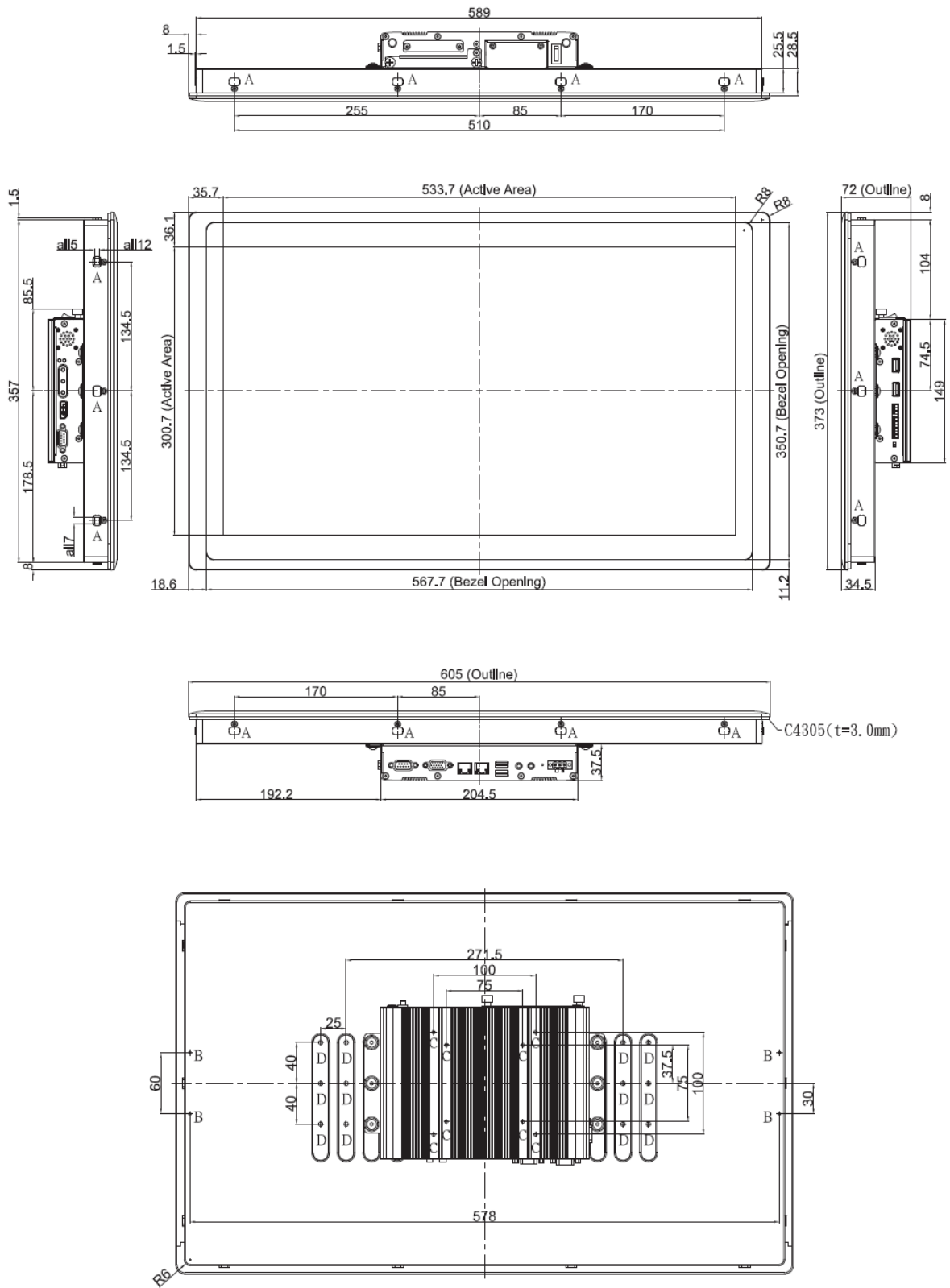
Certification

- CE
- FCC Class A

Dimension

CV-W124/P1001

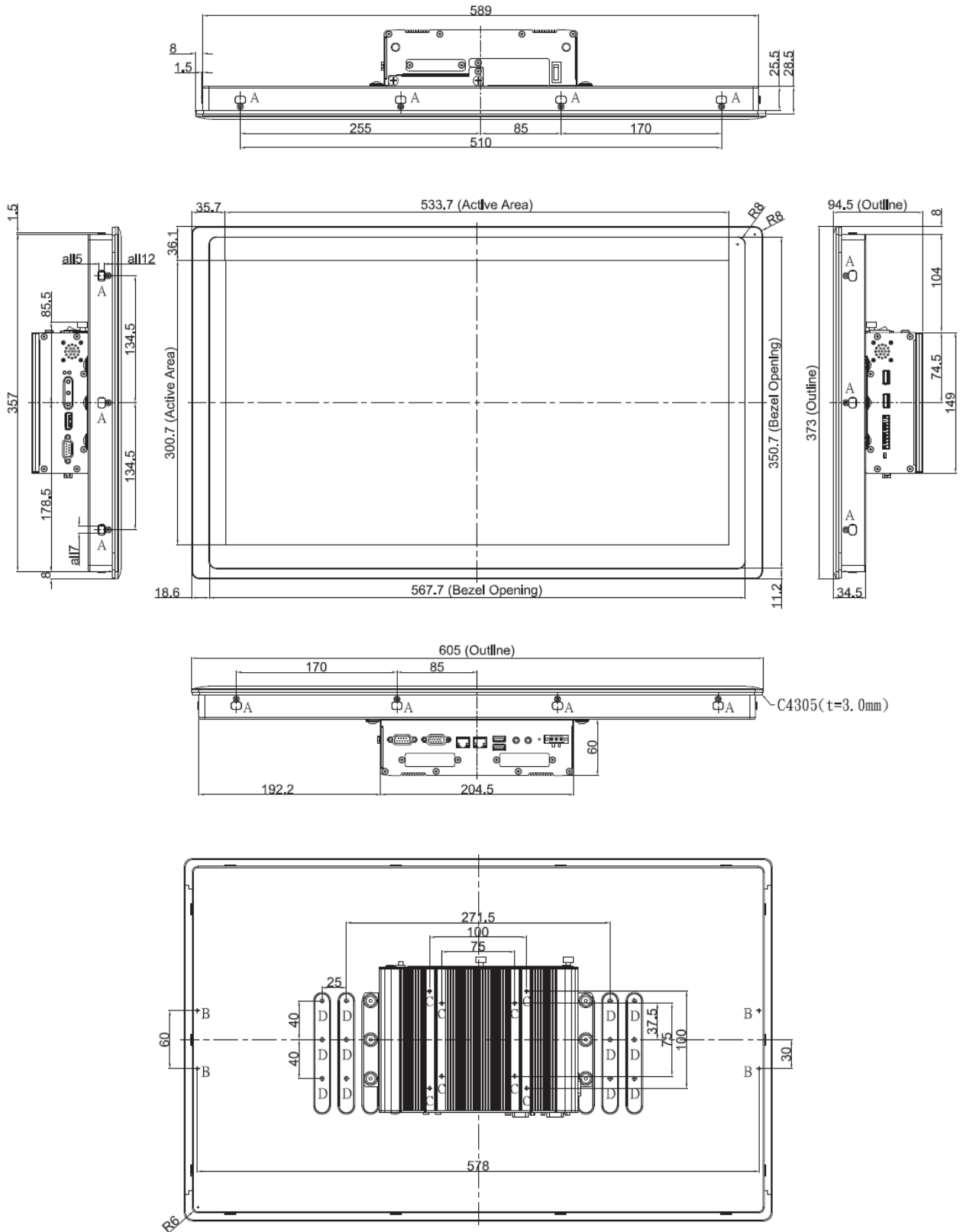
Unit: mm



Dimension

CV-W124/P1001E

Unit: mm



1.3 System I/O

1.3.1 Front

ATX Power on/off switch

Press to power-on or power-off the system

CFlash and SIM card Slot

Used to insert a CFlash card and SIM card

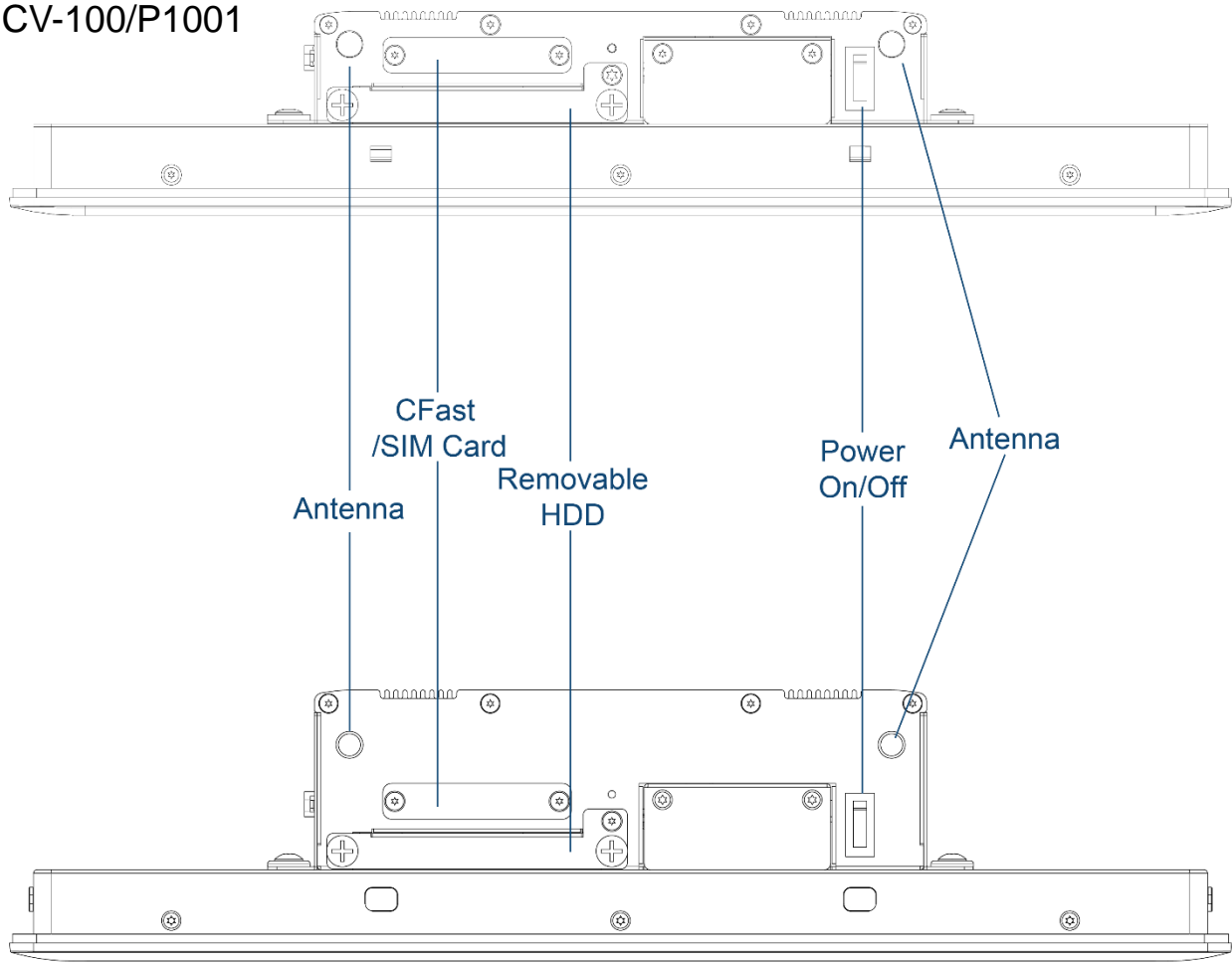
Antenna hole

Used to connect an antenna for optional Mini-PCIe WiFi module

External HDD Bay

Used to insert a 2.5" HDD or SSD

CV-100/P1001



CV-100/P1001E

1.3.2 Rear

DC IN

Used to plug a DC power input with terminal block

USB 2.0 port

Used to connect USB 2.0/1.1 device

Reset Button

Used to reset the system

LAN port

Used to connect the system to a local area network

Mic-in

Used to connect a microphone

VGA

Used to connect an analog VGA monitor

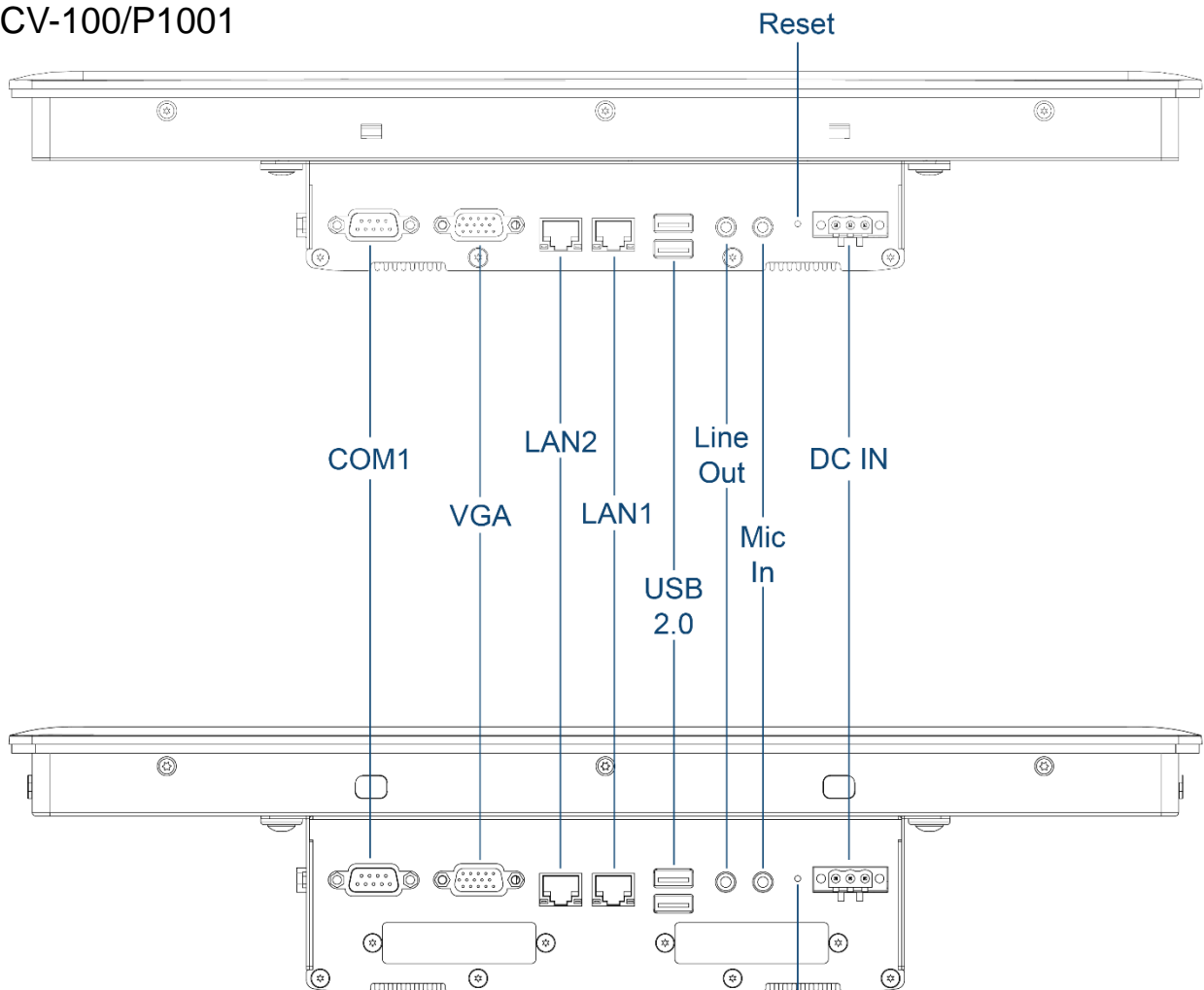
Line-out

Used to connect a external speaker

COM port

COM 1 supports RS232/422/485 serial device

CV-100/P1001



CV-100/P1001E

Reset

1.3.3 Side (Left)

USB 3.0 port

Used to connect USB 3.0/2.0/1.1 device

Digital I/O Terminal Block

The Digital I/O terminal block supports 4 digital input and 4 digital output

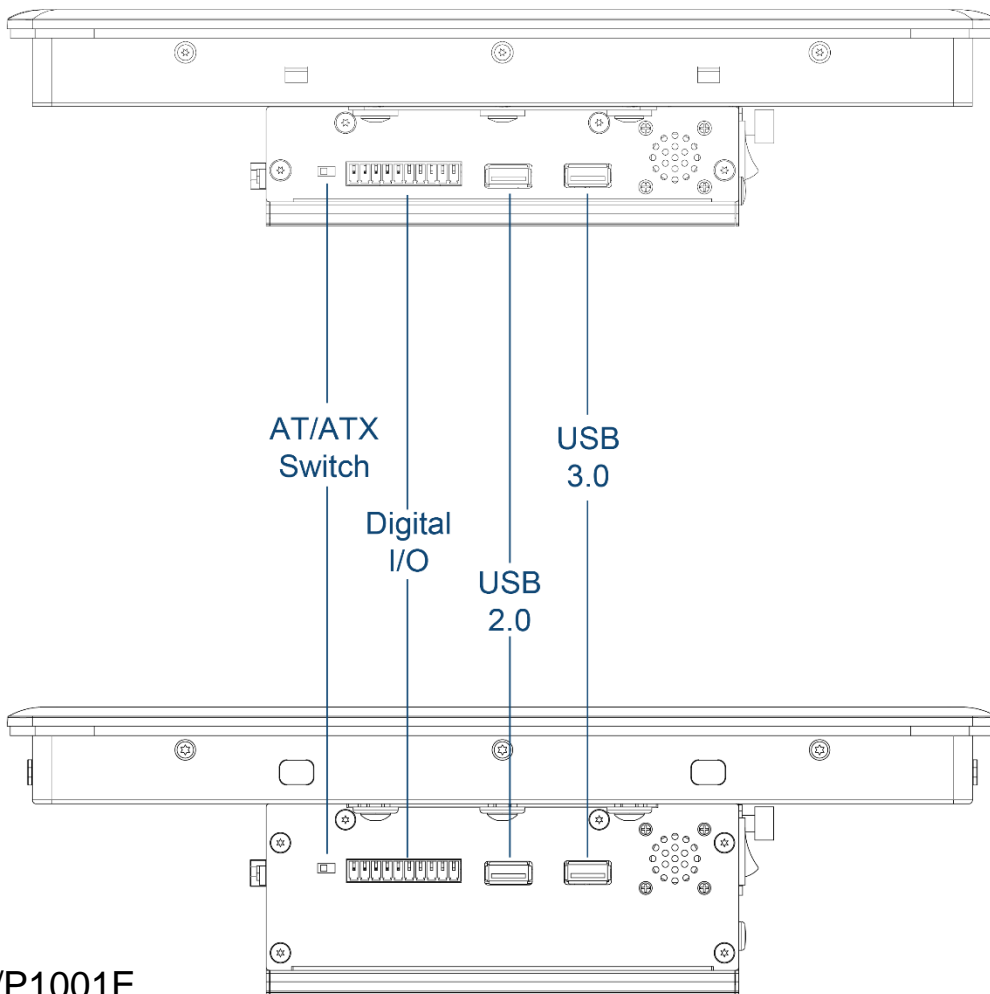
USB 2.0 port

Used to connect USB 2.0/1.1 device

AT/ATX mode select switch

Used to select AT or ATX power mode

CV-100/P1001



CV-100/P1001E

1.3.4 Side (Right)

COM port

COM 2 supports RS232/422/485 serial device

DisplayPort

Used to connect a Display Port devices

Power LED

Indicates the power status of the system

HDD LED

Indicates the status of the hard drive

OSD Function

LCD On/Off

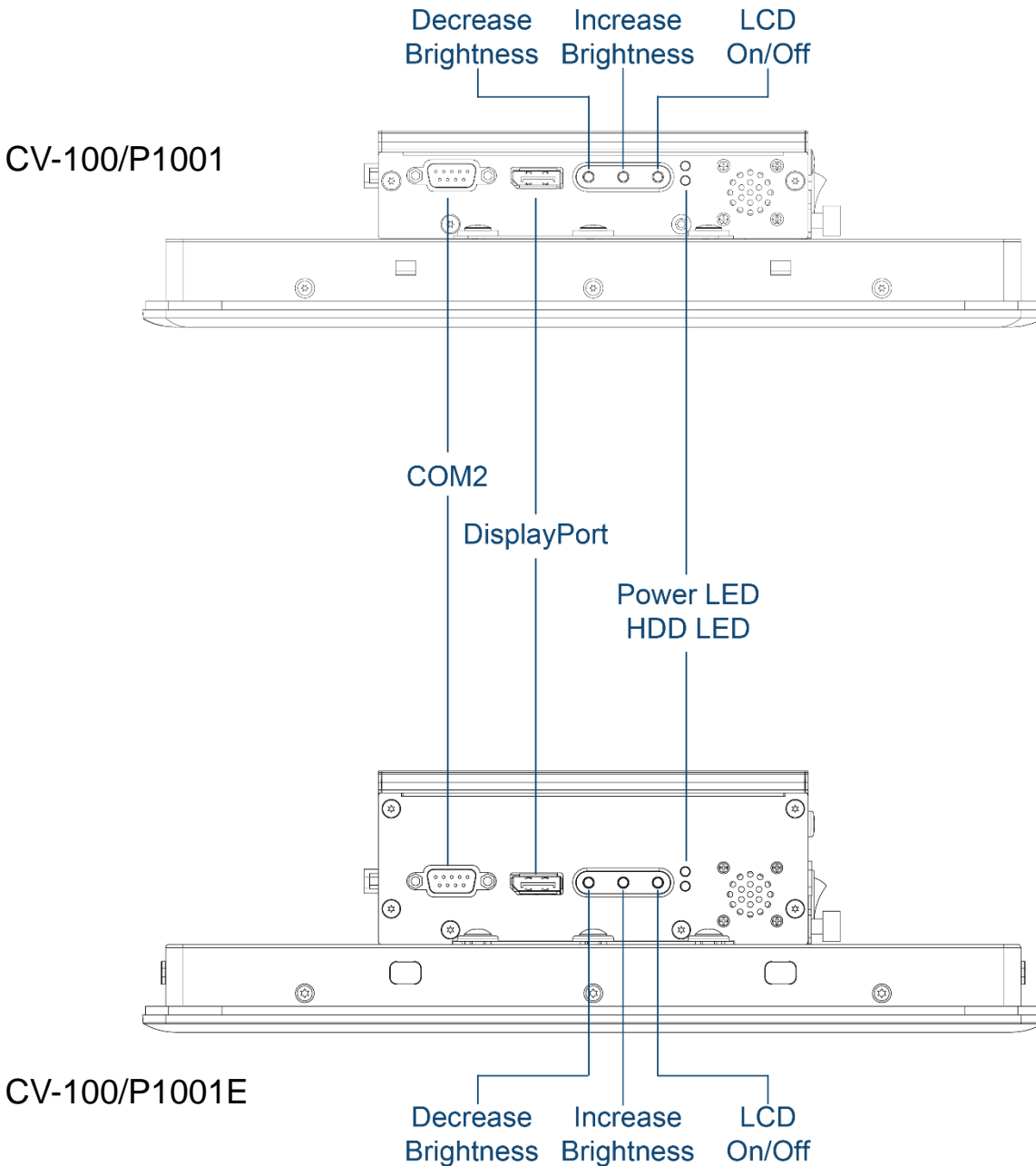
Press to turn-on or turn-off the display

Increase Brightness

Press to increase brightness of the screen

Decrease Brightness

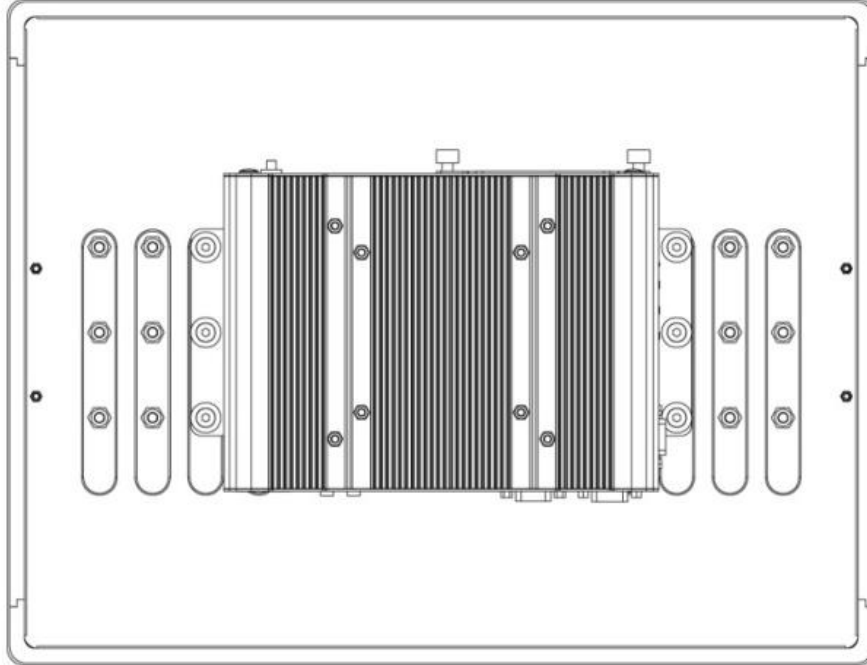
Press to decrease brightness of the screen



1.3.5 Top

VESA Mounting Hole

These are mounting holes for VESA mount (75x75mm and 100x100mm)



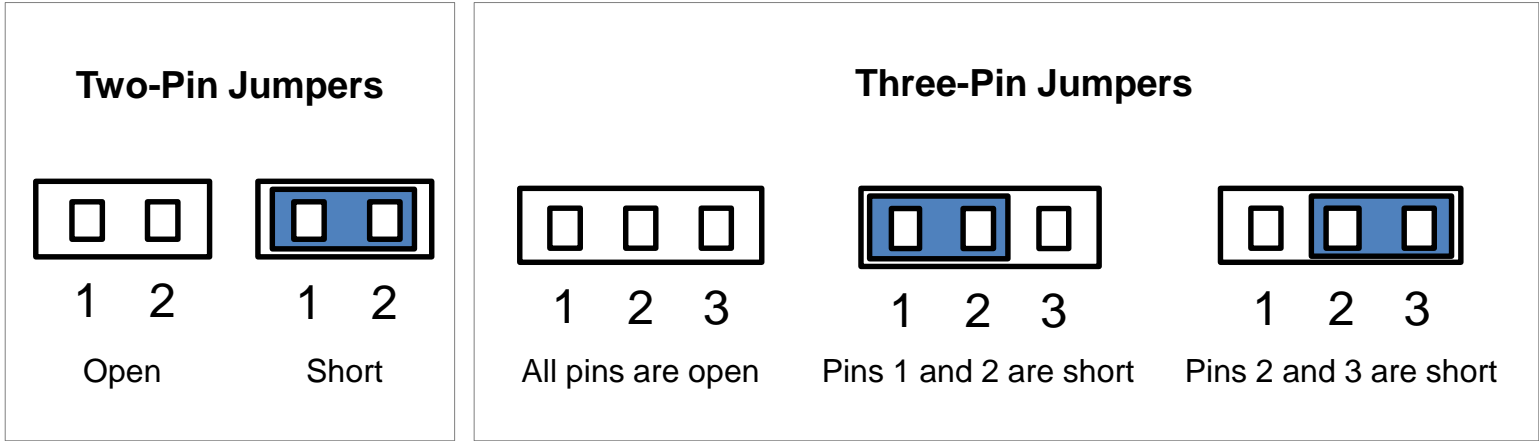


Chapter 2

Jumpers and Connectors

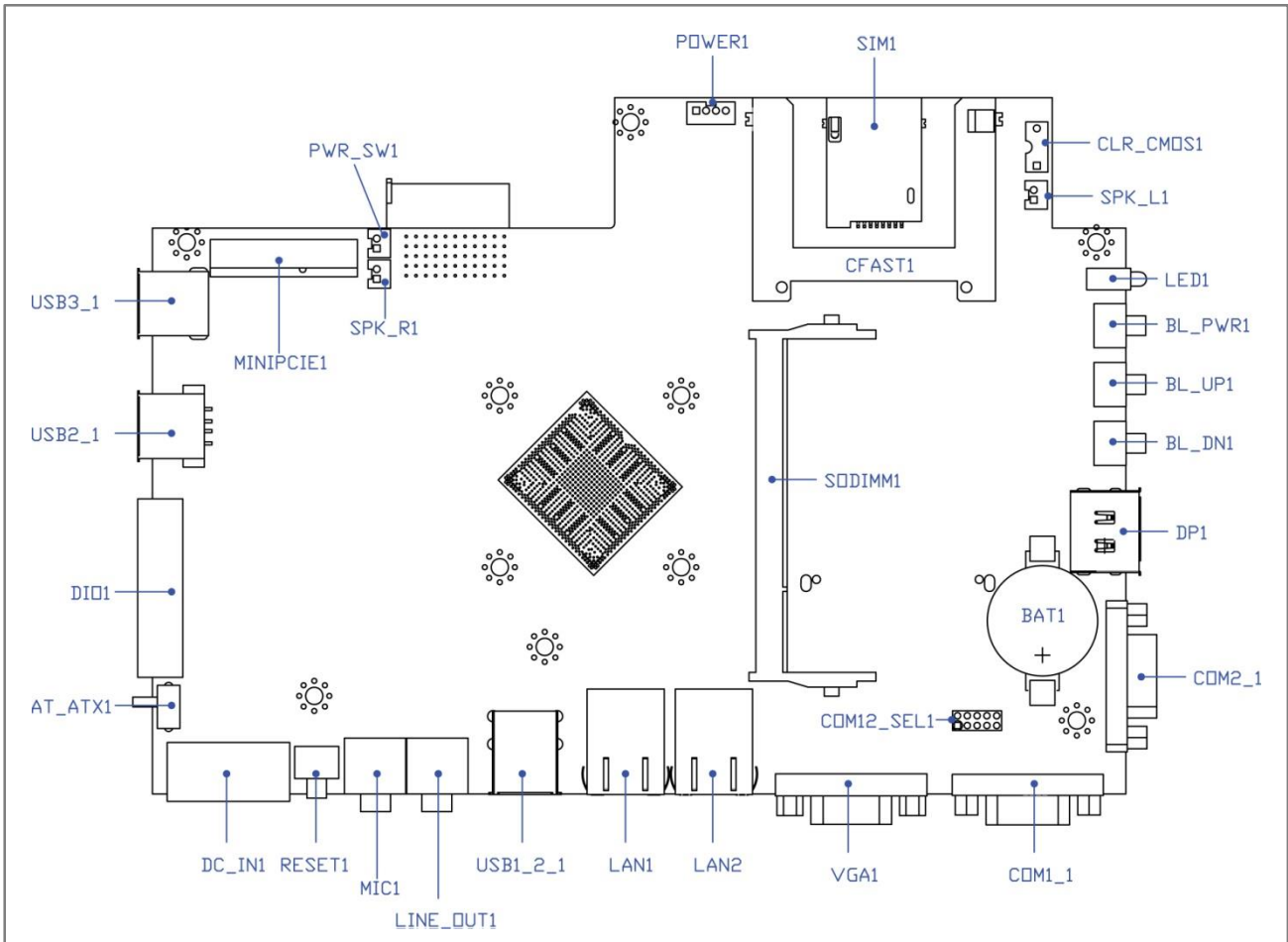
2.1 Jumpers Settings

When setting the jumpers, ensure that the jumper caps are placed on the correct pins. When the jumper cap is placed on both pins, the jumper is **short**. If you remove the jumper cap, or place the jumper cap on just one pin, the jumper is **open**. Refer to below for examples of the 2-pin and 3-pin jumpers when they are short (on) and open (off).

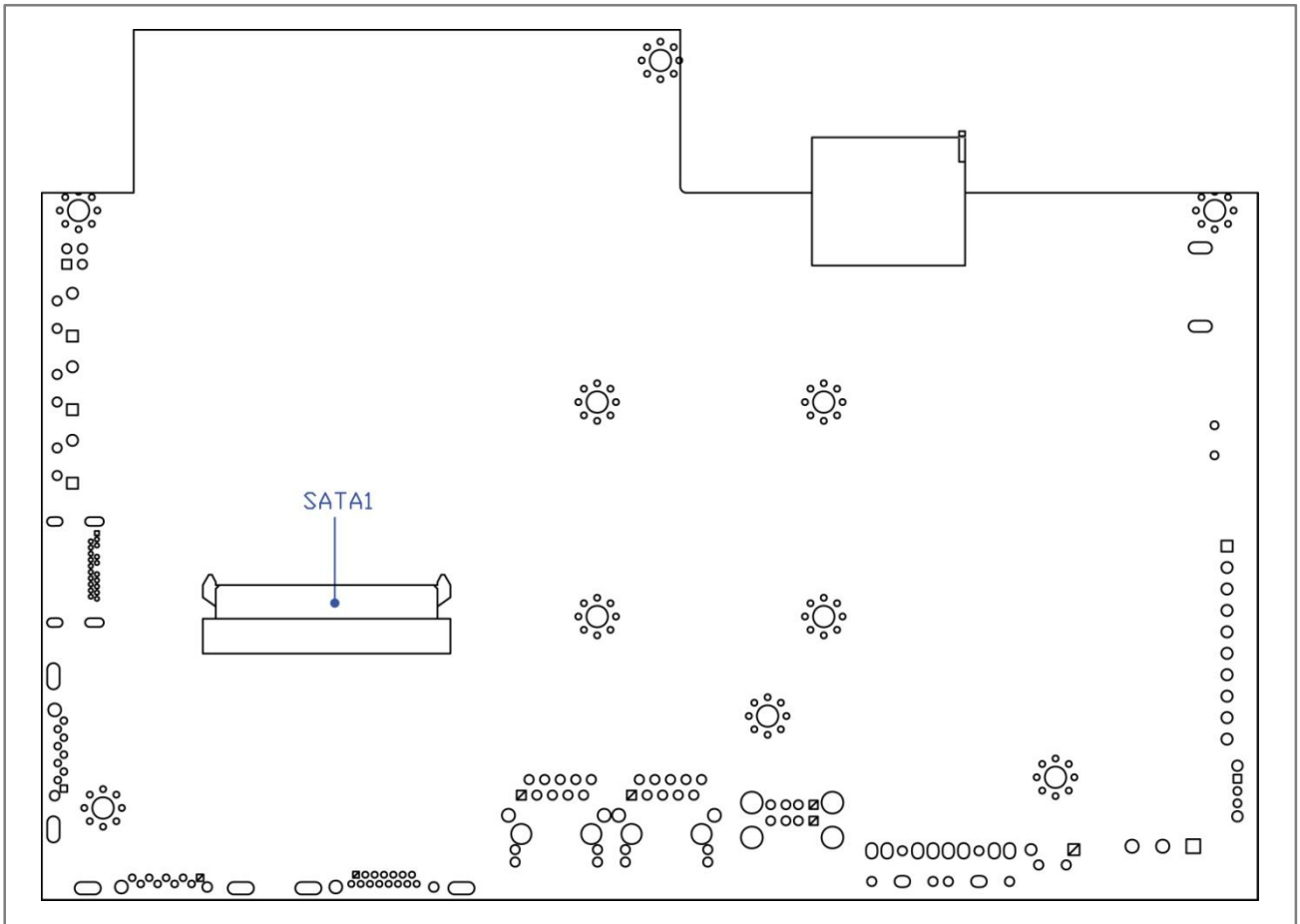


2.2 Locations of the Jumpers and Connectors

2.2.1 Top View



2.2.2 Bottom View



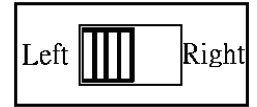
2.3 Connector / Jumper / Switch Definitions

Connector Location	Definition
AT_ATX1	AT / ATX Power Mode Switch
BL_PWR1	Backlight Power on / off switching
BL_UP1	Backlight Increase
BL_DN1	Backlight Decrease
CFAST1	CFast Connector
CLR_CMOS1	Clear BIOS Switch
COM1_1, COM2_1	RS232 / RS422 / RS485 Connector
COM12_SEL1	COM1 / COM2 with Power Select
DC_IN1	3-pin DC 9~48V Power Input Connector
DIO1	4DI / 4DO Connector
DP1	DisplayPort Connector
LAN1, LAN2	LAN Port
LED1	Power / HDD Access LED Status
LINE_OUT1	Line-out Jack
MIC1	Mic-in Jack
MINIPCIE1	Mini PCI-Express Socket
POWER1	Power Connector
PWR_SW1	Power Switch Connector
RESET1	Reset Switch
SATA1	SATA with Power Connector
SIM1	SIM Card Socket
SPK_L1, SPK_R1	Internal Speaker Connector
USB1_2_1, USB2_1	USB 2.0 Port
USB3_1	USB 3.0 Port
VGA1	VGA Connector

2.4 Switch Definitions

AT_ATX1: AT / ATX Power Mode Switch

Switch	Definition
1-2 (Left)	ATX Power Mode (Default)
2-3 (Right)	AT Power Mode



CLR_CMOS1: Clear CMOS Switch

Switch	Definition
Off	Normal Status (Default)
ON	Clear CMOS



BL_PWR1: Backlight Power on / off

Switch	Definition
Push	Backlight Power on / off switching



BL_UP1: Backlight Increase

Switch	Definition
Push	Backlight Increase



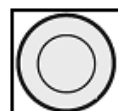
BL_DN1: Backlight Decrease

Switch	Definition
Push	Backlight Decrease



RESET1:

Switch	Definition
Push	Reset System

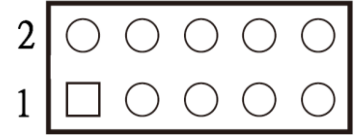


2.5 Jumper Definitions

COM12_SEL1: COM1 / COM2 with Power Select

Connector Type: 2X5 10-pin Header, 2.0mm pitch

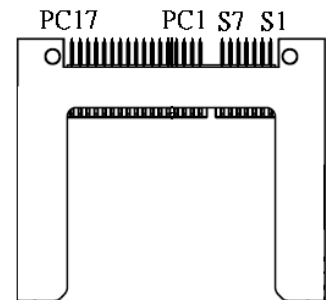
COM1		COM2	
Pin	Definition	Pin	Definition
1-3 On	+5V	2-4 On	+5V
3-5 On	+12V	4-6 On	+12V
7-9 On (Default)	Reserved	8-10 On (Default)	Reserved



2.6 Connector Definitions

CFAST1: CFast Connector

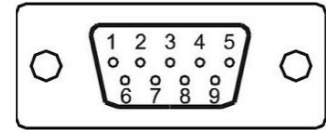
Pin	Definition	Pin	Definition	Pin	Definition
S1	GND	PC1	NC	PC10	NC
S2	SATA_TX2+	PC2	GND	PC11	NC
S3	SATA_TX2-	PC3	NC	PC12	NC
S4	GND	PC4	NC	PC13	+3.3V
S5	SATA_RX2-	PC5	NC	PC14	+3.3V
S6	SATA_RX2+	PC6	NC	PC15	GND
S7	GND	PC7	GND	PC16	GND
		PC8	NC	PC17	NC
		PC9	NC		



COM1_1: RS232 / RS422 / RS485 Connector

Connector Type: 9-pin D-Sub

Pin	RS232 Definition	RS422 / 485 Full Duplex Definition	RS485 Half Duplex Definition
1	DCD1	TX1-	DATA1-
2	RxD1	TX1+	DATA1+
3	TxD1	RX1+	
4	DTR1	RX1-	
5	GND		
6	DSR1		
7	RTS1		
8	CTS1		
9	RI1		

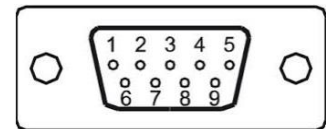
**Power over Serial PIN Definitions**

Pin	RS232	RS422/485	RS485
5	GND	GND	GND
9	0/5/12V	0/5/12V	0/5/12V

COM2_1: RS232 / RS422 / RS485 Connector

Connector Type: 9-pin D-Sub

Pin	RS232 Definition	RS422 / 485 Full Duplex Definition	RS485 Half Duplex Definition
1	DCD2	TX2-	DATA2-
2	RxD2	TX2+	DATA2+
3	TxD2	RX2+	
4	DTR2	RX2-	
5	GND		
6	DSR2		
7	RTS2		
8	CTS2		
9	RI2		

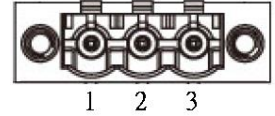
**Power over Serial PIN Definitions**

Pin	RS232	RS422/485	RS485
5	GND	GND	GND
9	0/5/12V	0/5/12V	0/5/12V

DC_IN1: DC Power Input Connector (+9~48V)

Connector Type: Terminal Block 1X3 3-pin, 5.0mm pitch

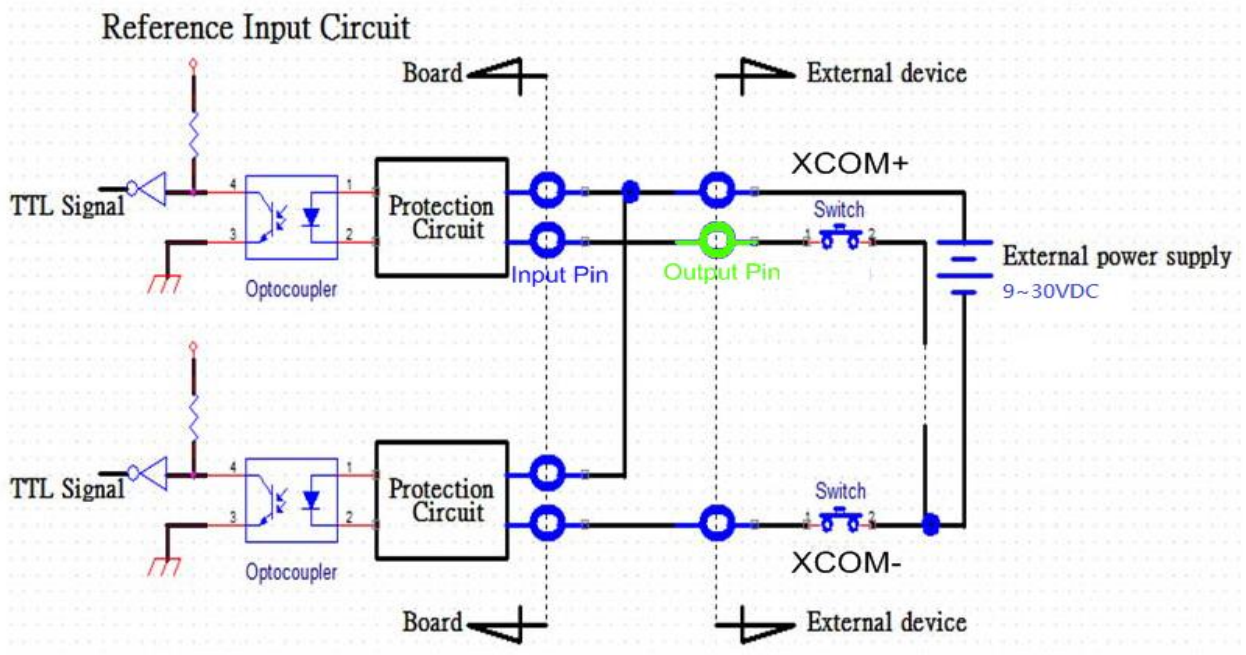
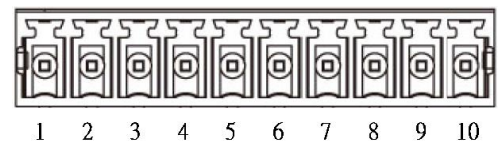
Pin	Definition
1	+9~48VIN
2	Ignition(IGN)
3	GND

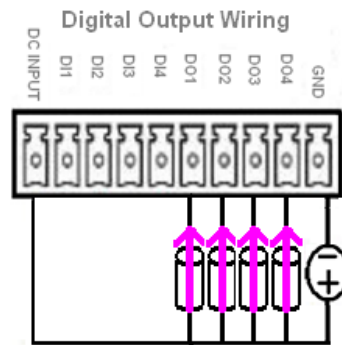
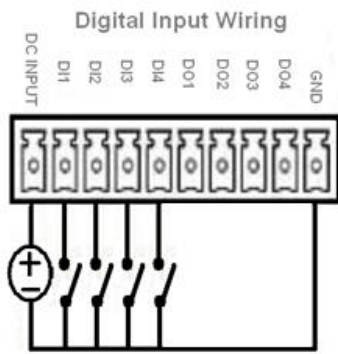
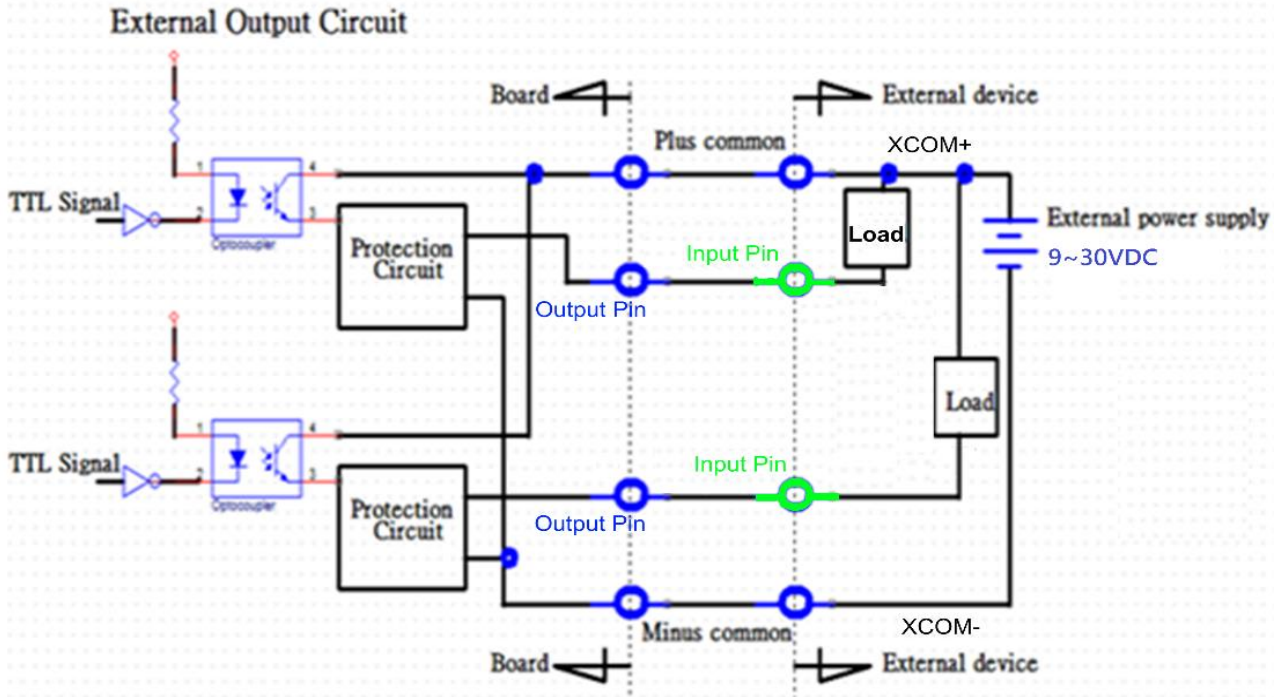


DIO1: Digital Input / Output Connector

Connector Type: Terminal Block 1X10 10-pin, 3.5mm pitch

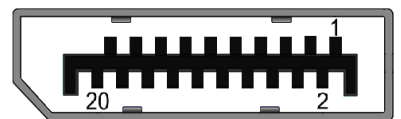
Pin	Definition	Pin	Definition
1	DC INPUT	6	DO1
2	DI1	7	DO2
3	DI2	8	DO3
4	DI3	9	DO4
5	DI4	10	GND





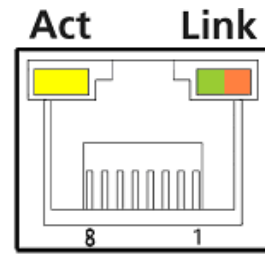
DP1: DisplayPort Connector

Pin	Definition	Pin	Definition
1	DP_LANE0_P	11	GND
2	GND	12	DP_LANE3_N
3	DP_LANE0_N	13	GND
4	DP_LANE1_P	14	GND
5	GND	15	DP_AUX_P
6	DP_LANE1_N	16	GND
7	DP_LANE2_P	17	DP_AUX_N
8	GND	18	DP_HPD
9	DP_LANE2_N	19	GND
10	DP_LANE3_P	20	DP_PWR



LAN1: RJ45 with LEDs Port

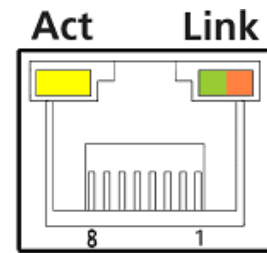
Pin	Definition	Pin	Definition
1	LAN1_MDI0P	5	LAN1_MDI2N
2	LAN1_MDI0N	6	LAN1_MDI1N
3	LAN1_MDI1P	7	LAN1_MDI3P
4	LAN1_MDI2P	8	LAN1_MDI3N



Act LED Status	Definition	Link LED Status	Definition
Blinking Yellow	Data Activity	Steady Green	1Gbps Network Link
Off	No Activity	Steady Orange	100Mbps Network Link
		Off	10Mbps Network Link

LAN2: RJ45 with LEDs Port

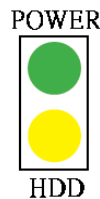
Pin	Definition	Pin	Definition
1	LAN2_MDI0P	5	LAN2_MDI2N
2	LAN2_MDI0N	6	LAN2_MDI1N
3	LAN2_MDI1P	7	LAN2_MDI3P
4	LAN2_MDI2P	8	LAN2_MDI3N



Act LED Status	Definition	Link LED Status	Definition
Blinking Yellow	Data Activity	Steady Green	1Gbps Network Link
Off	No Activity	Steady Orange	100Mbps Network Link
		Off	10Mbps Network Link

LED1: Power / HDD Access LED Status

Pin	Definition
1	HDD LED+
2	HDD LED-
3	POWER LED+
4	POWER LED-



LED Status	LED Color
HDD	Yellow
POWER	Green

LINE_OUT1: Line-out Jack (Green)

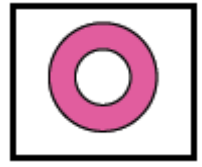
Connector Type: 5-pin Phone Jack

Pin	Definition
1	GND
2	OUT_R
3	NC
4	GND
5	OUT_L

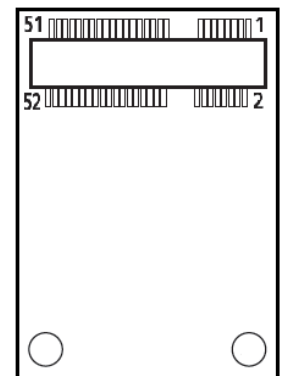
**MIC1: Microphone Jack (Pink)**

Connector Type: 5-pin Phone Jack

Pin	Definition
1	GND
2	MIC_R
3	NC
4	GND
5	MIC_L

**MINIPCIE1: Mini PCI-Express Socket**

Pin	Definition	Pin	Definition	Pin	Definition
1	WAKE#	19	NC	37	GND
2	+3.3V	20	+3.3V	38	USB2_3P
3	NC	21	GND	39	+3.3V
4	GND	22	MINIPCIE_RST#	40	GND
5	NC	23	MINIPCIE_RXN	41	+3.3V
6	+1.5V	24	+3.3V	42	NC
7	CLKREQ#	25	MINIPCIE_RXP	43	GND
8	UIM_PWR	26	GND	44	NC
9	GND	27	GND	45	NC
10	UIM_DATA	28	+1.5V	46	NC
11	MINIPCIE_CLKN	29	GND	47	NC
12	UIM_CLK	30	SMB_CLK	48	+1.5V
13	MINIPCIE_CLKP	31	MINIPCIE_TXN	49	NC
14	UIM_RESET	32	SMB_DATA	50	GND
15	GND	33	MINIPCIE_TXP	51	NC
16	UIM_VPP	34	GND	52	+3.3V
17	NC	35	GND		
18	GND	36	USB2_3N		



POWER1: Power Connector

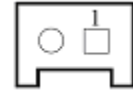
Connector Type: 1X4-pin Wafer, 2.0mm pitch

Pin	Definition
1	+5V
2	GND
3	GND
4	+12V



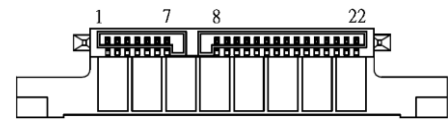
PWR_SW1 : Power Switch Connector

Pin	Definition
1	Power switch
2	GND



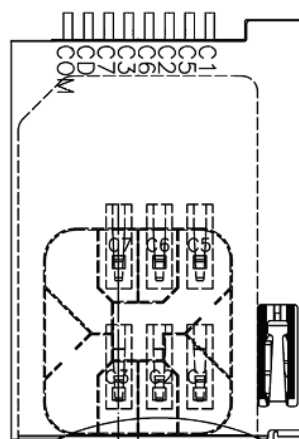
SATA1: SATA with Power Connector

Pin	Definition	Pin	Definition
1	GND	12	GND
2	SATA_TX1+	13	GND
3	SATA_TX1-	14	+5V
4	GND	15	+5V
5	SATA_RX1-	16	+5V
6	SATA_RX1+	17	GND
7	GND	18	GND
8	+3.3V	19	GND
9	+3.3V	20	+12V
10	+3.3V	21	+12V
11	GND	22	+12V



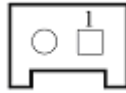
SIM1 : SIM Card Socket

Pin	Definition
C1	UIM_PWR
C2	UIM_RESET
C3	UIM_CLK
C5	GND
C6	UIM_VPP
C7	UIM_DATA
CD	NC
COM	GND



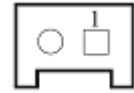
SPK_L1: Left Internal Speaker Connector

Pin	Definition
1	OUT_L
2	GND



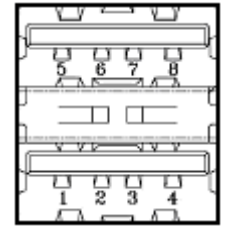
SPK_R1: Right Internal Speaker Connector

Pin	Definition
1	OUT_R
2	GND



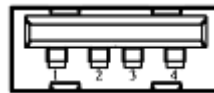
USB1_2_1 : USB2.0 Connector, Type A

Pin	Definition	Pin	Definition
1	+5V	5	+5V
2	USB_DATA0-	6	USB_DATA_1-
3	USB_DATA0+	7	USB_DATA_1+
4	GND	8	GND



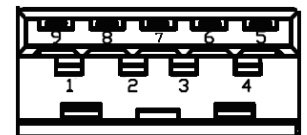
USB2_1: USB2.0 Connector, Type A

Pin	Definition
1	+5V
2	USB2_DATA1-
3	USB2_DATA1+
4	GND



USB3_1: USB 3.0 Connector, Type A

Pin	Definition	Pin	Definition
1	+5V	6	USB3_RX0+
2	USB2_D0-	7	GND
3	USB2_D0+	8	USB3_TX0-
4	GND	9	USB3_TX0+
5	USB3_RX0-		





Chapter 3

System Setup

3.1 Removing the Top Cover



WARNING

In order to prevent electric shock or system damage, before removing the chassis cover, must turn off power and disconnect the unit from power source.

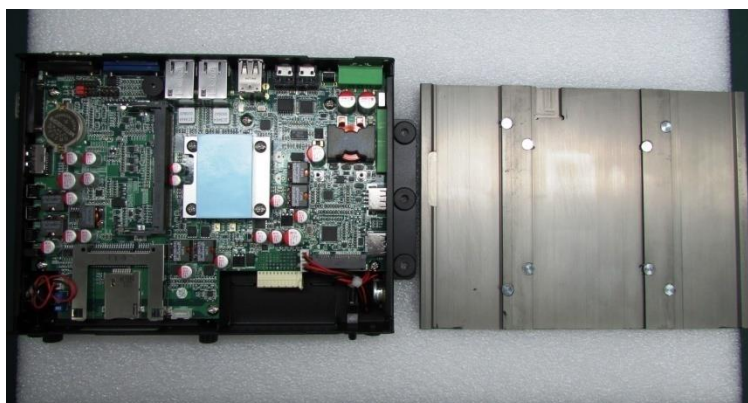
1. Loosen the 8 screws of front and rear panel, then place them aside .



2. Remove the cover from the chassis.

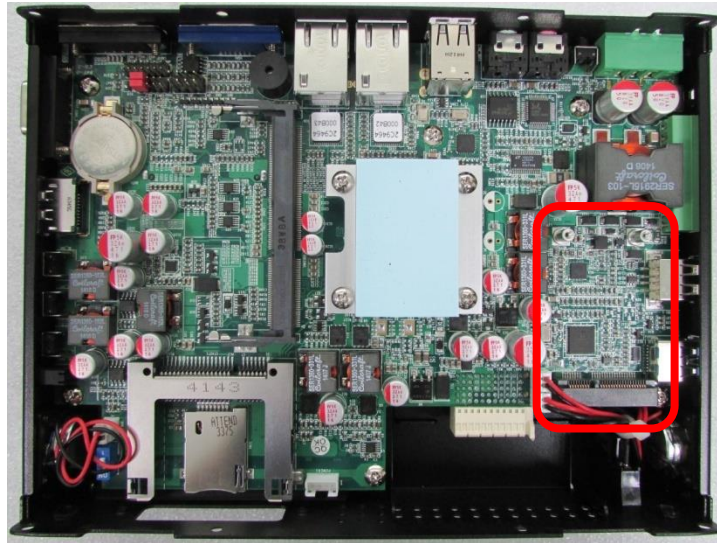


3. Place the top cover gently.



3.2 Installing a Half Size Mini PCIe Card

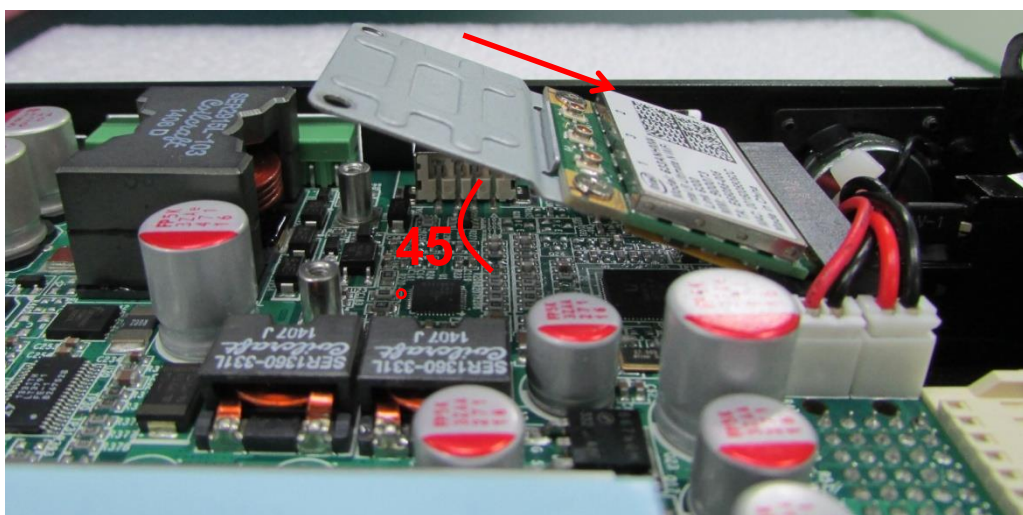
1. Locate the Mini PCIe socket.



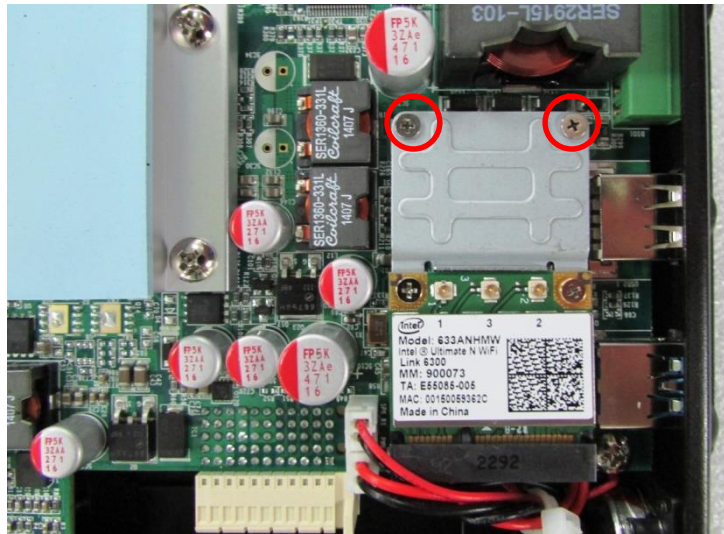
2. Use two screws provided on bracket to fasten the module and bracket together.



3. Tilt the Mini PCIe module at 45 degree angle and insert it to the slot until the gold-pated connector of module contacted firmly with the slot.

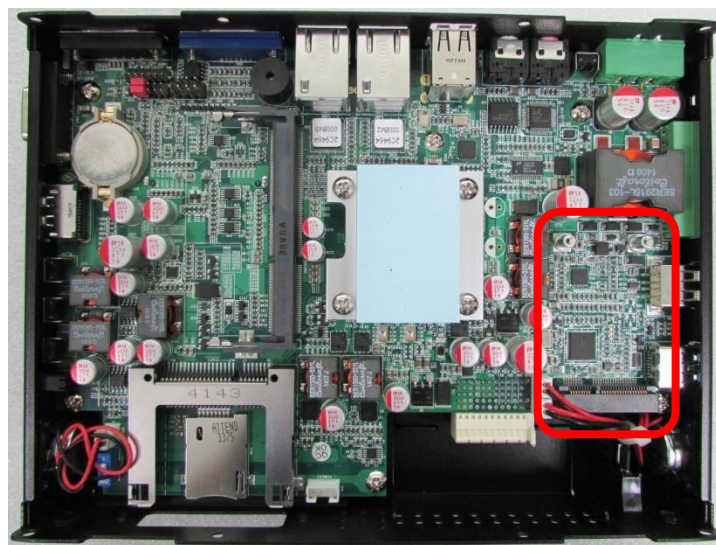


4. Press the module down and use the two screws to fix the module.

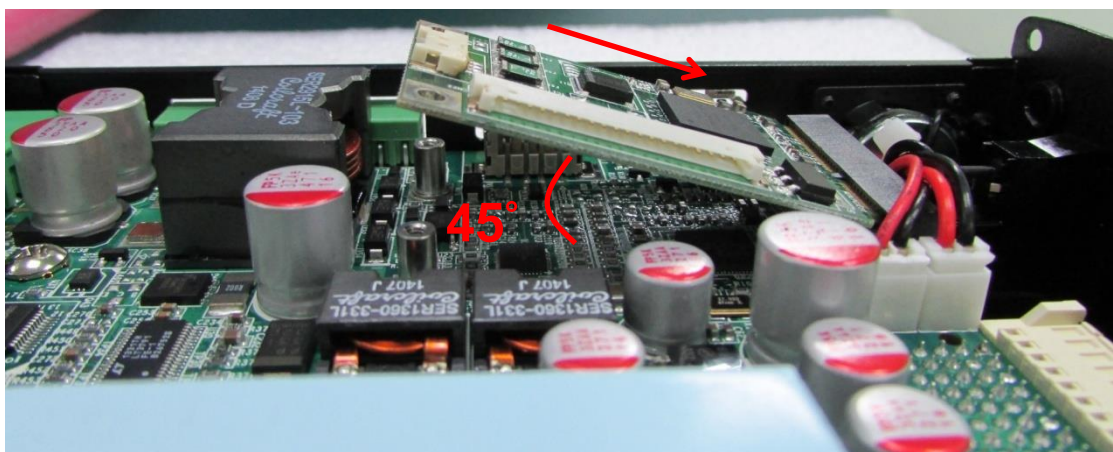


3.3 Installing a Full Size Mini PCIe Card

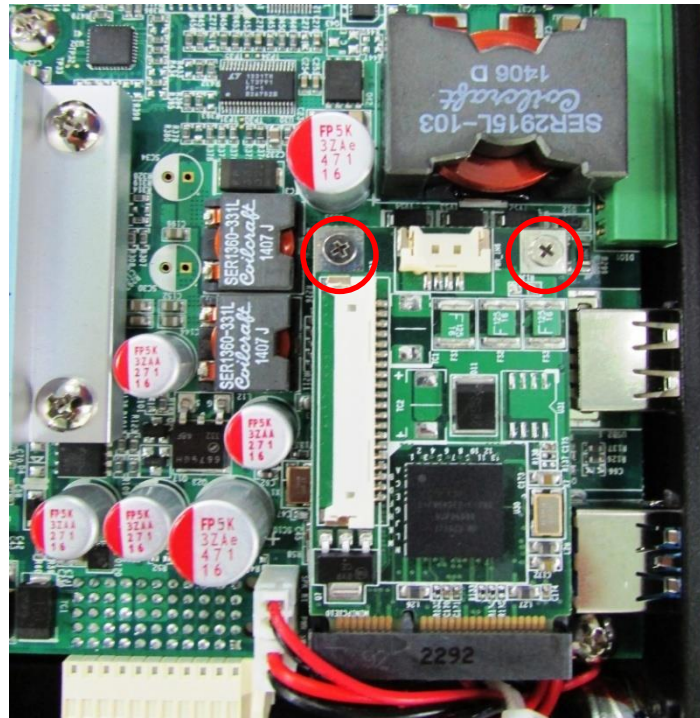
1. Locate the Mini PCIe socket.



2. Tilt the Mini PCIe module at 45 degree angle and insert it to the slot until the gold-pated connector of module contacted firmly with the slot.



3. Press the module down and use the two screws to fix the module.

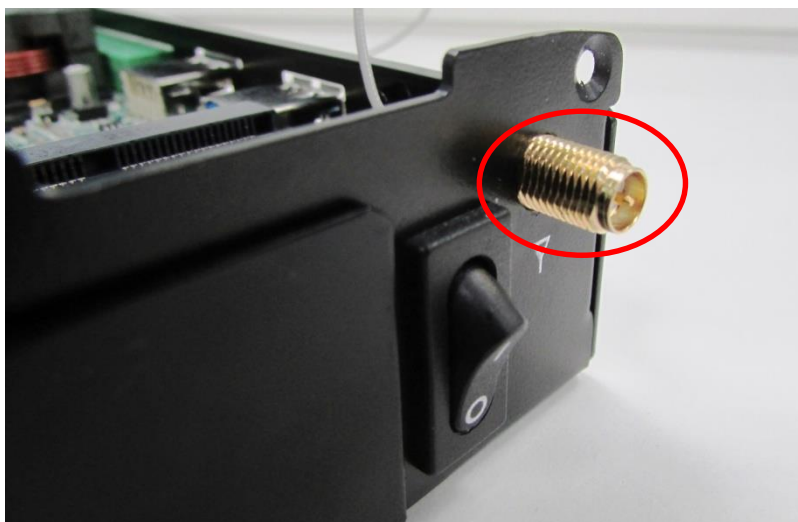


3.4 Installing Antennas

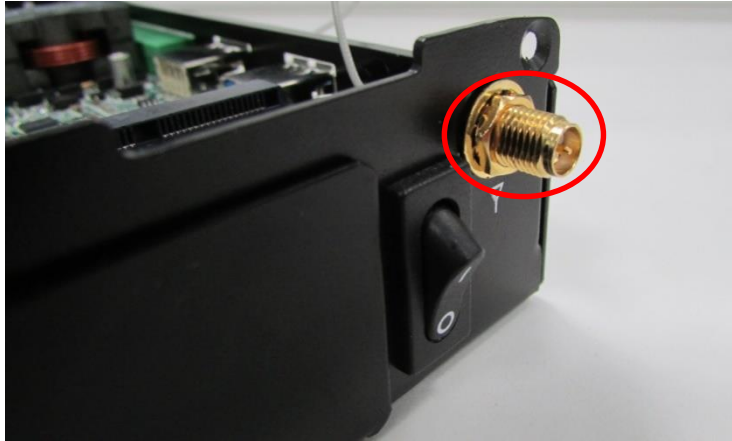
1. Remove the antenna hole covers at front panel.



2. Have antenna jack penetrate through the hole.



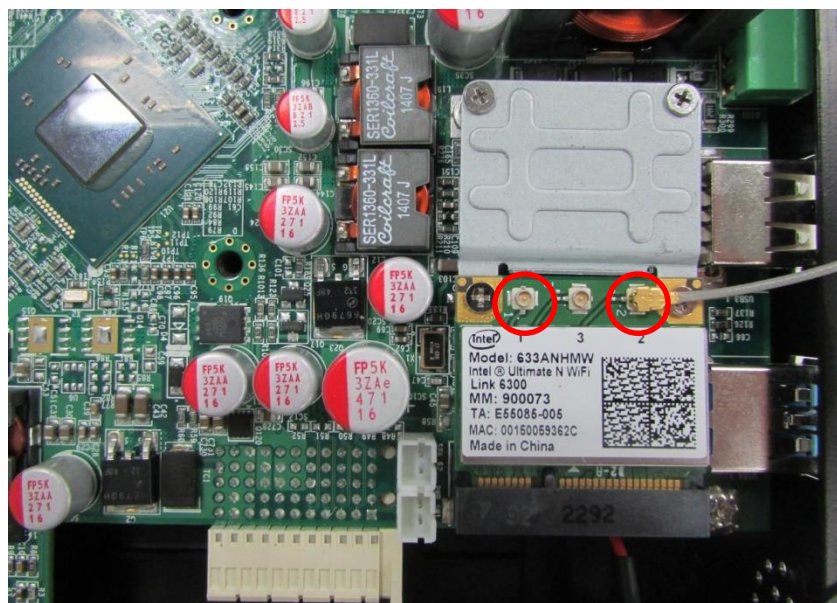
3. Put on the washer and fasten the nut with antenna jack.



4. Assemble the antenna and antenna jack together.

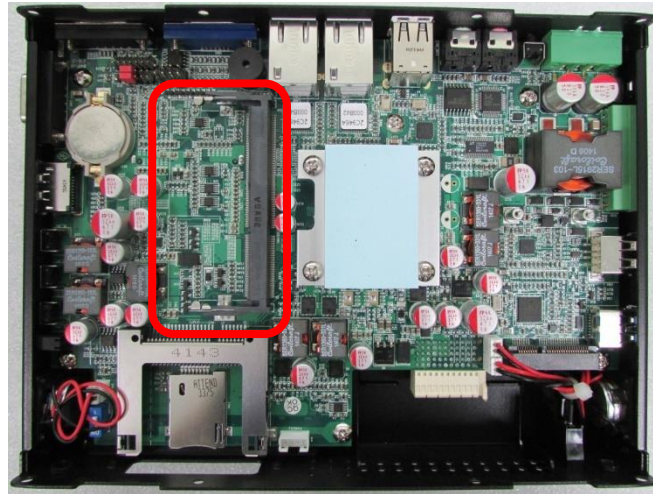


5. Attach the RF connector at the other end of the cable onto the module.

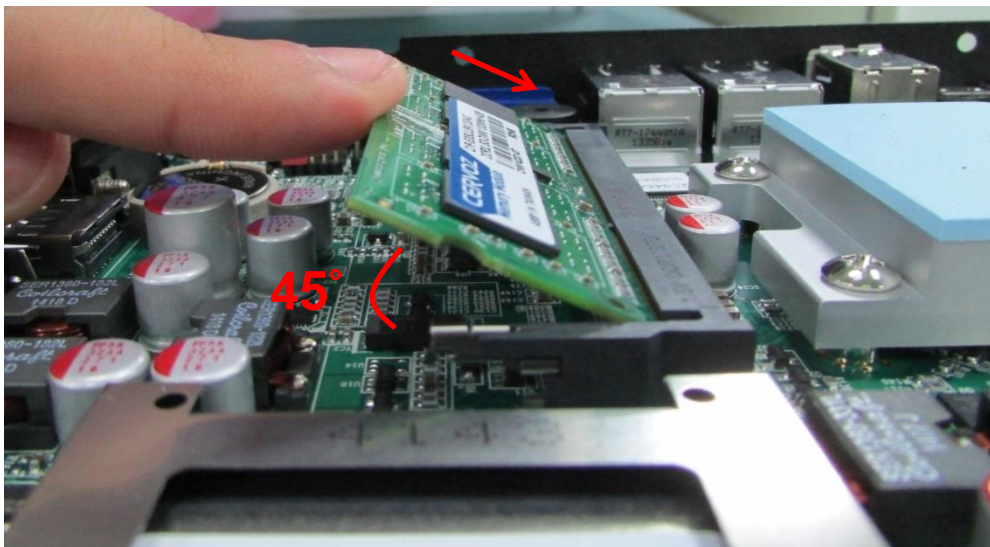


3.5 Installing a SO-DIMM

1. Locate SO-DIMM socket.



2. Tilt the SODIMM module at a 45 degree angle and insert it to SODIMM socket until the gold-pated connector of module contacted firmly with the socket.



2. Tilt the SODIMM module at a 45 degree angle and insert it to SODIMM socket until the gold-pated connector of module contacted firmly with the socket.



3.6 Installing the Top Cover

1. Put on the cover.



2. Fasten the 8 screws to fix the cover.



3.7 Installing a SATA Hard Drive

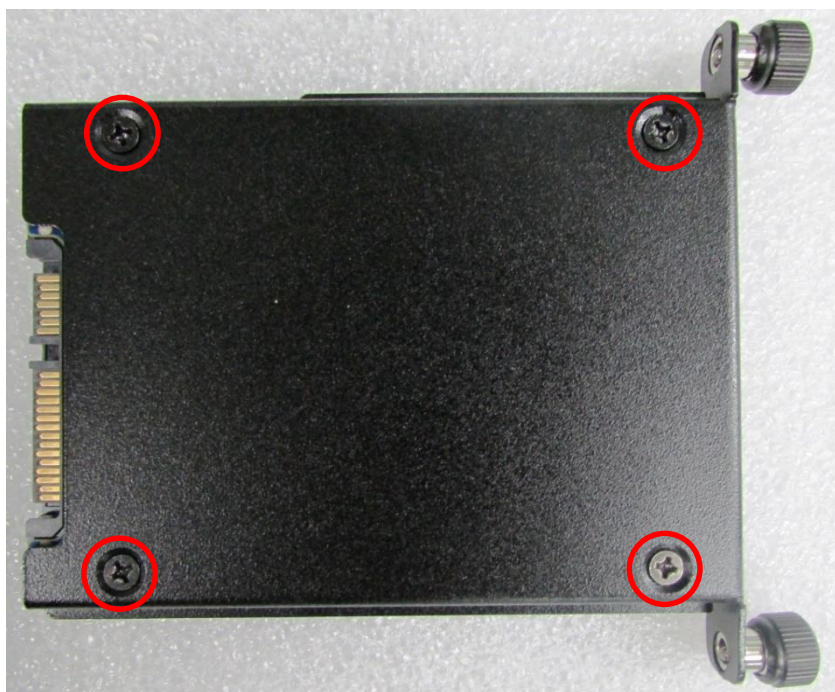
1. Locate the removable HDD bay and loosen the 2 screws.



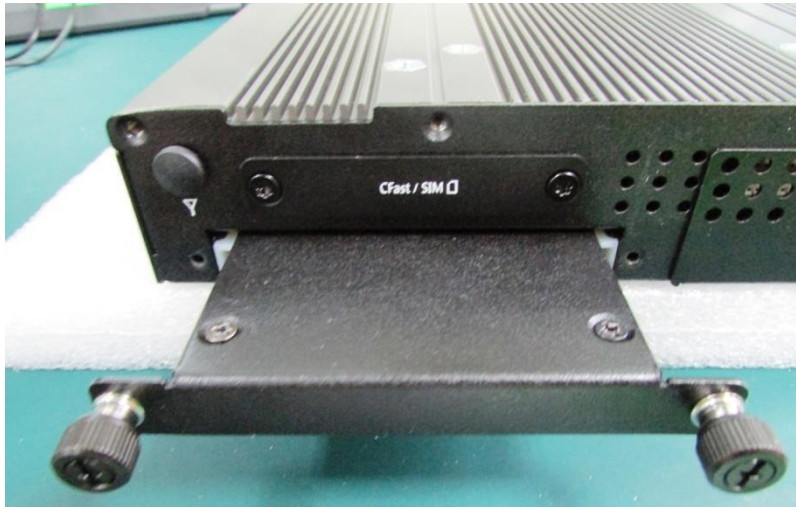
2. Pull out the HDD bracket.



3. Make the PCB side of the HDD face up, place the HDD bracket on it. Ensure the direction of bracket is correct and use 4 provided screws to assemble HDD and HDD bracket together.



4. Align the HDD bracket with the entrance of HDD bay. And insert the HDD bracket until the connector of HDD contact the SATA connector firmly.



3.8 Installing a SIM Card

1. SIM card slot is at the front panel of the system.



2. Remove the mounting cover by unscrewing the two screws.



3. Insert the SIM card.



3.9 Installing a CFast Card

1. Locate the CFast card slot.



2. Remove the mounting cover by unscrewing the two screws.



3. Insert the CFast card.

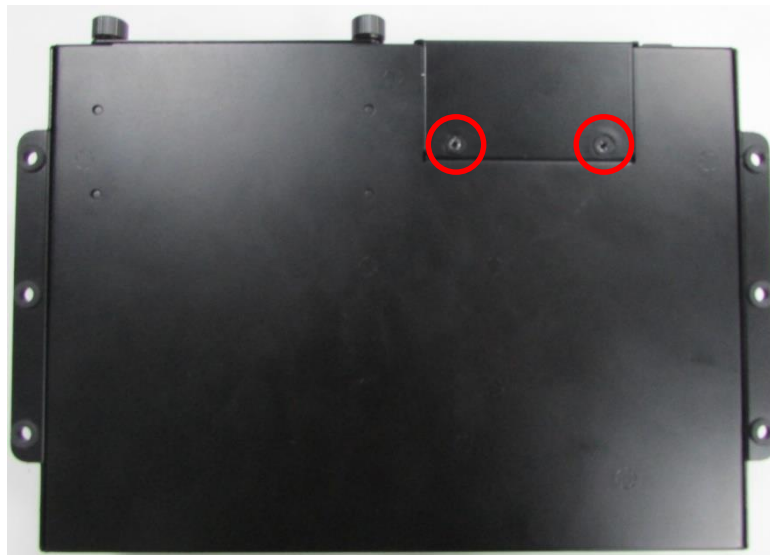


3.10 Connecting with CV Display Module

1. Locate the module connector slot.



2. Turn over the unit to have the bottom side face up, loosen the 2 screws of the module connector bracket.



The photos shows the male connector (on display module) and female connector (on PC module)



3. Connect the modules.



4. Fasten the 6 screws onto the display module through the holes of the PC module.





Chapter 4

BIOS Setup

4.1 BIOS Introduction

The BIOS (Basic Input/Output System) is a program located on a Flash Memory on the motherboard. When you start the computer, the BIOS program will gain control. The BIOS first operates an auto-diagnostic test called POST (power on self test) for all the necessary hardware, it detects the entire hardware device and configures the parameters of the hardware synchronization.

BIOS Setup

Power on the computer and by pressing immediately allows you to enter Setup. If the message disappears before your respond and you still wish to enter Setup, restart the system to try again by turning it OFF then ON or pressing <Ctrl>, <Alt> and <Delete> keys.

Control Keys	
<←> <→>	Move to select screen
<↑> <↓>	Move to select item
<Esc>	Quit the BIOS Setup
<Enter>	Select item
<Page Up/+>	Increases the numeric value or makes changes
<Page Down/->	Decreases the numeric value or makes changes
<Tab>	Select setup fields
<F1>	General help
<F2>	Previous value
<F3>	Load Optimized defaults
<F7>	Select boot device
<F10>	Save configuration and Exit

Main Menu

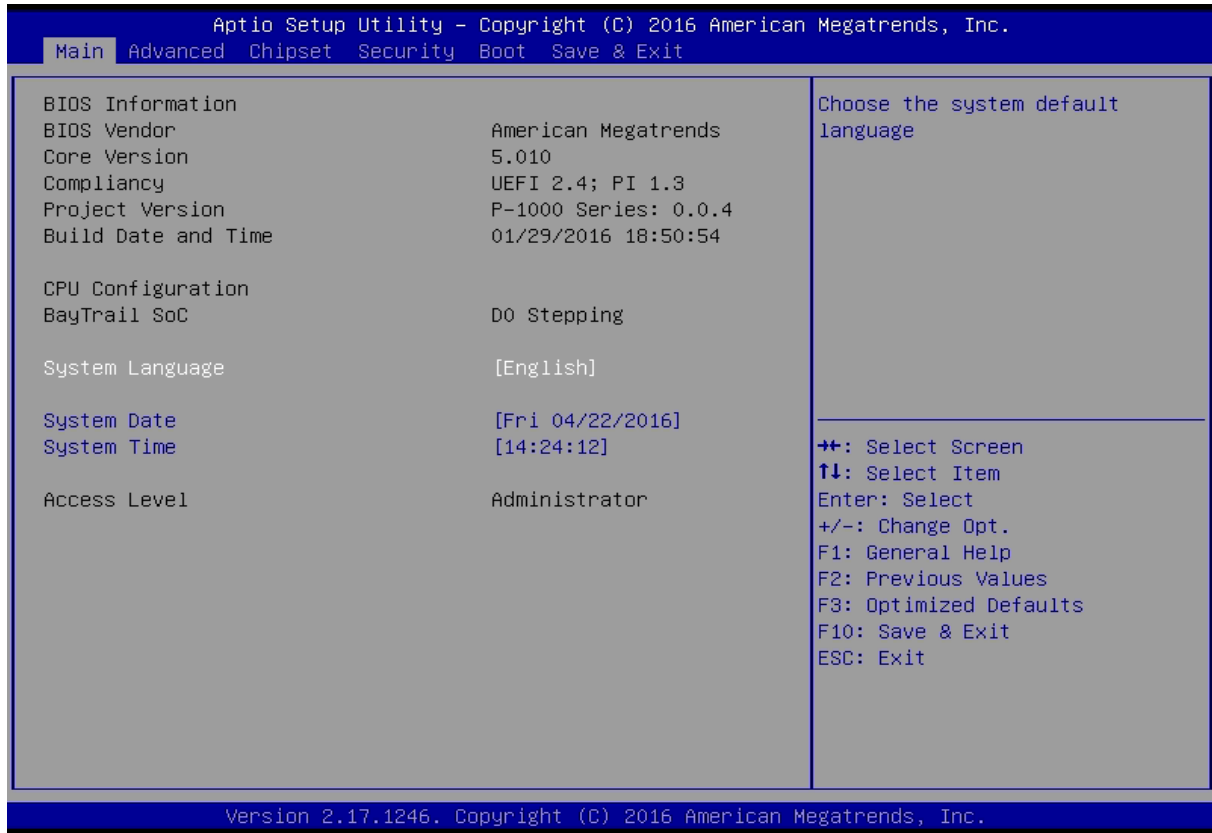
The main menu lists the setup functions you can make changes to. You can use the arrow keys (↑↓) to select the item. The on-line description of the highlighted setup function is displayed at the bottom of the screen.

Sub-Menu

If you find a right pointer symbol appears to the left of certain fields that means a sub-menu can be launched from this field. A sub-menu contains additional options for a field parameter. You can use arrow keys (↑↓) to highlight the field and press <Enter> to call up the sub-menu. Then you can use the control keys to enter values and move from field to field within a sub-menu. If you want to return to the main menu, just press the <Esc >.

4.2 Main Setup

Press to enter BIOS CMOS Setup Utility, the Main Menu (as shown below) will appear on the screen. Use arrow keys to move among the items and press <Enter> to accept or enter a sub-menu.



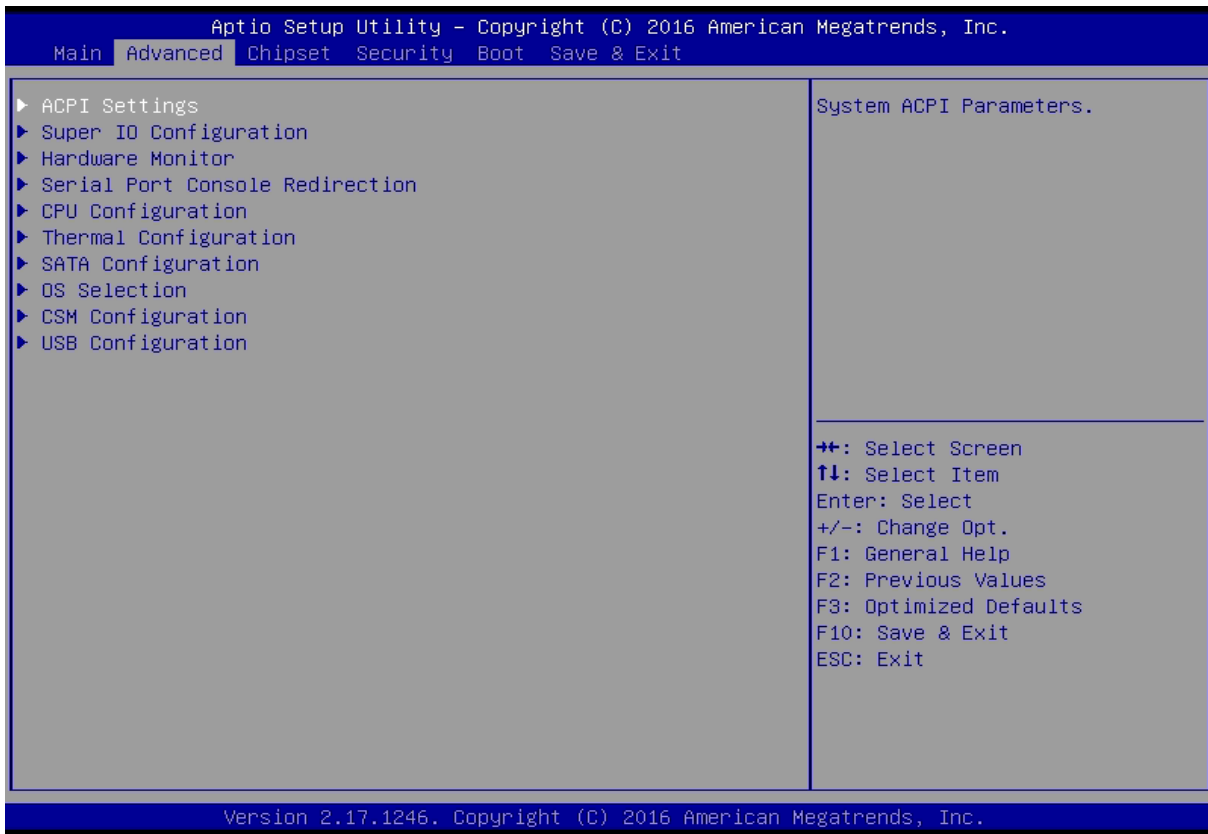
4.2.1 System Date

Set the date. Please use <Tab> to switch between date elements.

4.2.2 System Time

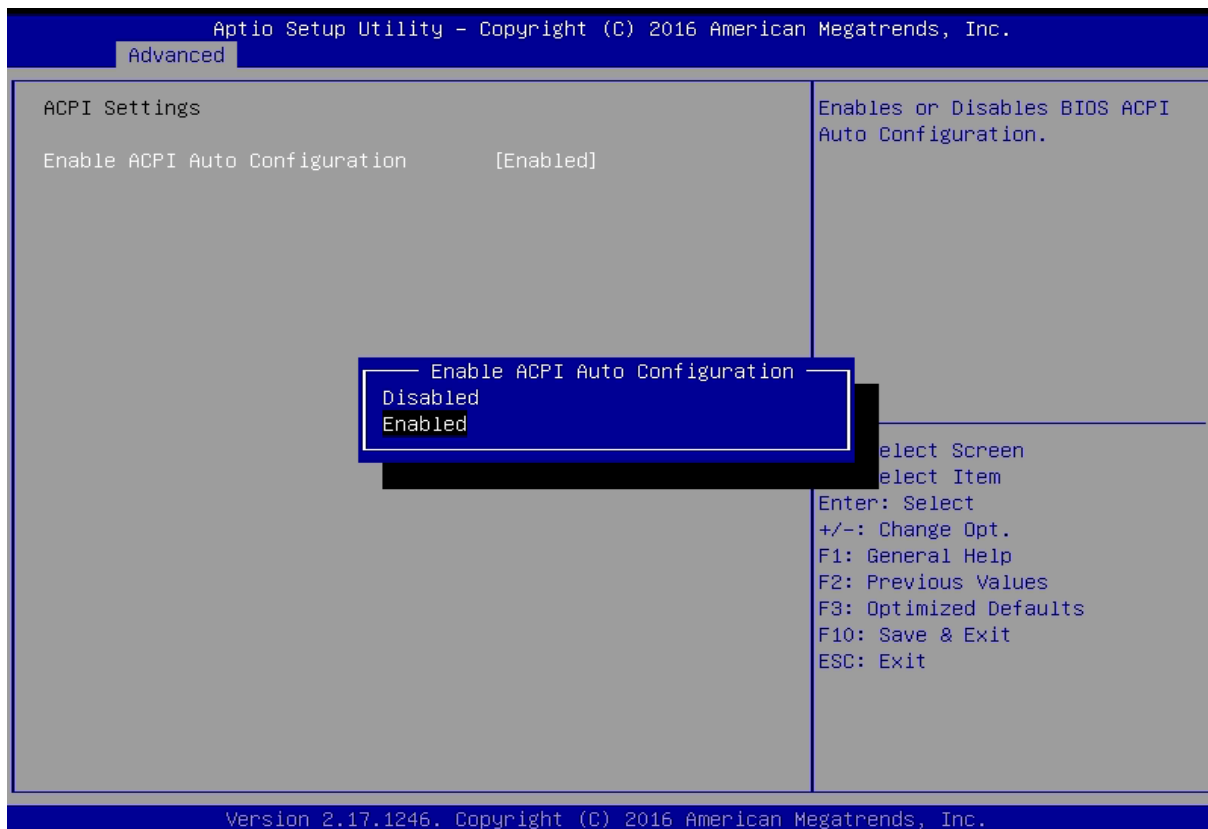
Set the time. Please use <Tab> to switch between time elements.

4.3 Advanced Setup



4.3.1 ACPI Settings

Enable or disable ACPI Auto Configuration.

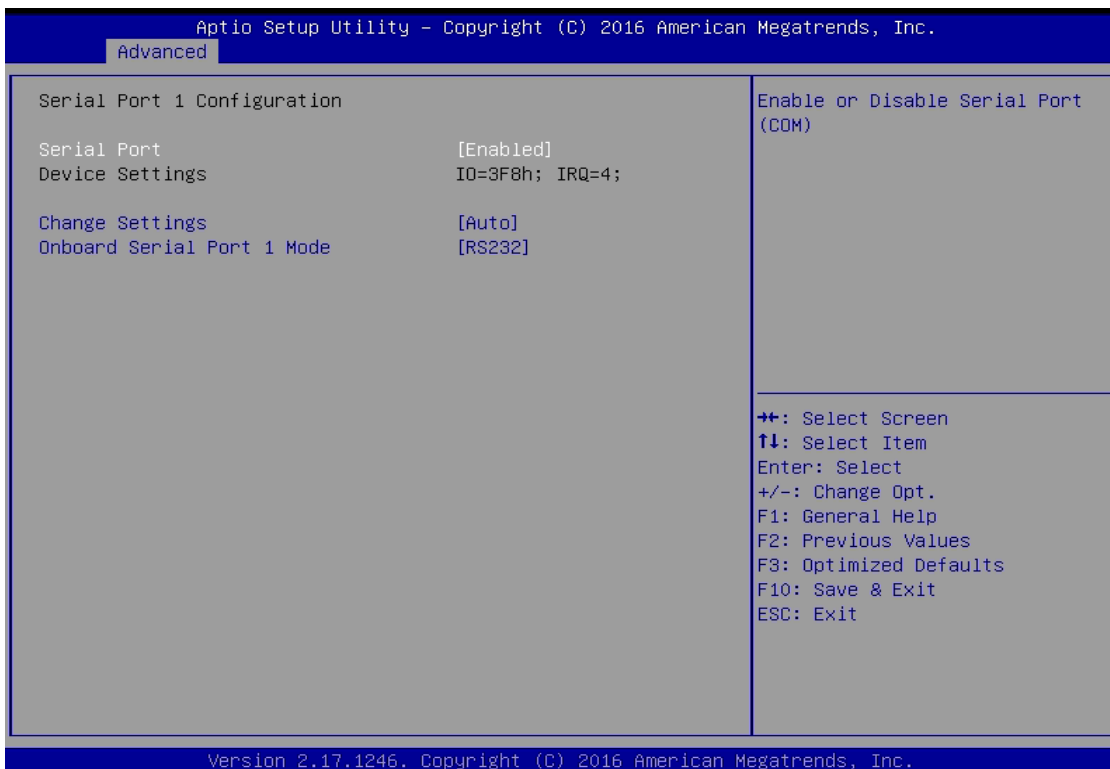


4.3.2 Super IO Configuration

You can use this screen to select options for the Super IO Configuration, and change the value of the selected option.



Serial Port 1 Configuration



Serial Port

This item will allow users to enable or disable serial port.

Onboard Serial Port 1 Mode

Change the Serial interface. Select <RS232>, <RS422> or <RS485> interface.

Change Settings

This setting is used to change the address & IRQ settings of the specified serial port.

■ Serial Port 2 Configuration

- Please see Serial Port 1 Configuration

■ Serial Port 3 Configuration

- Please see Serial Port 1 Configuration
- Serial port 3 configuration does not have Onboard Serial Port Mode, described in the previous two configurations.

■ Watch Dog Function

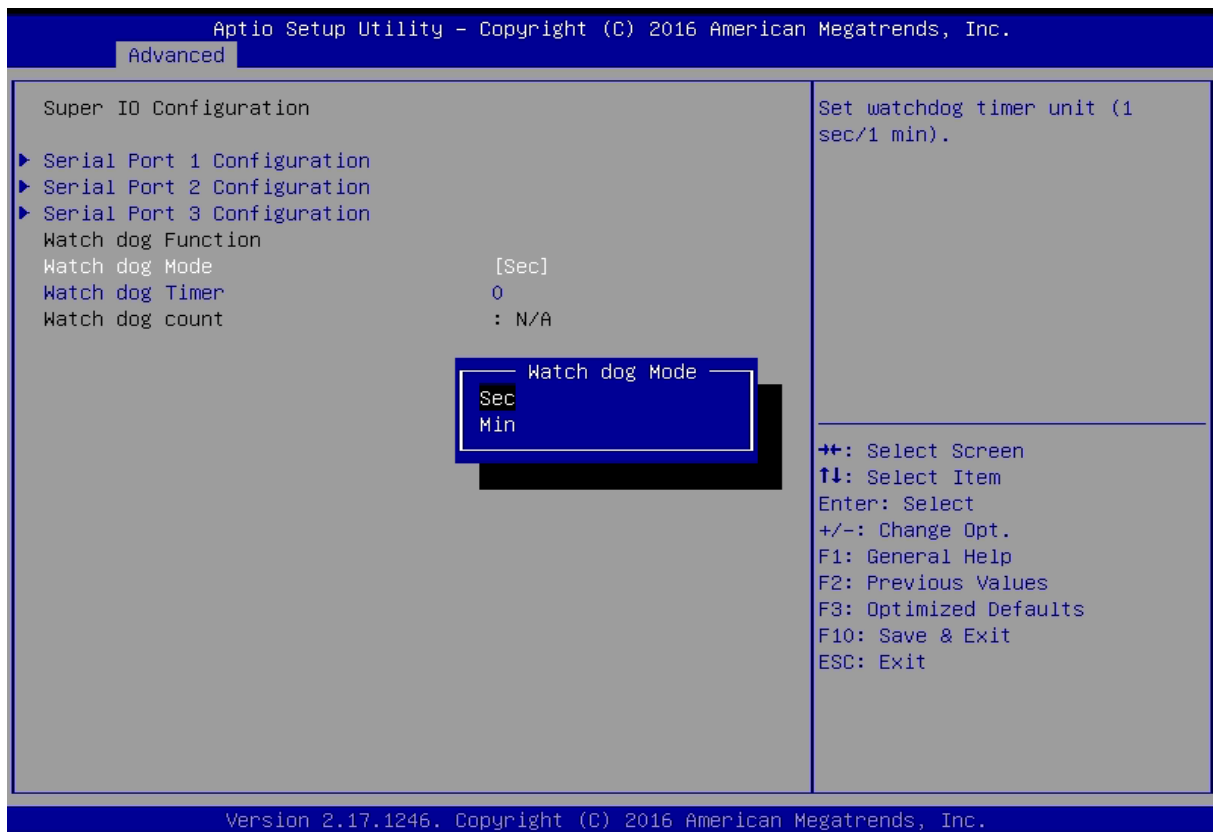
You can setup the system watch-dog timer, a hardware timer that generates a reset when the software that it monitors does not respond as expected each time the watch dog polls it.

Watch Dog Mode

Change the Watch dog mode. Select <Sec> or <Min> mode.

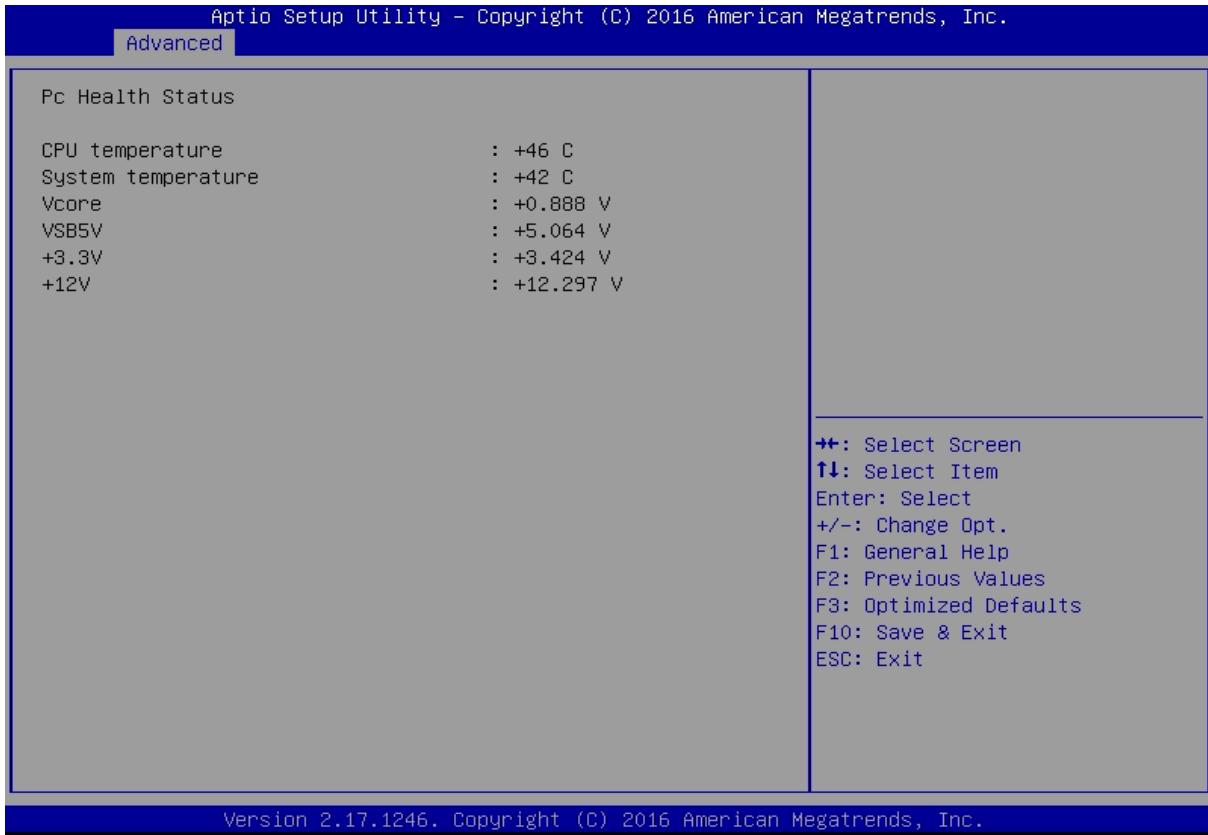
Watch Dog Timer

User can set a value in the range of 0 to 255.

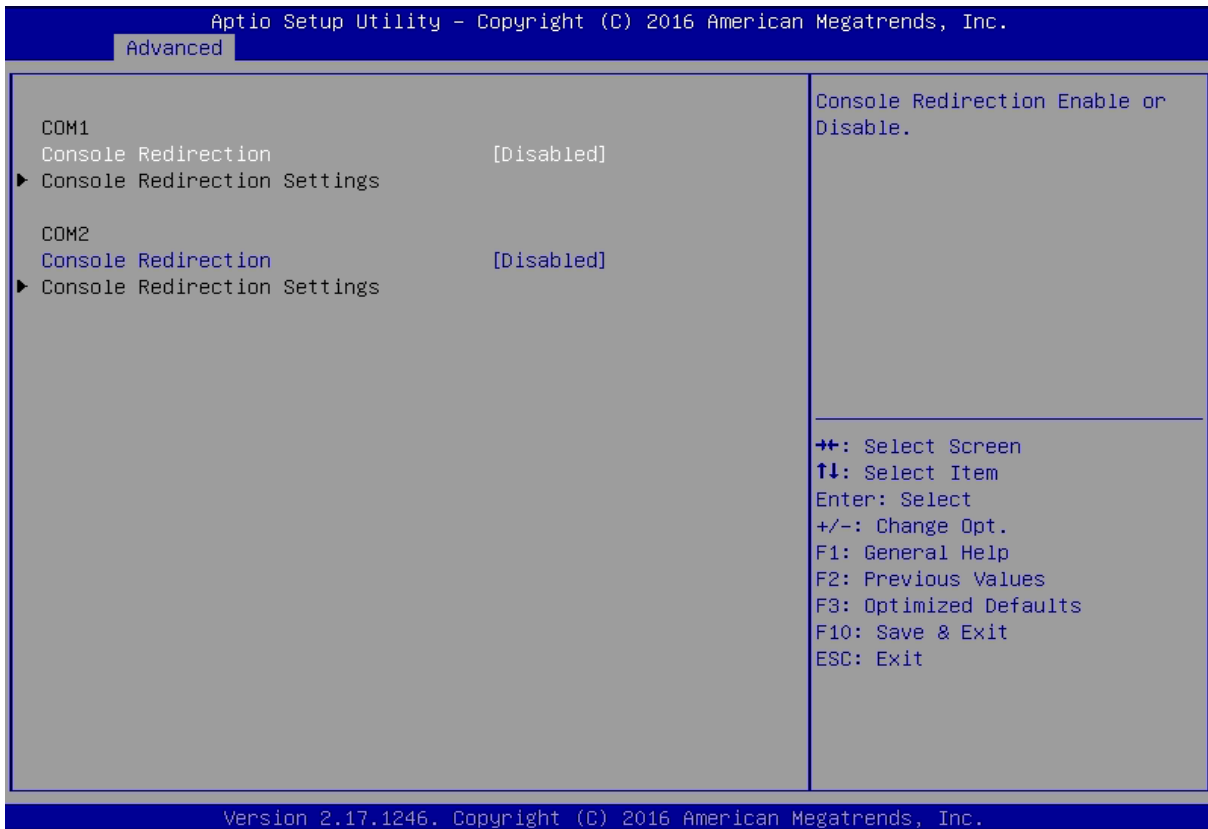


4.3.3 Hardware Monitor

These items display the current status of all monitored hardware devices/components such as voltages and temperatures.



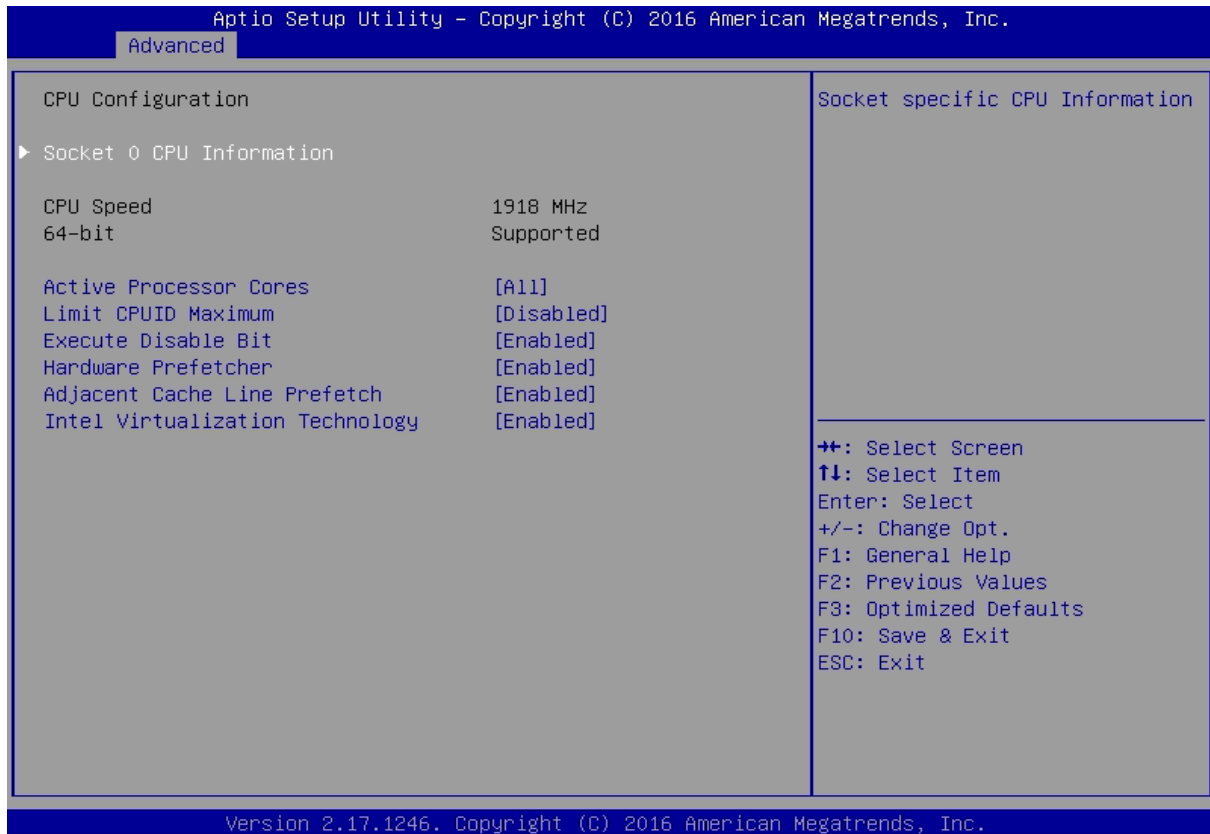
4.3.4 Serial Port Console Redirection



■ Console Redirection

This item allows users to enable or disable console redirection.

4.3.5 CPU Configuration



■ Socket 0 CPU Information

This section provides information on your CPU, frequency, and cache memory.

■ Active Processor Cores

Change the active processor cores. Select <All> or <1> mode.

■ Limit CPUID Maximum

This option is only useful if you are using an operating system that does not recognize all of the features of your processor.

Allows user to determine whether to limit CPUID maximum value. Set this item to Disabled: For Windows XP operating system.

Enabled: For legacy operating system such as Windows NT4.0. (Default: Disabled)

■ Execute Disable Bit

Enables or disables Intel Execute Disable Bit function.

■ Hardware Prefetcher

Enables or disables L2 Cache Hardware Prefetcher.

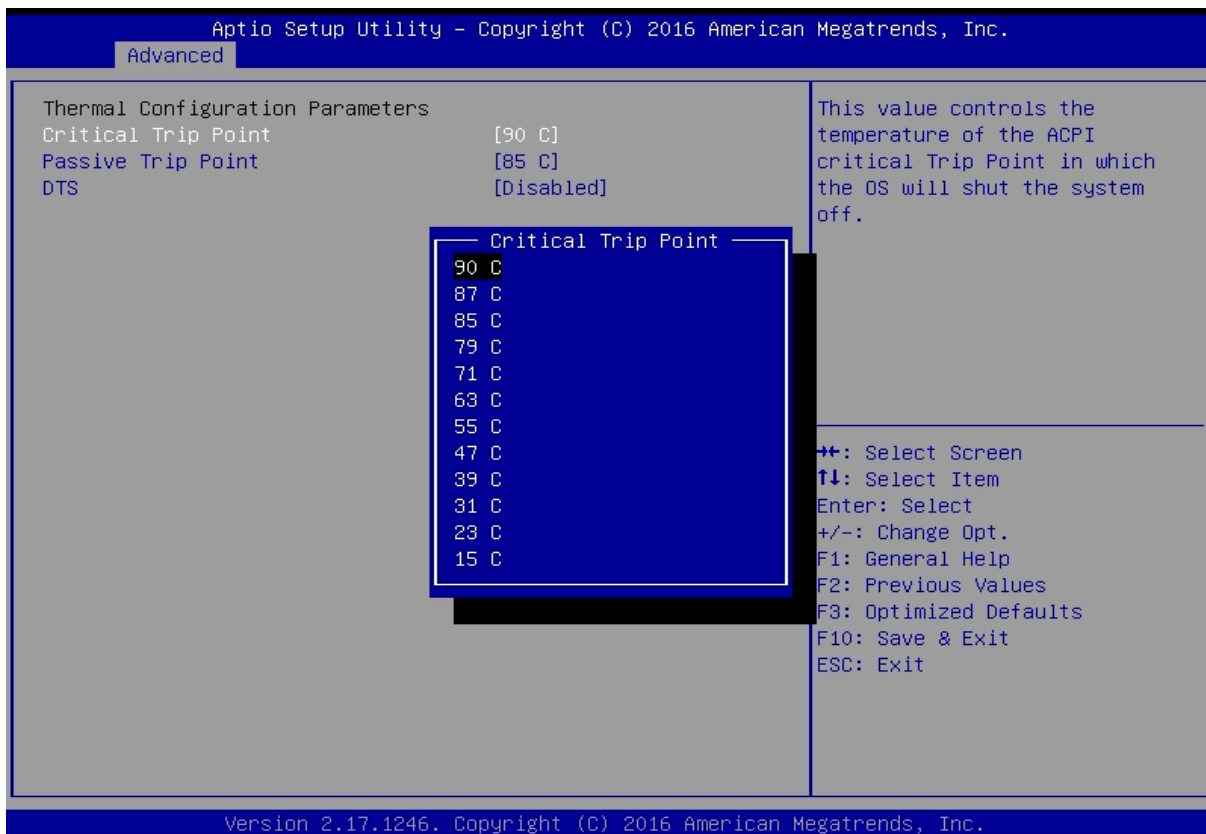
■ Adjacent Cache Line Prefetch

Enables or disables L2 prefetching of adjacent cache lines.

■ Intel Virtualization Technology

Enables or disables Intel Virtualization Technology. Virtualization enhanced by Intel Virtualization Technology will allow a platform to run multiple operating systems and applications in independent partitions. With virtualization, one computer system can function as multiple virtual systems.

4.3.6 Thermal Configuration



■ Critical Trip Point

Allows user to set the CPU temperature threshold. If the CPU temperature reaches this value, the operating system will shut down the system. This item is configurable only when DTS is enabled.

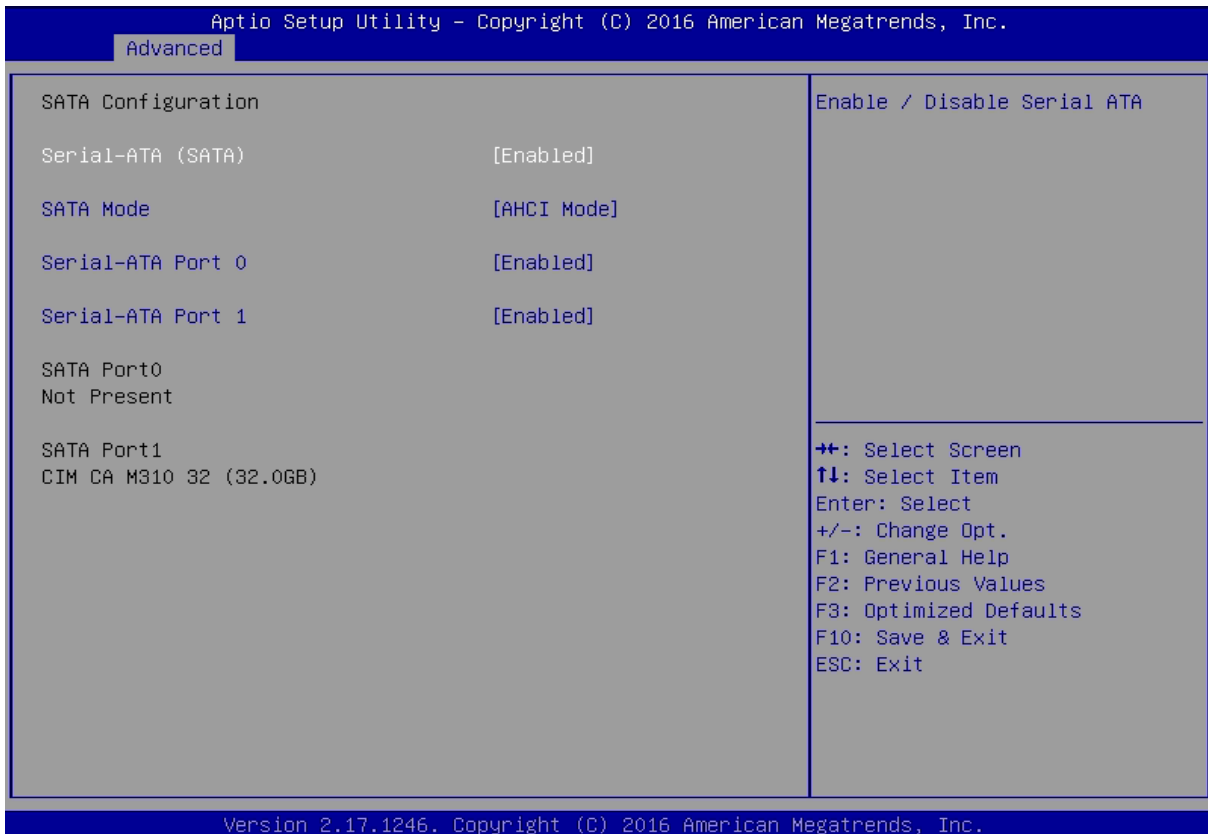
■ Passive Trip Point

Allows user to set the CPU temperature threshold. If the CPU temperature reaches this value, the CPU frequency will be automatically reduced. This item is configurable only when DTS is enabled.

■ DTS

Enables or disables the CPU overheating protection function. (Default: Disabled)

4.3.7 SATA Configuration



■ Serial-ATA (SATA)

This item will allow users to enable or disable Serial ATA.

■ SATA Mode

This item will allow users to select IDE or AHCI Mode.

■ Serial – ATA Port 0

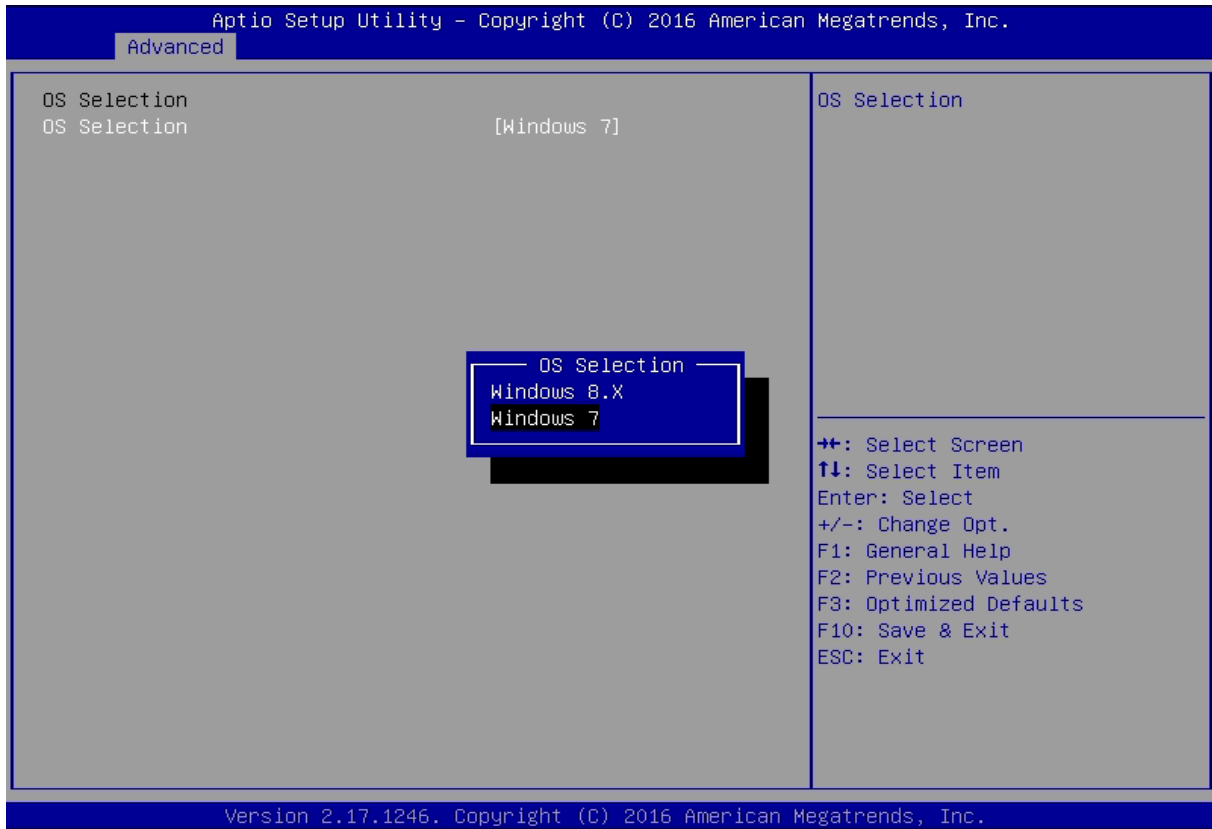
This item will allow users to enable or disable Serial-ATA Port 0.

■ Serial – ATA Port 1

This item will allow users to enable or disable Serial-ATA Port 1.

4.3.8 OS Selection

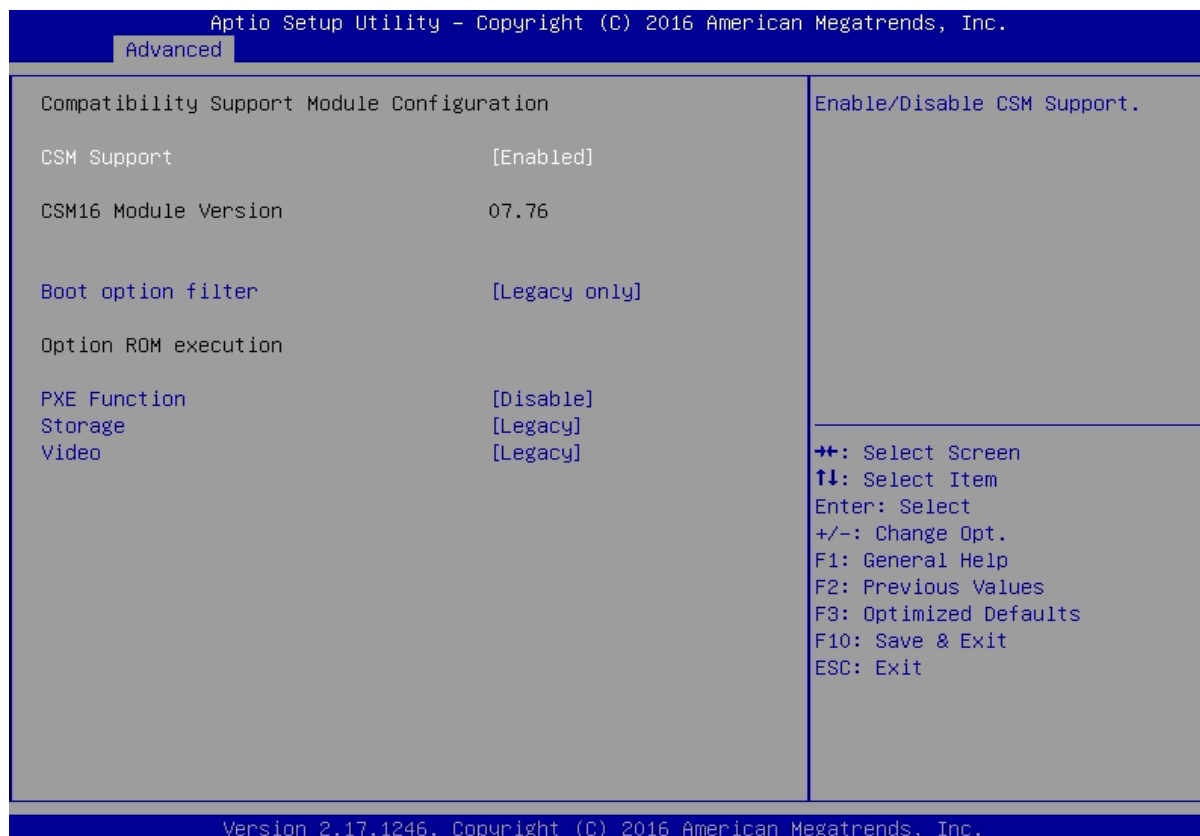
This allows you to configure Windows OS version to install. The purpose of this is to enable USB 3.0 controller interface. If you set Windows 7 and install the OS, you will need to install USB 3.0 driver at the OS level to fully support USB 3.0 interfaces. If you set Windows 8.x and install it or later OS, the Windows OS will easily support USB 3.0 interfaces.



■ OS Selection

This allows to set Windows 8.x or Windows 7 (default).

4.3.9 Compatibility Support Module Configuration



■ CSM Support

Enables or disables UEFI CSM (Compatibility Support Module) to support a legacy PC boot process.

■ Boot option filter

Allows user to select which type of operating system to boot.

UEFI and Legacy: Allows booting from operating systems that support legacy option ROM or UEFI option ROM.

Legacy only: Allows booting from operating systems that only support legacy option ROM.

UEFI only: Allows booting from operating systems that only support UEFI option ROM.

This item is configurable only when CSM Support is set to Enabled.

■ PXE Function

This item will allow users to enable or disable PXE function.

■ Storage

Allows user to select whether to enable the UEFI or legacy option ROM for the Storage device controller.

Do not launch: Disables option ROM.

UEFI only: Enables UEFI option ROM only.

Legacy only: Enables legacy option ROM only.

■ Video

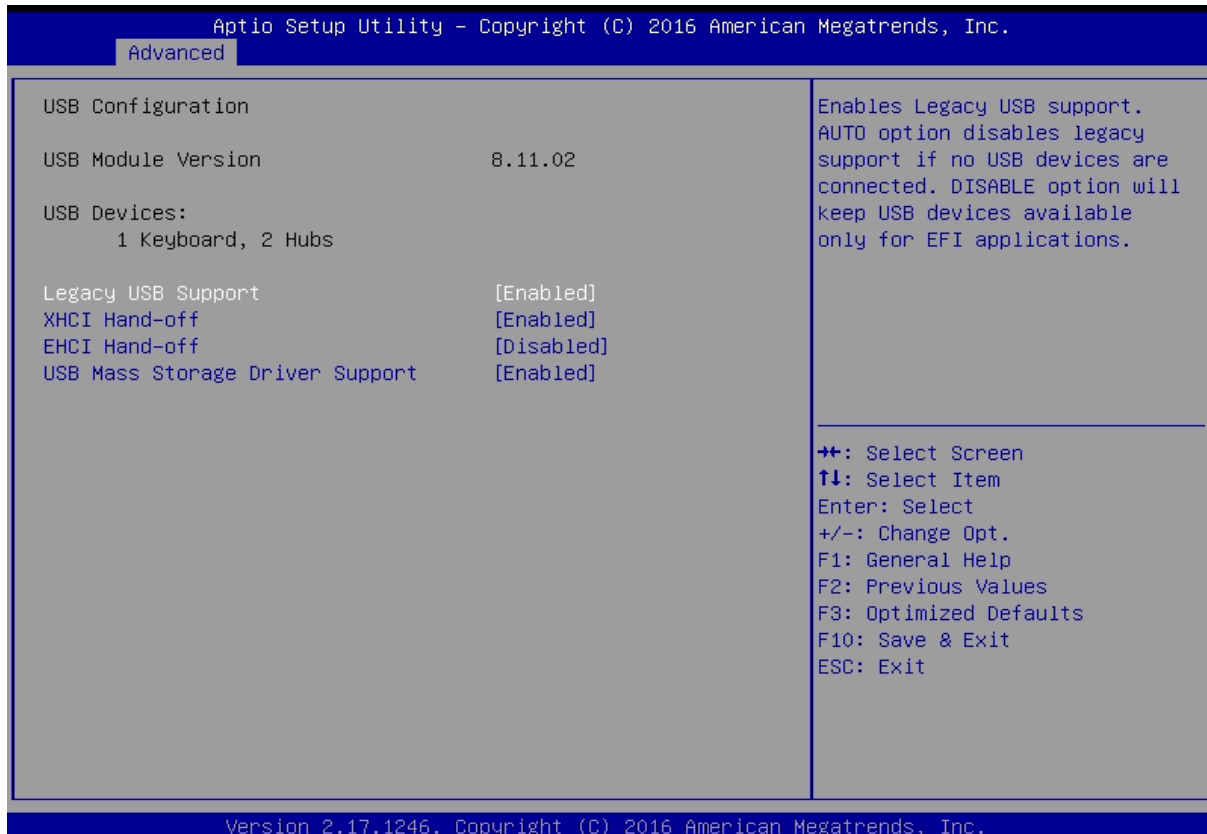
Allows user to select whether to enable the UEFI or legacy option ROM for the Video device controller.

Do not launch: Disables option ROM.

UEFI only: Enables UEFI option ROM only.

Legacy only: Enables legacy option ROM only.

4.3.10 USB Configuration



■ Legacy USB Support

Allows USB keyboard/ mouse to be used in MS-DOS.

■ XHCI Hand-off

Determines whether to enable XHCI (USB3.0) Hand-off feature for an operating system without XHCI (USB3.0) Hand-off support.

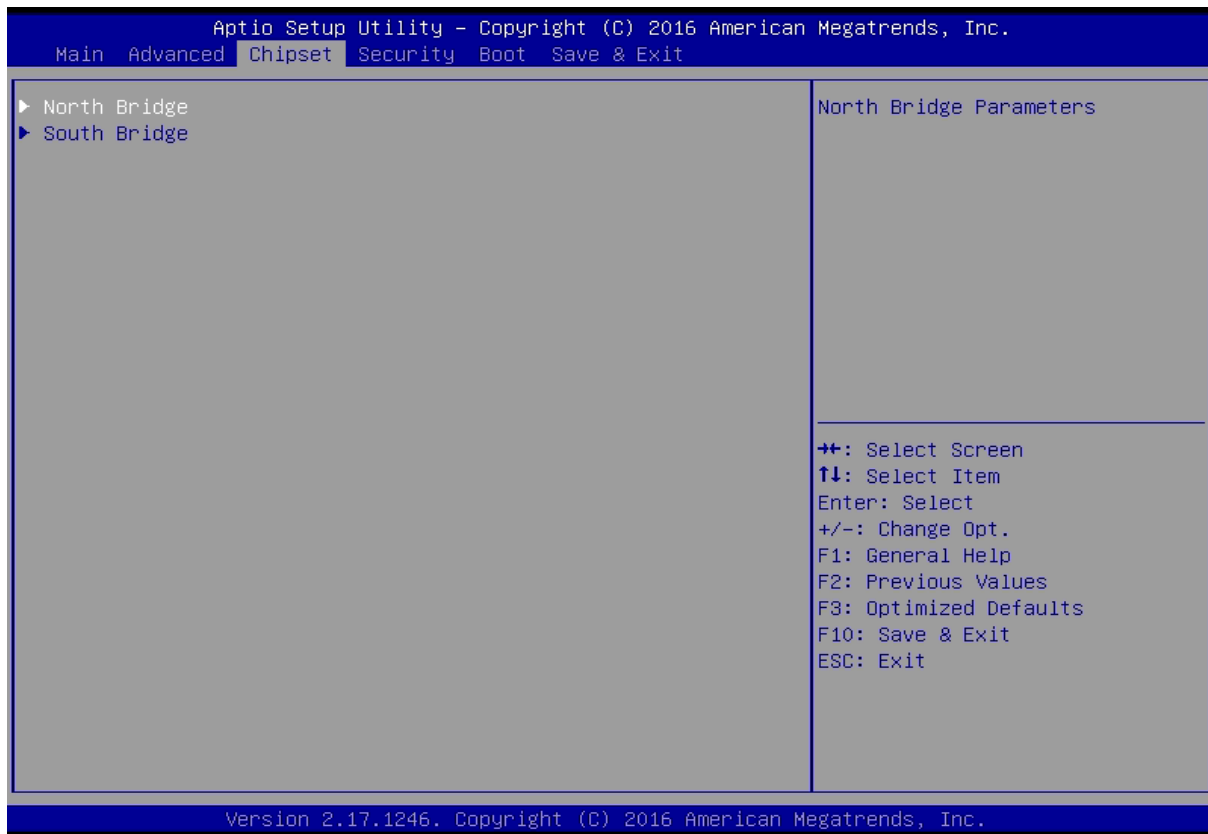
■ EHCI Hand-off

Determines whether to enable EHCI Hand-off feature for an operating system without EHCI Hand-off support.

■ USB Mass Storage Driver Support

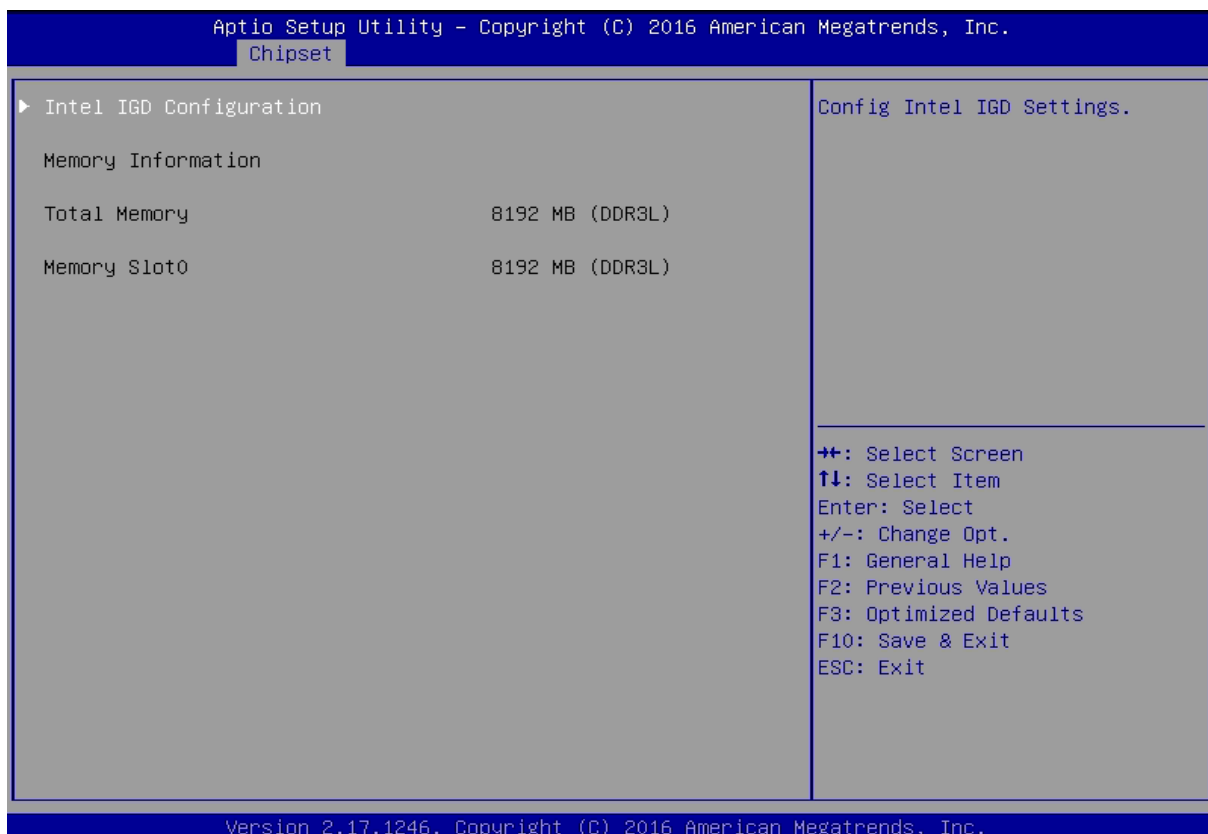
Enables or disables support for USB storage devices.

4.4 Chipset



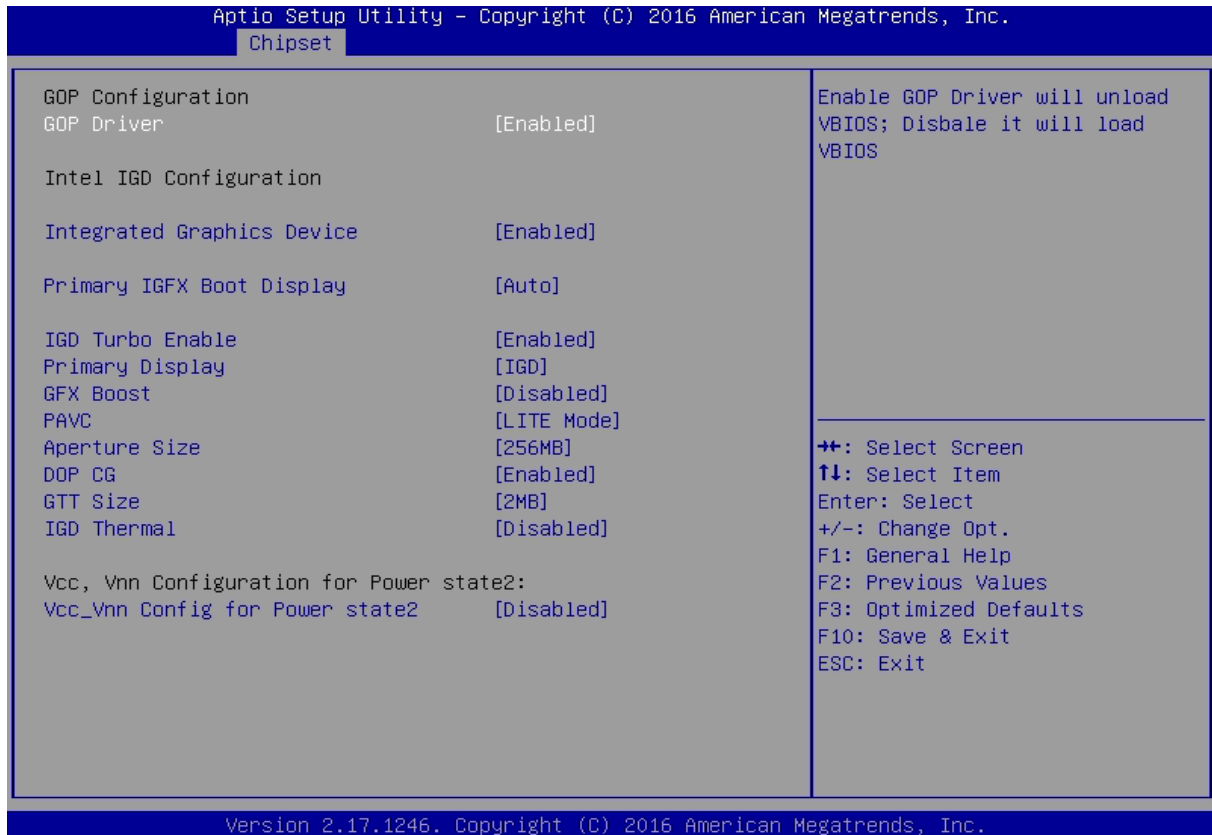
4.4.1 North Bridge

This section provides information on the installed memory size and memory/onboard graphics-related configuration options.



■ Intel IGD Configuration

This section provides onboard graphics-related configuration options.



❑ GOP Driver

This item will allow users to enable or disable GOP Driver.

❑ Integrated Graphics Device

This item will allow users to enable or disable Integrated Graphics Device.

❑ IGD Turbo Enable

This item will allow users to enable or disable IGD Turbo.

❑ Primary Display

"Auto or IGFX or PEG or PCIE or SG" optimal to Primary Display.

❑ GFX Boost

This item will allow users to enable or disable GFX Boost.

❑ Aperture Size

Aperture size optimal between 128MB, 256MB, or 512MB.

❑ DOP CG

This item will allow users to enable or disable DOP CG.

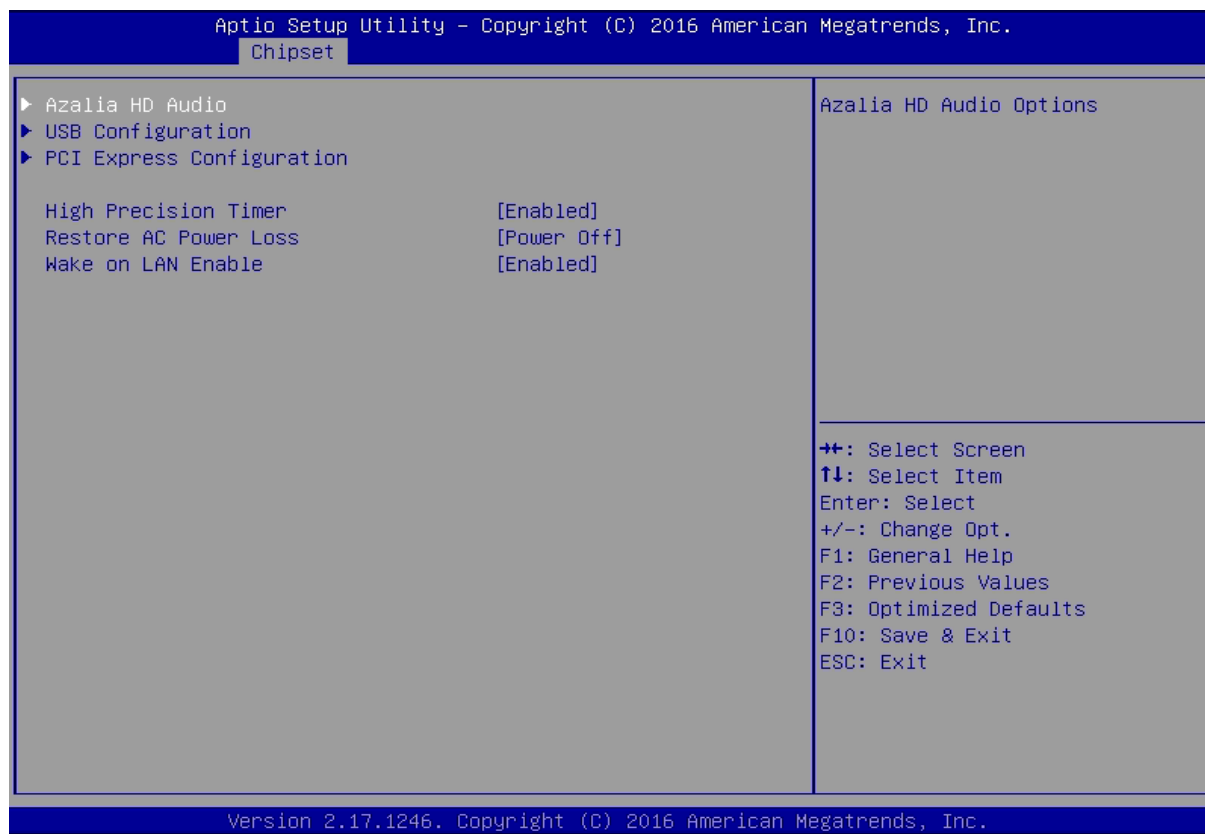
❑ GTT Size

GTT size optimal between 1MB or 2MB.

❑ IGD Thermal

This item will allow users to enable or disable IGD Thermal.

4.4.2 South Bridge



■ Azalia HD Audio

Control detection of the Azalia device.

□ Audio Controller

Enabled: Azalia will be unconditionally enabled.

Disabled: Azalia will be unconditionally disabled.

■ USB Configuration

□ XHCI Mode

This setting disables/enables the USB XHCI controller. The eXtensible Host Controller Interface (XHCI) is a computer interface specification that defines a register-level description of a Host Controller for Universal Serial Bus (USB), which is capable of interfacing to USB 1.0, 2.0, and 3.0 compatible devices. The specification is also referred to as the USB 3.0 Host Controller specification.

□ USB 2.0 (EHCI) Support

This setting disables/enables the USB EHCI controller. The Enhanced Host Controller Interface (EHCI) specification describes the register-level interface for a Host Controller for the Universal Serial Bus (USB) Revision 2.0.

□ USB RMH Mode

This item will allow users to enable or disable USB RMH Mode.

□ USB Port 0

This item will allow users to enable or disable USB Port 0.

□ USB Port 1

This item will allow users to enable or disable USB Port 1.

□ USB Port 2

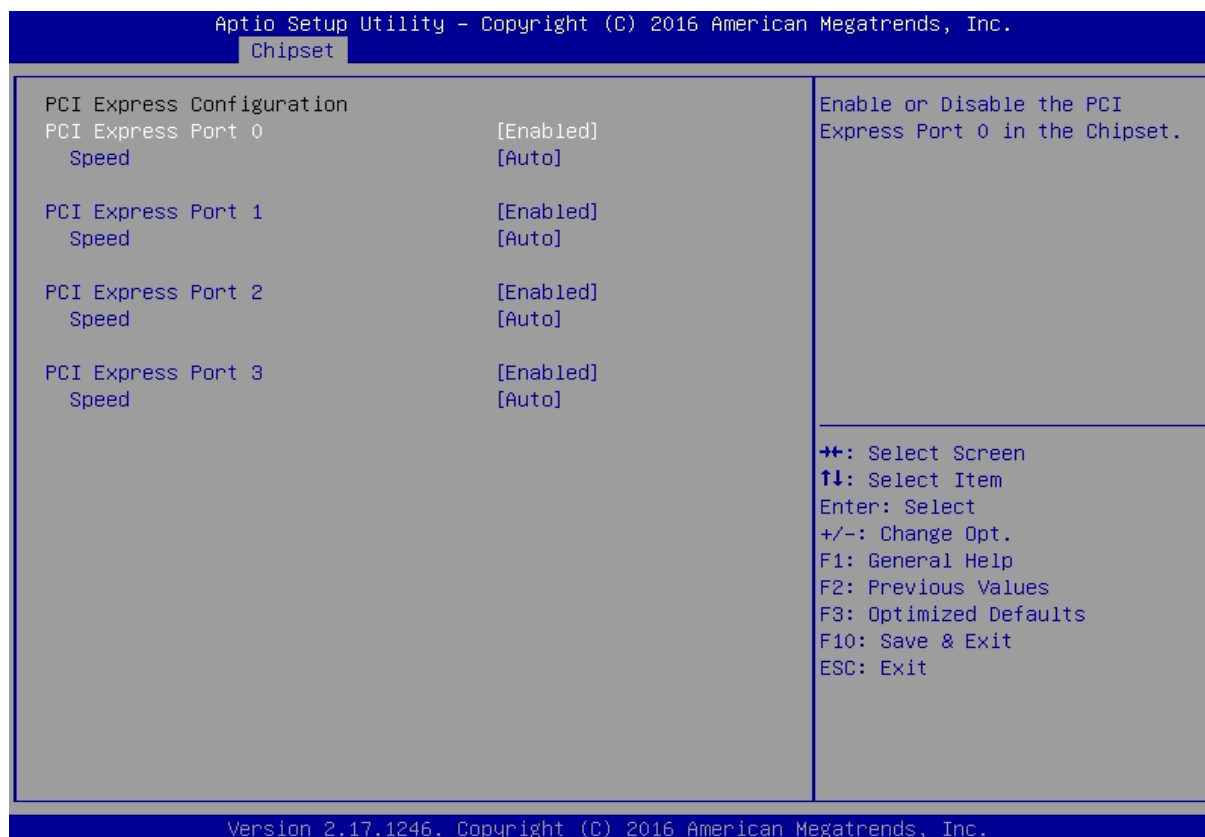
This item will allow users to enable or disable USB Port 2.

□ USB Port 3

This item will allow users to enable or disable USB Port 3.

■ Wake On LAN Enable

This item enables or disables Wake On LAN (WOL) function.



■ PCI Express Configuration

□ PCI Express Port 0

This item will allow users to enable or disable PCI Express Port 0.

□ Speed

Change the PCI Express interface speed. Select <AUTO> ,<Gen 2> or <Gen 1>

□ PCI Express Port 1

This item will allow users to enable or disable PCI Express Port 1.

□ Speed

Change the PCI Express interface speed. Select <AUTO> ,<Gen 2> or <Gen 1>

□ PCI Express Port 2

This item will allow users to enable or disable PCI Express Port 2.

□ Speed

Change the PCI Express interface speed. Select <AUTO> ,<Gen 2> or <Gen 1>

□ PCI Express Port 3

This item will allow users to enable or disable PCI Express Port 3.

□ Speed

Change the PCI Express interface speed. Select <AUTO> ,<Gen 2> or <Gen 1>

■ High Precision Timer

Enable or disable High Precision Event Timer (HPET) in the operating system.

■ Restore AC Power Loss

This setting specifies whether your system will reboot after a power failure or interrupt occurs. Available settings are:

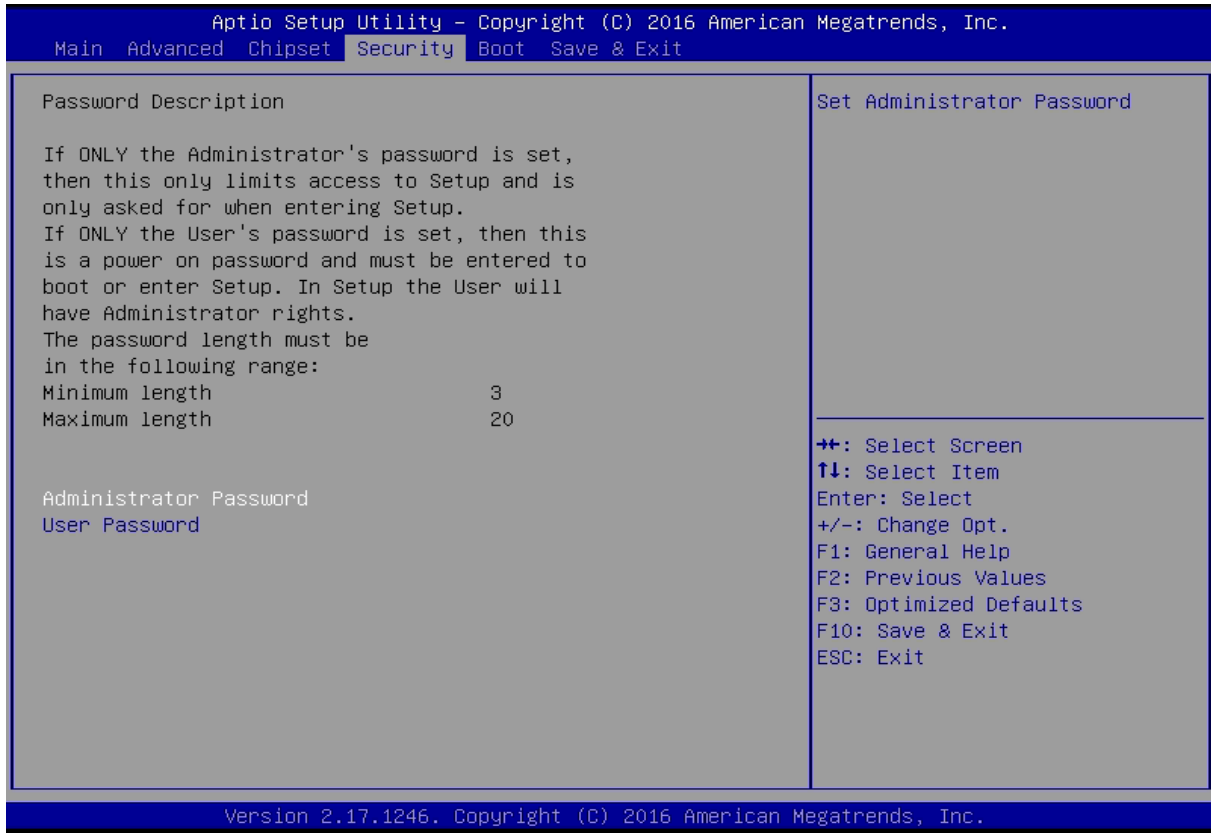
Power Off: Leave the computer in the power off state.

Power On: Leave the computer in the power on state.

Last State: Restore the system to the previous status before power failure or interrupt occurred.

4.5 Security

This section allows you to configure and improve your system and allows you to set up some system features according to your preference.



4.5.1 Administrator Password

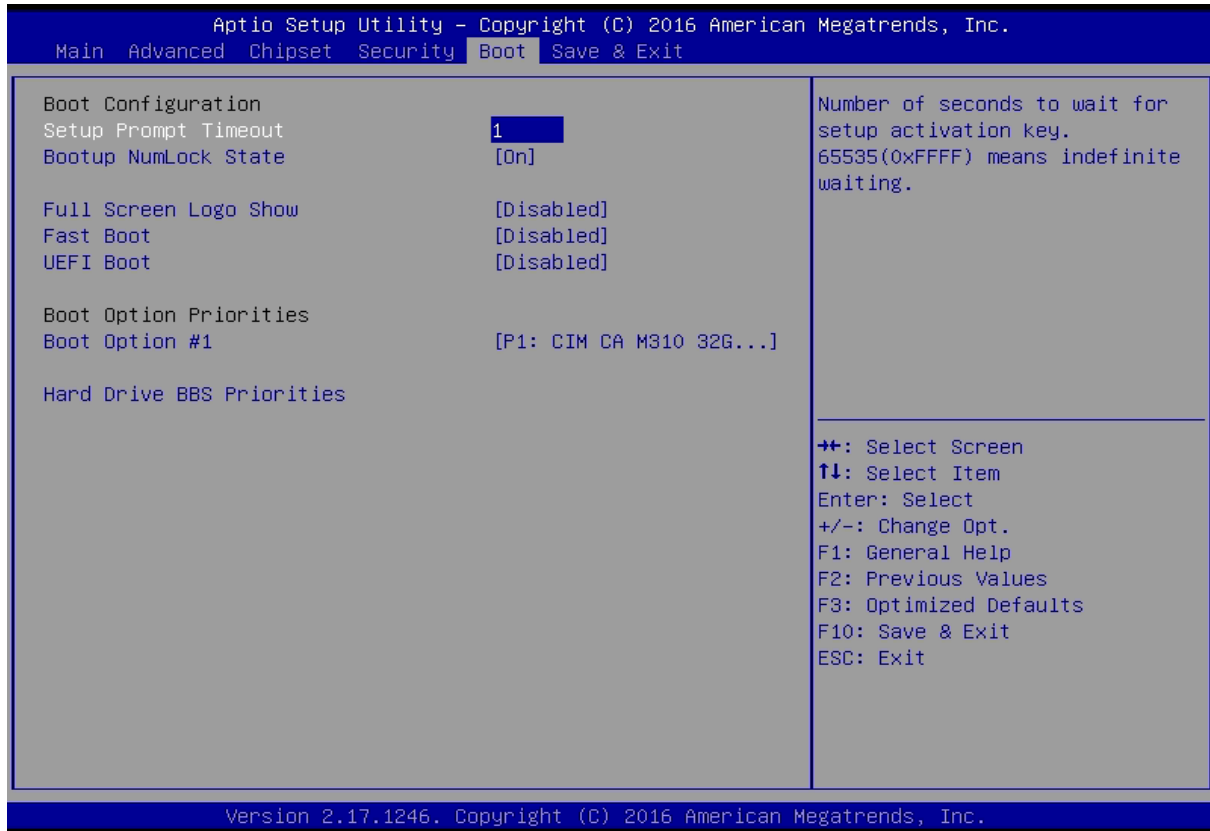
Administrator Password controls access to the BIOS Setup utility.

4.5.2 User Password

User Password controls access to the system at boot and to the BIOS Setup utility.

4.6 Boot

This section allows you to configure the boot settings.



4.6.1 Setup Prompt Timeout

Use this item to set number of seconds to wait for setup activation key.

4.6.2 Bootup NumLock State

Select the Power-on state for Numlock.

4.6.3 Full Screen Logo Show

This item allows user to enable or disable full screen logo show.

4.6.4 Fast Boot

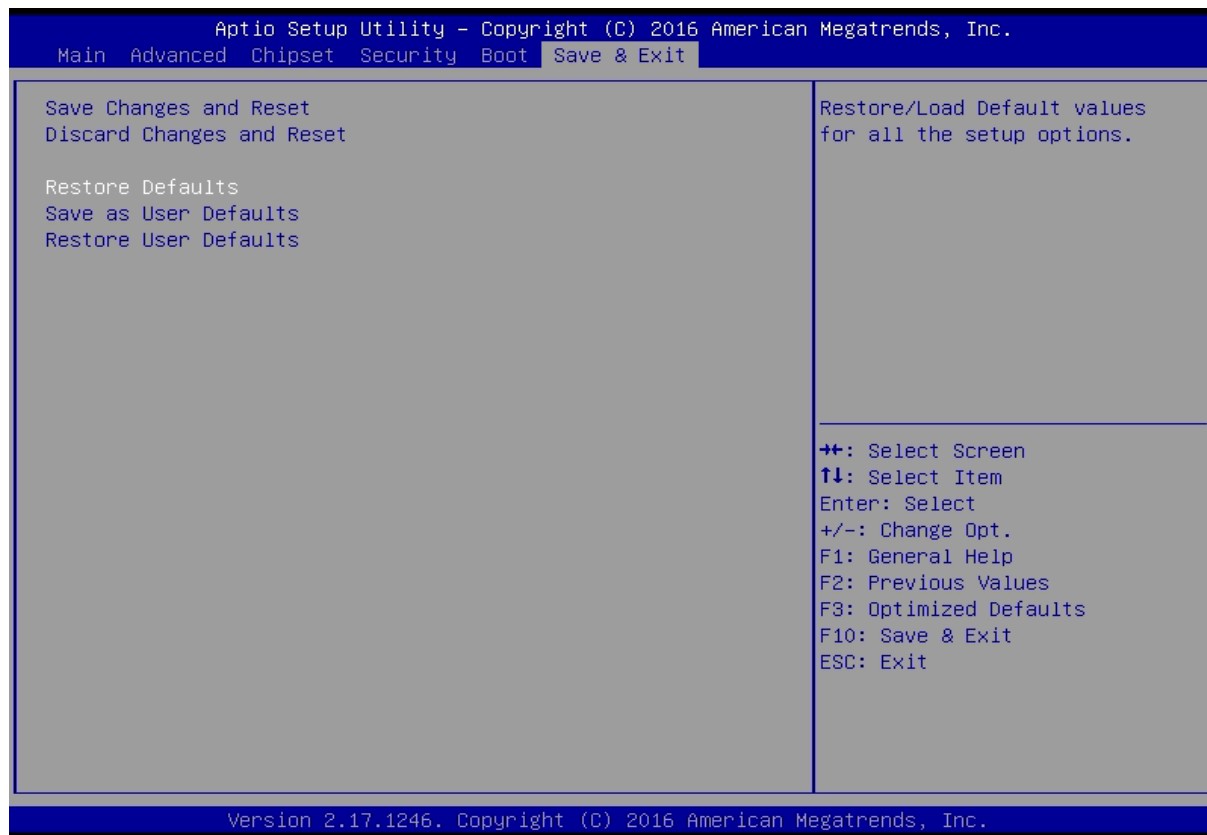
This item allows user to enable or disable Fast Boot option.

4.6.5 UEFI Boot

This item allows user to enable or disable UEFI Boot option.

4.7 Save & Exit

This section allows you to configure the boot settings.



4.7.1 Save Changes and Reset

This item allows user to reset system setup after saving changes.

4.7.2 Discard Changes and Reset

This item allows user to reset system setup without saving any changes.

4.7.3 Restore Defaults

This item allows user to restore/ load default values for all the options.

4.7.4 Save as User Defaults

This item allows user to save the changes done so far as user defaults.

4.7.5 Restore User Defaults

This item allows user to restore the user defaults to all the options.



Chapter 5

Product Application

5.1 Digital I/O (DIO) application

This section describes DIO application of the product. The content and application development are better understood and implemented by well experienced professionals or developers.

5.1.1 Digital I/O Programming Guide

5.1.1.1 Pins for Digital I/O for Cincoze P1001 series product

Item	Standard
GPIO74 (Pin107)	DI
GPIO75 (Pin108)	
GPIO76 (Pin109)	
GPIO77 (Pin110)	
GPIO80 (Pin111)	DO
GPIO81 (Pin112)	
GPIO82 (Pin113)	
GPIO83 (Pin114)	

5.1.1.2 Programming Guide

To program the Super I/O chip F81866A configuration registers, the following configuration procedures must be followed in sequence:

- (1) Enter the Extended Function Mode
- (2) Configure the configuration registers
- (3) Exit the Extended Function Mode

The configuration register is used to control the behavior of the corresponding devices. To configure the register, use the index port to select the index and then write data port to alter the parameters. The default index port and data port are 0x4E and 0x4F, respectively. **To enable configuration, the entry key 0x87 must be written to the index port. To disable configuration, write exit entry key 0xAA to the index port.** Following is an example to enable configuration and to disable configuration by using debug.

- o 4e 87
- o 4e 87 (enable configuration)
- o 4e aa (disable configuration)

5.1.1.3 Relative Registers

To program the F81866A configuration registers, see the following configuration procedures.

Logic Device Number Register (LDN) — Index 07h

Bit	Name	R/W	Reset	Default	Description
7-0	LDN	R/W	LRESET#	00h	00h: Select FDC device configuration registers. 03h: Select Parallel Port device configuration registers. 04h: Select Hardware Monitor device configuration registers. 05h: Select KBC device configuration registers. 06h: Select GPIO device configuration registers. 07h: Select WDT device configuration registers. 0Ah: Select PME, ACPI and ERP device configuration registers. 10h: Select UART1 device configuration registers. 11h: Select UART2 device configuration registers. 12h: Select UART3 device configuration registers. 13h: Select UART4 device configuration registers. 14h: Select UART5 device configuration registers. 15h: Select UART6 device configuration registers. Otherwise: Reserved.

7.7.11.1GPIO7 Output Enable Register — Index 80h

Bit	Name	R/W	Reset	Default	Description
7	GPIO77_OE	R/W	LRESET#	0	0: GPIO77 is in input mode. 1: GPIO77 is in output mode.
6	GPIO76_OE	R/W	LRESET#	0	0: GPIO76 is in input mode. 1: GPIO75 is in output mode.
5	GPIO75_OE	R/W	LRESET#	0	0: GPIO75 is in input mode. 1: GPIO75 is in output mode.
4	GPIO74_OE	R/W	LRESET#	0	0: GPIO74 is in input mode. 1: GPIO74 is in output mode.

7.7.11.3GPIO7 Pin Status Register — Index 82h (This byte could be also read by base address + 3)

Bit	Name	R/W	Reset	Default	Description
7	GPIO77_IN	R	-	-	The pin status of GPIO77/STB#.
6	GPIO76_IN	R	-	-	The pin status of GPIO76/AFD#.
5	GPIO75_IN	R	-	-	The pin status of GPIO75/ERR#.
4	GPIO74_IN	R	-	-	The pin status of GPIO74/INIT#.

7.7.12.1GPIO8 Output Enable Register — Index 88h

3	GPIO83_OE	R/W	LRESET#	1	0: GPIO83 is in input mode. 1: GPIO83 is in output mode.
2	GPIO82_OE	R/W	LRESET#	1	0: GPIO82 is in input mode. 1: GPIO82 is in output mode.
1	GPIO81_OE	R/W	LRESET#	1	0: GPIO81 is in input mode. 1: GPIO81 is in output mode.
0	GPIO80_OE	R/W	LRESET#	1	0: GPIO80 is in input mode. 1: GPIO80 is in output mode.

7.7.12.2GPIO8 Output Data Register — Index 89h (This byte could be also written by base address + 2)

3	GPIO83_VAL	R/W	LRESET#	1	0: GPIO83 outputs 0 when in output mode. 1: GPIO83 outputs 1 when in output mode.
2	GPIO82_VAL	R/W	LRESET#	1	0: GPIO82 outputs 0 when in output mode. 1: GPIO82 outputs 1 when in output mode.
1	GPIO81_VAL	R/W	LRESET#	1	0: GPIO81 outputs 0 when in output mode. 1: GPIO81 outputs 1 when in output mode.
0	GPIO80_VAL	R/W	LRESET#	1	0: GPIO80 outputs 0 when in output mode. 1: GPIO80 outputs 1 when in output mode.

5.1.1.4 Sample Code in C Language

5.1.1.4.1 Control of GP74 to GP77 (DI1 ~ DI4)

```
#define AddrPort 0x4E
```

```
#define DataPort 0x4F
```

<Enter the Extended Function Mode>

```
WriteByte(AddrPort, 0x87)
```

```
WriteByte(AddrPort, 0x87) // Must write twice to enter Extended mode
```

<Select Logic Device>

```
WriteByte(AddrPort, 0x07)
```

```
WriteByte(dataPort, 0x06)
```

```
//Select logic device 06h
```

<Input Mode Selection> //Set GP74 to GP77 input Mode

```
WriteByte(AddrPort, 0x80) // Select configuration register 80h
```

```
WriteByte(DataPort, 0x0X)
```

```
//Set (bit 4~7) = 0 to select GP 74~77 as Input mode.
```

<input Value>

```
WriteByte(AddrPort, 0x82) // Select configuration register 82h
```

```
ReadByte(DataPort, Value) // Read bit 4~7(0xFx)= GP74 ~77  
as High.
```

<Leave the Extended Function Mode>

```
WriteByte(AddrPort, 0xAA)
```

5.1.1.4.2 Control of GP80 to GP83 (DO1 ~ DO4)

```
#define AddrPort 0x4E  
#define DataPort 0x4F
```

<Enter the Extended Function Mode>

```
WriteByte(AddrPort, 0x87)  
WriteByte(AddrPort, 0x87) // Must write twice to enter Extended mode
```

<Select Logic Device>

```
WriteByte(AddrPort, 0x07)  
WriteByte(DataPort, 0x06)  
// Select logic device 06h
```

<Output Mode Selection> //Set GP80 to GP83 output Mode

```
WriteByte(AddrPort, 0x88) // Select configuration register 88h  
WriteByte(DataPort, (0xFF))  
//Set (bit 0~3) = 1 to select GP 80 ~83 as Output mode.
```

<Output Value>

```
WriteByte(AddrPort, 0x89) // Select configuration register 89h  
WriteByte(DataPort, Value) // Set bit 0~3=(0/1) to output GP 80~83  
as Low or High
```

<Leave the Extended Function Mode>

```
WriteByte(AddrPort, 0xAA)
```

5.1.1.5 Change base address - DIO base address (Cincoze default 0xA00)

<Enter the Extended Function Mode>

WriteByte(AddrPort, 0x87)

WriteByte(AddrPort, 0x87) // Must write twice to enter Extended mode

<Select Logic Device>

WriteByte(AddrPort, 0x07)

WriteByte(dataPort, 0x06)

// Select logic device 06h

WriteByte(AddrPort, 0x60) // Select configuration register 60h (High Byte address)

WriteByte(DataPort, (0x0A))

WriteByte(AddrPort, 0x61) // Select configuration register 61h (Low Byte address)

WriteByte(DataPort, (0x00))

<Leave the Extended Function Mode>

WriteByte(AddrPort, 0xAA)

Note: Cincoze DIO Port base address is 0x0A00h.**5.1.1.6 DATA Bit Table (DI/O)**

7	6	5	4	3	2	1	0	bit
0	0	0	1	-	-	-	-	value
1				X				/h

= DI1(Base Address +3)
(0xA03)

7	6	5	4	3	2	1	0	bit
-	-	-	-	0	0	0	1	value
X				1				/h

= DO1(Base Address +2)
(0xA02)

7	6	5	4	3	2	1	0	bit
0	0	1	0	-	-	-	-	value
2				X				/h

= DI2(Base Address +3)
(0xA03)

7	6	5	4	3	2	1	0	bit
-	-	-	-	0	0	1	0	value
X				2				/h

= DO2(Base Address +2)
(0xA02)

7	6	5	4	3	2	1	0	bit
0	1	0	0	-	-	-	-	value
4				X				/h

= DI3(Base Address +3)
(0xA03)

7	6	5	4	3	2	1	0	bit
-	-	-	-	0	1	0	0	value
X				4				/h

= DO3(Base Address +2)
(0xA02)

7	6	5	4	3	2	1	0	bit
1	0	0	0	-	-	-	-	value
8				X				/h

= DI4(Base Address +3)
(0xA03)

7	6	5	4	3	2	1	0	bit
-	-	-	-	1	0	0	0	value
X				8				/h

= DO4(Base Address +2)
(0xA02)

5.1.1.7 DIO I/O Port Address

DI4	DI3	DI2	DI1	DO4	DO3	DO2	DO1	Pin Definition
7	6	5	4	3	2	1	0	Data Bits
DI				DO				DIO
0xA03				0xA02				I/O Port address

5.2 Digital I/O (DIO) Hardware Specification

- XCOM+ / 2XCOM+ : Isolated power in V+
- XCOM- / 2XCOM- : Isolated power in V-
- Isolated power in DC voltage : 9~30V

- 8x Digital Input (Source Type)

- Input Signal Voltage Level
 - Signal Logic 0 : XCOM+ = 9V, Signal Low - V- < 1V
XCOM+ > 9V, V+ - Signal Low > 8V
 - Signal Logic 1 : > XCOM+ - 3V

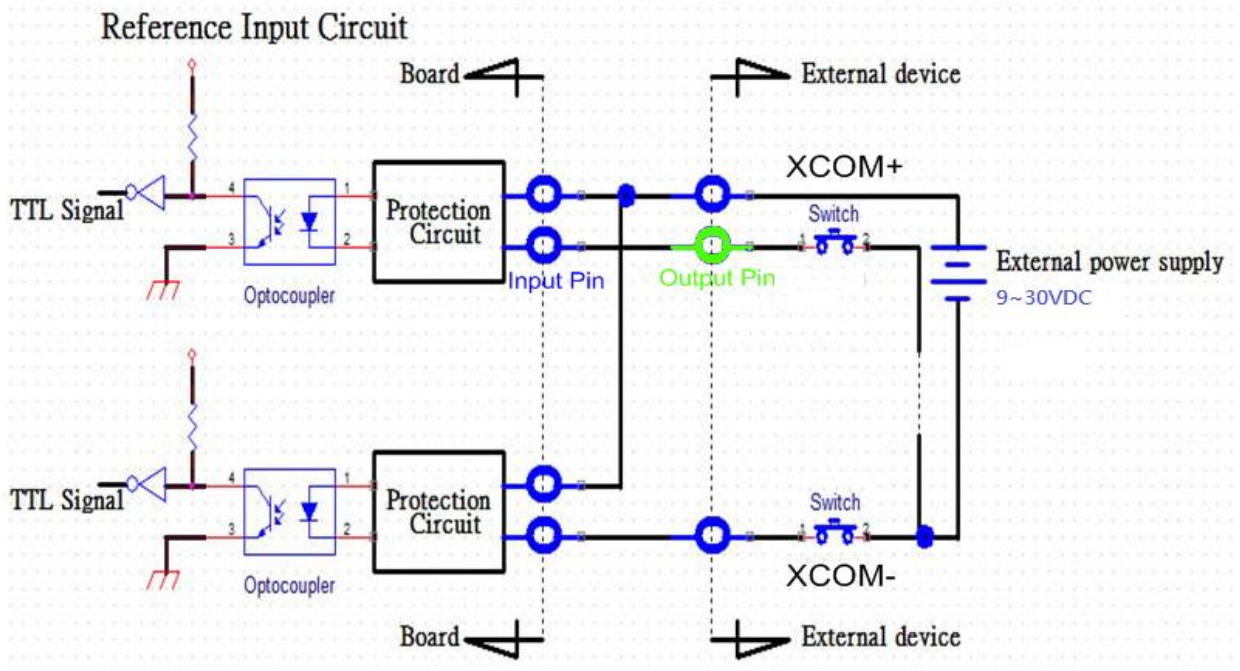
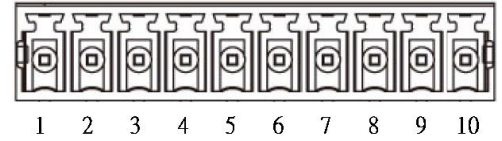
- Input Driving Sink Current :
 - Minimal : 1 mA
 - Normal : 5 mA

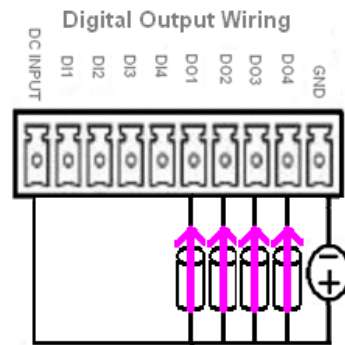
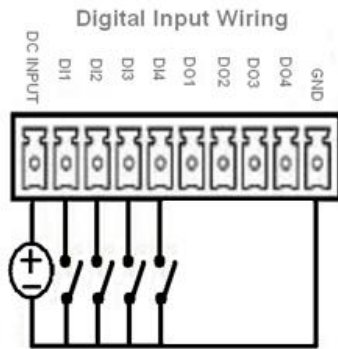
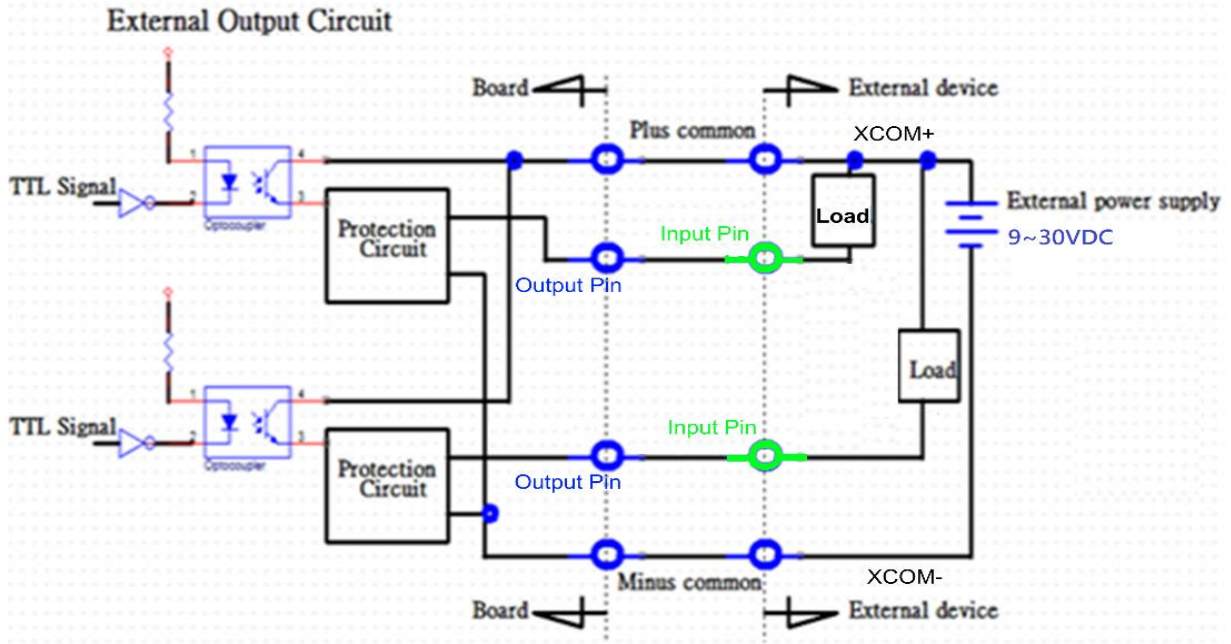
- 8x Digital Output (Open Drain)
 - DO Signal have to pull up resistor to XCOM+ for external device, the resistance will affect the pull up current
 - Signal High Level : Pull up resistor to XCOM+
 - Signal Low Level : = XCOM-
 - Sink Current: 1A (Max)

DIO1: Digital Input / Output Connector

Connector Type: Terminal Block 1X10 10-pin, 3.5mm pitch

Pin	Definition	Pin	Definition
1	DC INPUT	6	DO1
2	DI1	7	DO2
3	DI2	8	DO3
4	DI3	9	DO4
5	DI4	10	GND





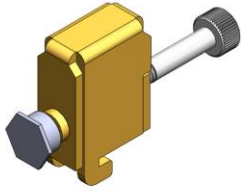


Appendix

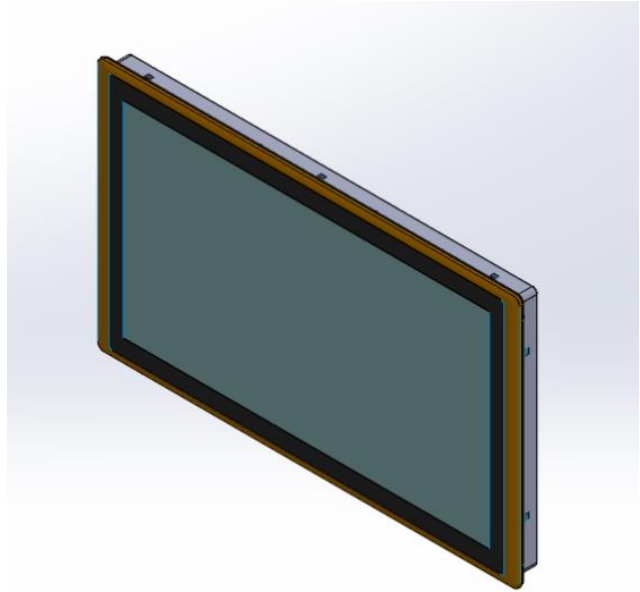
Panel Mount Procedures

A.1 Mounting Solution Guide For Panel Mount

1. Accessories provided by Cincoze are as follows.



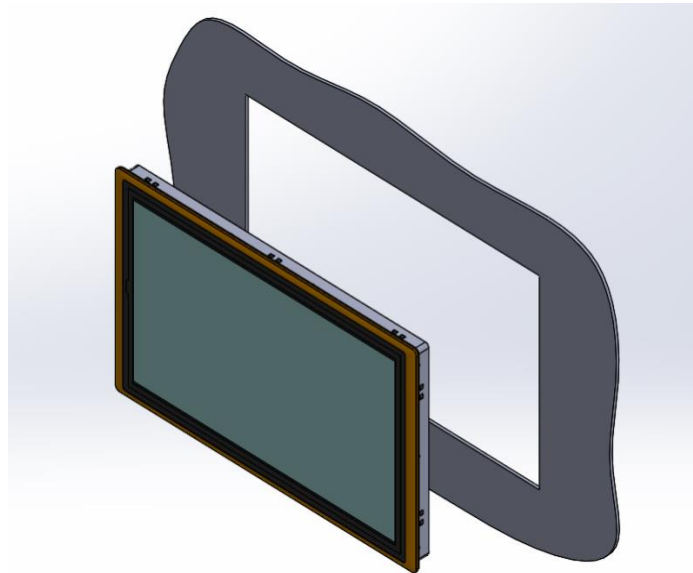
Mounting Kits



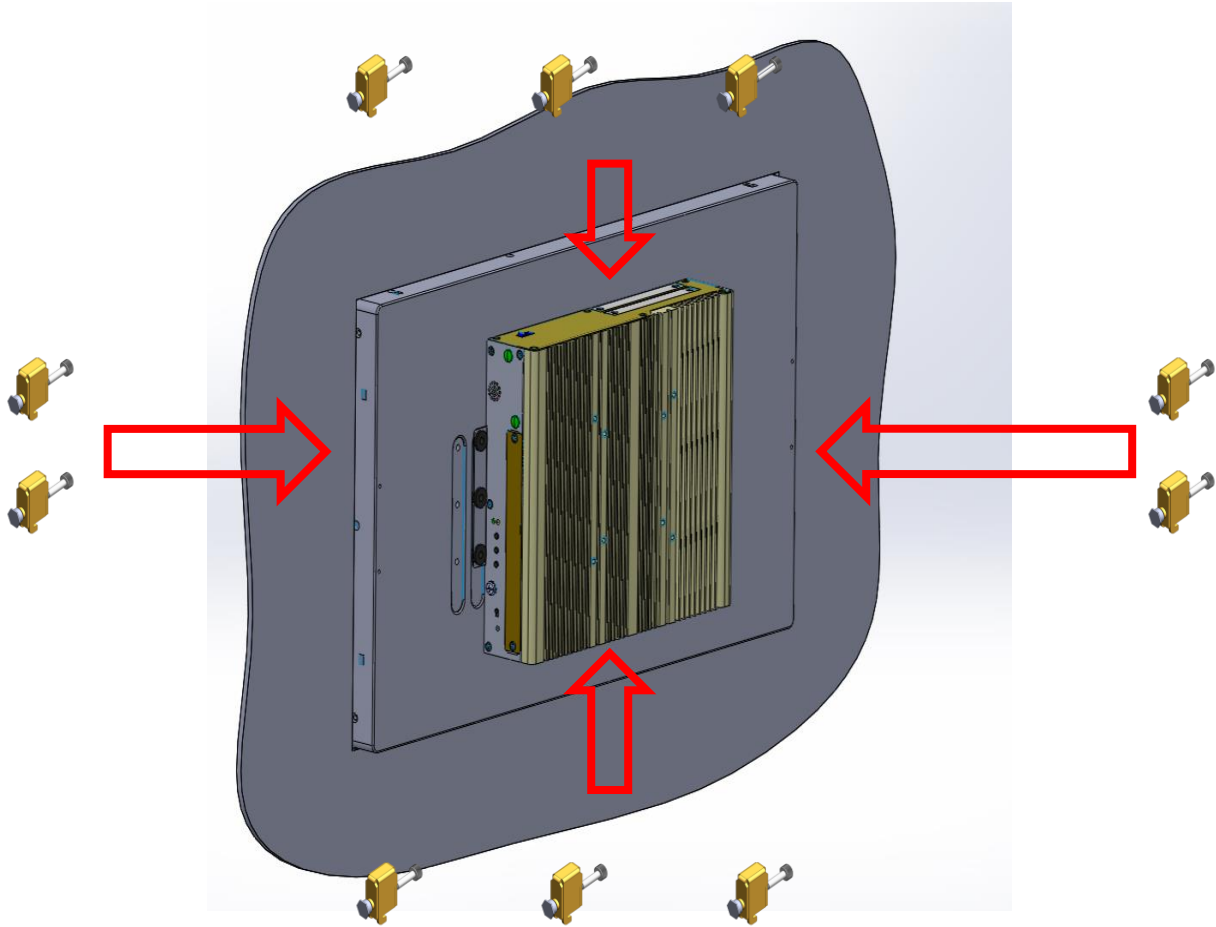
Panel Mount PPC

Before assembly, please prepare panel mount PPC and customer's fixture.

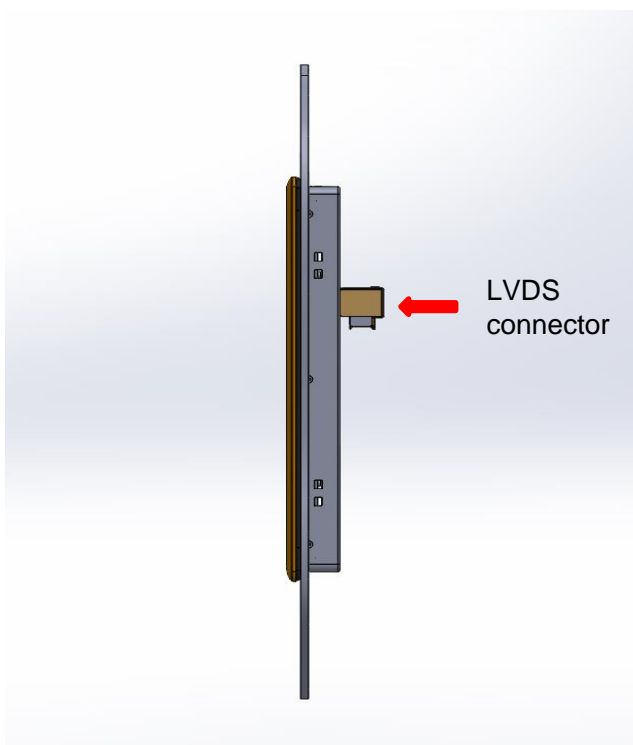
Panel Mount with customer's fixture
(Front View)



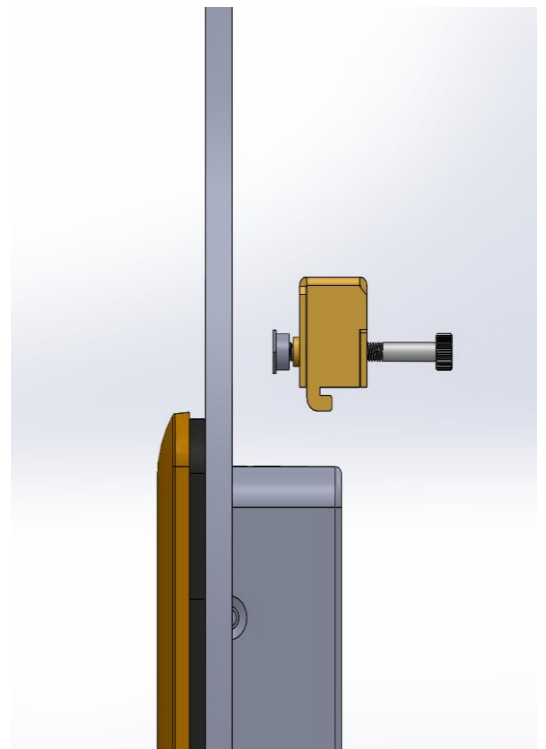
2. All mounting kits displayed are to be inserted into holes.



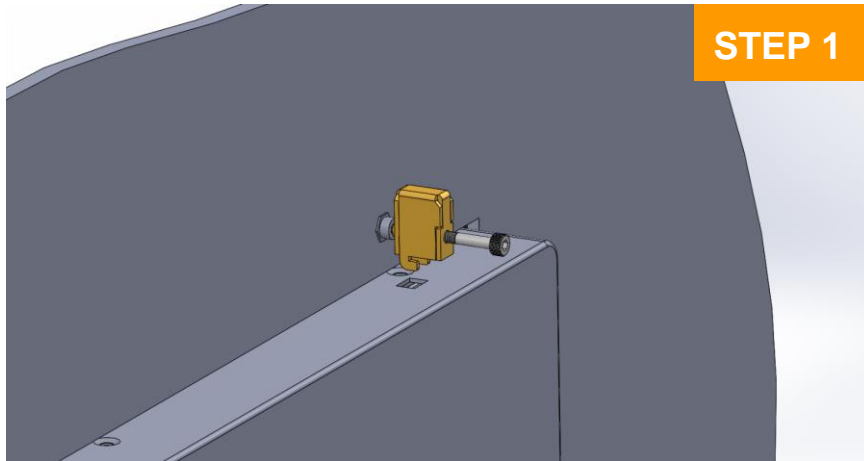
3. Installation preparation and steps.



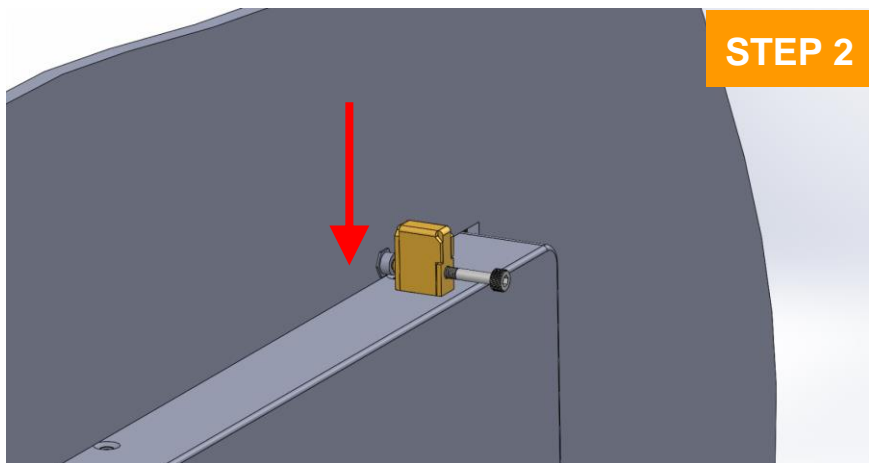
Panel mount side view with LVDS connector of CV series



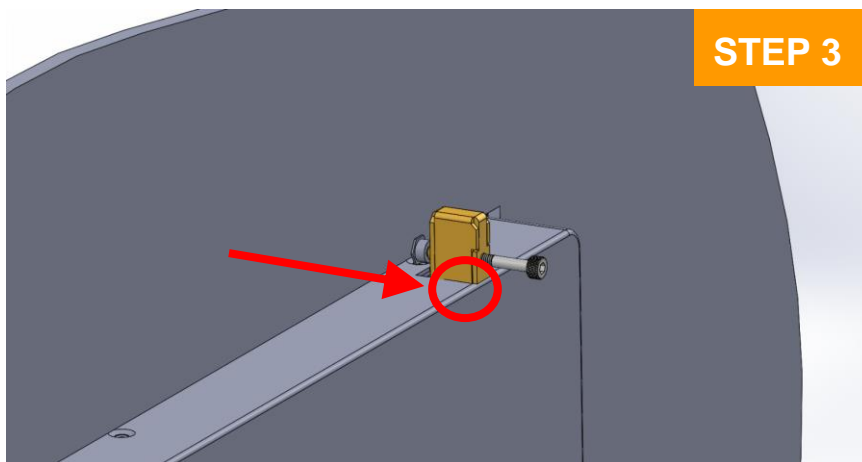
Before Mounting Kits are installed



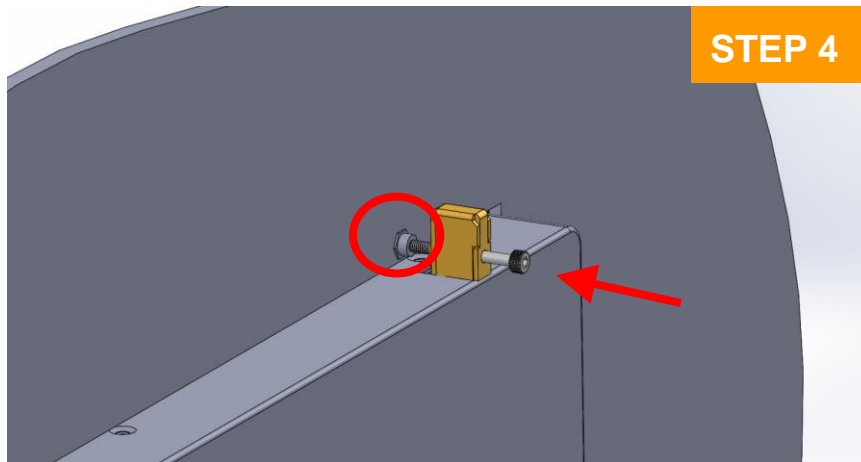
Position panel mount kits



Insert the panel mounting kit into bottom hole

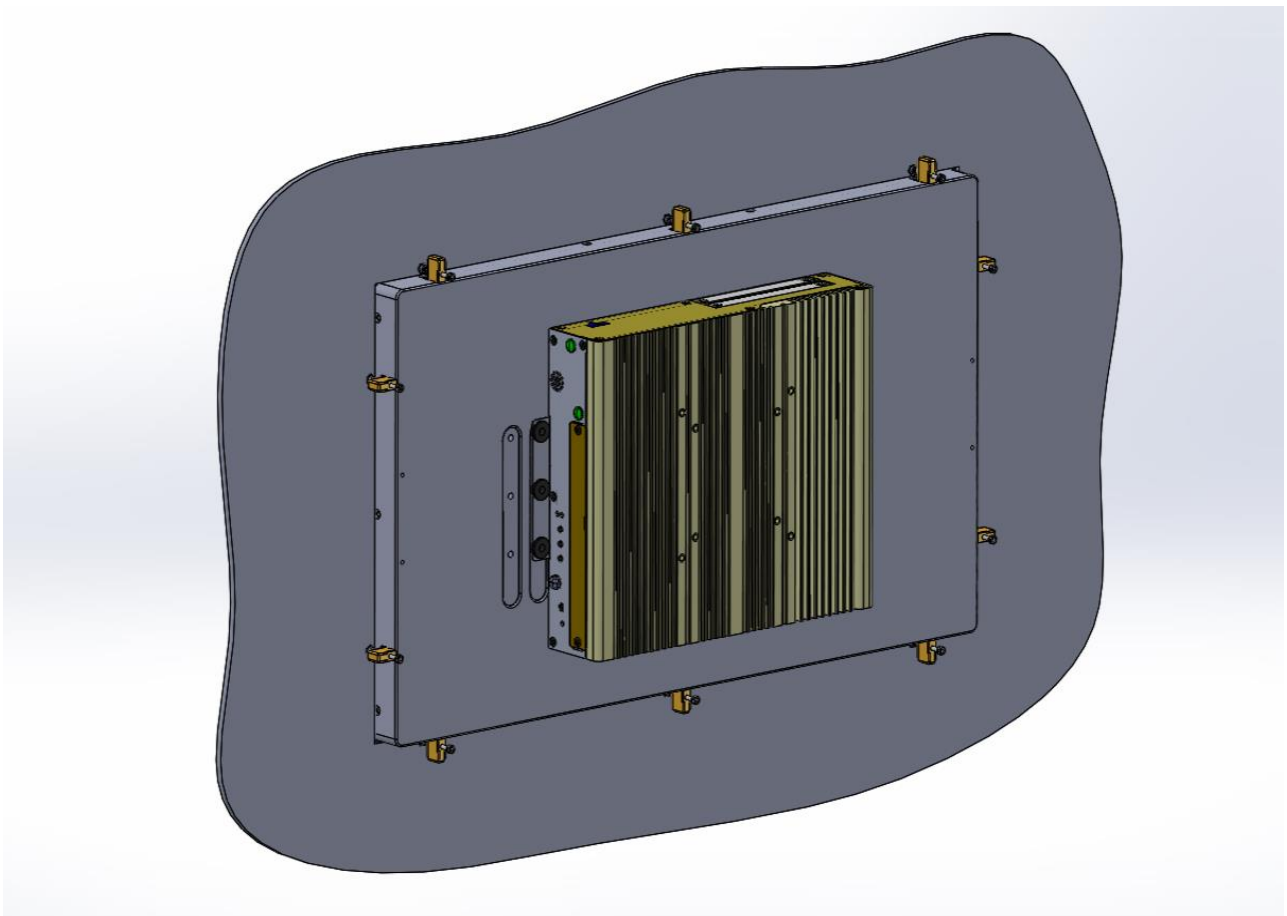


Slide the kit toward back



Tighten the screw forward until the front screw just touches the surface

4. Apply all mount kits to the rest of holes. And you have completed the panel mount installation, as shown below.





www.cincoze.com

© 2014 Cincoze Co., Ltd. All rights reserved.

The Cincoze logo is a registered trademark of Cincoze Co., Ltd.

All other logos appearing in this catalog are the intellectual property of the respective company, product, or organization associated with the logo.

All product specifications and information are subject to change without notice.