

Datasheet

Slim SSD

3ME3 series

- SATA III solution for industrial field
- Innovative Firmware Algorithm
- DRAM-less, 100% data integrity
- Excellent random performance
- Supports TRIM/NCQ/SMART
- Built in iData Guard
- iSMART disk health monitoring
- Compatible with JEDEC MO-297 standard
- Alternatively solution of 2.5" SSD



Introduction

Innodisk Slim SSD 3ME3 is SATA III 6Gb/s Flash based disk, which designed with standard SATA interface (7+15 SATA connector). With its smaller dimension, Slim SSD 3ME3 is an alternative solution of 2.5" SSD for those embedded system that may have mechanical and space concerns. Innodisk Slim SSD 3ME3 operates under SATA III (6.0Gb/s) interface with excellent performance and reliability making it the ideal solution for a variety of applications, including embedded system, and industrial field.

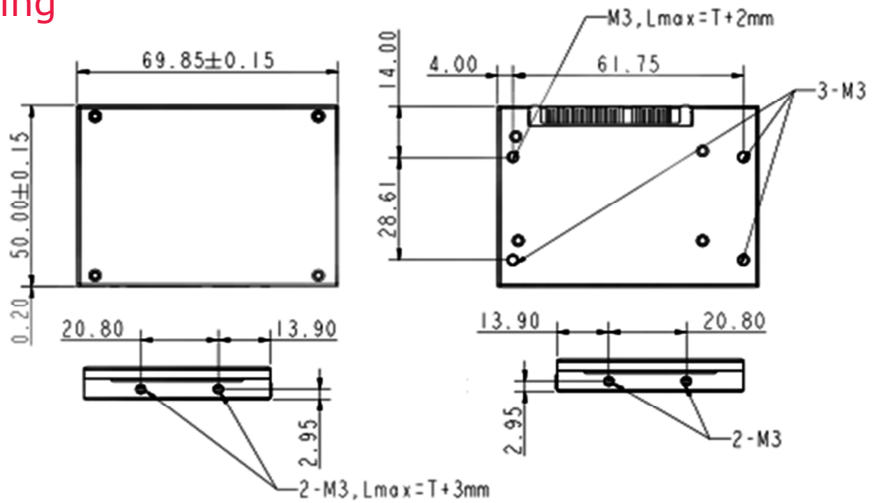
Slim SSD

3ME3 series

Drawing

Contact us for more information about the SATA Slim 3ME3

Innodisk is a service-driven provider of industrial embedded flash and DRAM storage products and technologies, with a focus on the industrial/embedded, aerospace and defense, and cloud computing industries.



Specifications

Interface	SATA III
Flash Type	MLC
Capacity	8GB~128GB
Max. Channels	4
Sequential R/W (MB/sec, max.)	350 / 130
Max. Power Consumption	1.6W (5V x 310 mA)
Thermal Sensor	ST- Optional/ WT- Default
External DRAM Buffer	-
H/W Write Protect	-
Pin7 Power	-
ATA Security	√
S.M.A.R.T.	√
Dimension (WxLxH)	69.85 X 50.0 X 9.0 mm
Environment	Vibration: 20G @7~2000Hz Shock: 1500G @ 0.5ms Storage Temperature: -55°C ~ +95°C MTBF: 3 million hours

© 2016 Innodisk Corporation.
All right reserved. Specifications are subject to change without prior notice.

20161003

Ordering Information

Operation Temp.	8GB	16GB	32GB	64GB	128GB	256GB
Standard Grade (0°C ~ +70°C)	DEMLM-08GD09BC1SC	DEMLM-16GD09BC1SC	DEMLM-32GD09BC1DC	DEMLM-64GD08BC1QC	DEMLM-A28D08BC1QC	DEMLM-B56D08BC1QC
Industrial Grade (-40°C ~ 85°C)	DEMLM-08GD09BW1SC	DEMLM-16GD09BW1SC	DEMLM-32GD09BW1DC	DEMLM-64GD08BW1QC	DEMLM-A28D08BW1QC	DEMLM-B56D08BW1QC

innodisk

Contradata Milano S.r.l.

Via Solferino 12
20900 Monza (MB) - Italy

Tel: (+39) 039-230.14.92
Email: info@contradata.it

www.contradata.it