

Datasheet

2.5" SATA SSD

3MG2-P_AES series

- 2.5" SATA III solution for industrial field
- Hardware-based AES 256bits key
- iData Guard for abnormal power failure
- iCell technology for data protection (optional)
- Compliant with TCG OPAL 2.0
- Compliant with IEEE 1667
- 7mm height mechanical design
- iSMART disk health monitoring



Introduction

Innodisk 2.5" SATA SSD 3MG2-P is SATA III 6Gb/s flash based disk, which delivers excellent performance, especially in random data transfer rate, and which offers reliability making it the ideal solution for a variety of applications, including embedded system, industrial computing, and enterprise field. Innodisk 2.5" SATA SSD 3MG2-P is designed with AES engine, which is built-in the controller. When controller receives the data package from host, AES engine encrypts the data package and save the encrypted data into NAND flash. Thus, unauthorized personal has no access to decrypt the data in NAND flash. Innodisk 2.5" SATA SSD 3MG2-P supports several standard features, including TRIM, NCQ, and S.M.A.R.T and compliant with TCG OPAL 2.0 and IEEE 1667.

2.5" SATA SSD

3MG2-P series

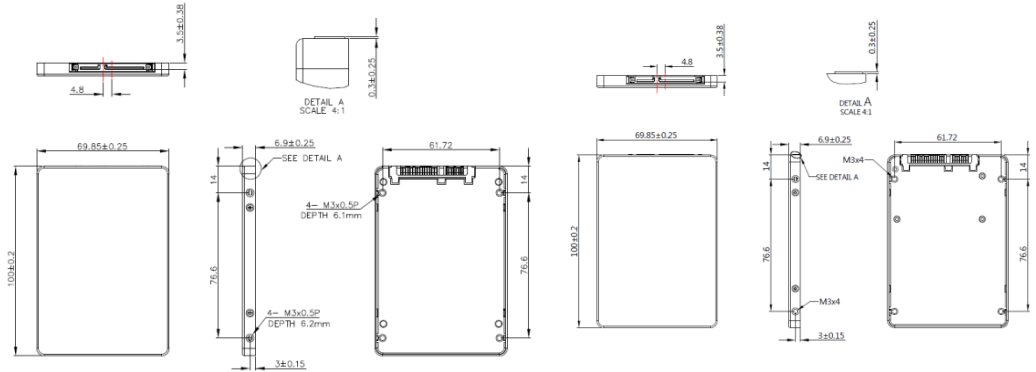
Contact us for more information about the 2.5" SATA SSD 3MG2-P

Innodisk is a service-driven provider of industrial embedded flash and DRAM storage products and technologies, with a focus on the industrial/embedded, aerospace and defense, and cloud computing industries.

Drawing

* DGS25-XXXD82BX1XC

* DGS25-XXXD82BX3XC



Specifications

Interface	SATA III
Flash Type	MLC
Capacity	8GB~2TB
Max. Channels	4
Sequential R/W (MB/sec, max.)*	520 / 360 MB/s
4KB Random (QD32) R/W (IOPS)	70,000/64,000
Max. Power Consumption	6 W (5V x 1.2A)
Thermal Sensor	√
External DRAM Buffer	√
H/W Write Protect	Optional
iCell	Optional
ATA Security	√
S.M.A.R.T.	√
DEVSLP Mode	√ (min. power consumption 3mW)
Slumber Mode	√ (min. power consumption 30mW)
Dimension (WxLxH)	69.85 X 100.0 X 6.9 mm (8GB-1TB) 69.85 X 100.0 X 9.5 mm (2TB)
Environment	Vibration: 20G @7~2000Hz Shock: 1500G @ 0.5ms Storage Temperature: -55°C ~ +95°C MTBF: 3 million hours
* Performance based on CystalDiskMark 3.03 with file size 1000MB	

© 2017 Innodisk Corporation. All right reserved. Specifications are subject to change without prior notice.

20180831

Ordering Information (Please refer to TPS for detail)

Operation Temp.	8GB	16GB	32GB	64GB	128GB	256GB	512GB	1TB	2TB
Standard Grade (0°C ~ +70°C)	DGS25-08GD82BC3SC	DGS25-16GD82BC3SC DGS25-16GD82BC1DC	DGS25-32GD82BC3DC DGS25-32GD82BC1QC	DGS25-64GD82BC3QC DGS25-64GD82BC1QC	DGS25-A28D82BC3QC DGS25-A28D82BC1QC	DGS25-B56D82BC3QC DGS25-B56D82BC1QC	DGS25-C12D82BC1QC	DGS25-01TD82BCAQC	DGS25-02TD82BCAQC
Industrial Grade (-40°C ~ +85°C)	DGS25-08GD82BW3SC	DGS25-16GD82BW3SC DGS25-16GD82BW1DC	DGS25-32GD82BW3DC DGS25-32GD82BW1QC	DGS25-64GD82BW3QC DGS25-64GD82BW1QC	DGS25-A28D82BW3QC DGS25-A28D82BW1QC	DGS25-B56D82BW3QC DGS25-B56D82BW1QC	DGS25-C12D82BW1QC	DGS25-01TD82BWAQC	DGS25-02TD82BWAQC

innodisk

Contradata Milano S.r.l.

Via Solferino 12
20900 Monza (MB) - Italy

Tel: (+39) 039-230.14.92
Email: info@contradata.it

www.contradata.it