

Datasheet

SATA Slim 3IE3 series

- SATA III solution for industrial field
- Innovative Firmware Algorithm
- DRAM-less, 100% data integrity
- Excellent random performance
- Wide Temperature: $-40^{\circ}\text{C} \sim 85^{\circ}\text{C}$
- Supports TRIM/NCQ/SMART
- Built in iData Guard
- iSMART disk health monitoring
- Compatible with JEDEC MO-297 standard



Introduction

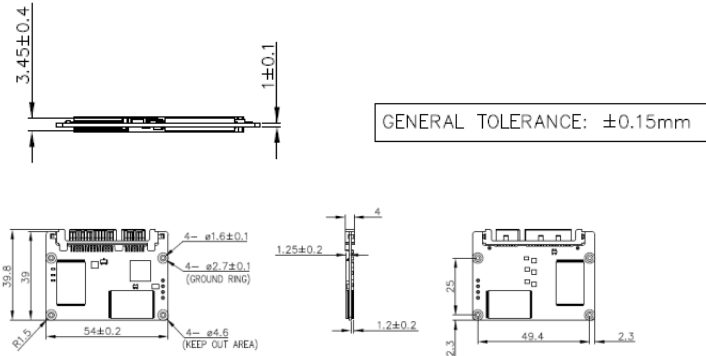
Innodisk SATA Slim 3IE3 is SATA III 6Gb/s Flash based disk, which designed with standard SATA interface (7+15 SATA connector), and compliant with JEDEC MO-297 standard. With its smaller dimension, SATA Slim 3IE3 is an alternative solution of 2.5" SSD for those embedded system that may have mechanical and space concerns. Innodisk SATA Slim 3IE3 operates under SATA III (6.0Gb/s) interface with excellent performance and reliability making it the ideal solution for a variety of applications, including embedded system, and industrial field.

SATA Slim 3IE3 series

Contact us for more information
about the SATA Slim 3IE3

Innodisk is a service-driven provider of industrial embedded flash and DRAM storage products and technologies, with a focus on the industrial/embedded, aerospace and defense, and cloud computing industries.

Drawing



Specifications

Headquarters (Taiwan)

5F., No.237, Sec. 1, Datong Rd.,
Xizhi Dist., New Taipei City 221,
Taiwan (R.O.C.)
Tel: +886-2-77033000
Email: sales@innodisk.com

Branch Offices:

USA
usasales@innodisk.com
+1-510-770-9421
Europe
eusales@innodisk.com
+31-040-282-1818
Japan
jpsales@innodisk.com
+81-3-6667-0161
China
sales_cn@innodisk.com
+86-755-21673689
www.innodisk.com

© 2016 Innodisk Corporation.
All right reserved. Specifications
are subject to change without
prior notice.

20160202

Interface	SATA III
Flash Type	iSLC
Capacity	8GB~128GB
Max. Channels	4
Sequential R/W (MB/sec, max.)	420 / 140
Max. Power Consumption	1.6W (5V x 310 mA)
Thermal Sensor	ST- Optional/ WT- Default
External DRAM Buffer	-
H/W Write Protect	-
Pin7 Power	-
ATA Security	√
S.M.A.R.T.	√
Dimension (WxLxH)	54.0 X 39.0 X 4.0 mm
Environment	Vibration: 20G @7~2000Hz Shock: 1500G @ 0.5ms Storage Temperature: -55°C ~ +95°C MTBF: 3 million hours

Ordering Information

Operation Temp.	8GB	16GB	32GB	64GB	128GB
Standard Grade (0°C ~ +70°C)	DHSLM-08GD08BC1SC	DHSLM-16GD08BC1DC	DHSLM-32GD08BC1QC	DHSLM-64GD08BC1QC	DHSLM-A28D08BC1QC
Industrial Grade (-40°C ~ 85°C)	DHSLM-08GD08BW1SC	DHSLM-16GD08BW1DC	DHSLM-32GD08BW1QC	DHSLM-64GD08BW1QC	DHSLM-A28D08BW1QC

innodisk

www.innodisk.com