

Datasheet

# 2.5" SATA SSD

## 3MR3-P series

- Compliant with MIL-STD-810-F/G
- Data security (QEraser/ SEraser/ Destroy/ Write Protect)
- High random R/W performance
- iSMART disk health monitoring
- Intelligent error recovery system
- iData Guard/iCell technology for data protection
- Conformal coating (optional)



### Introduction

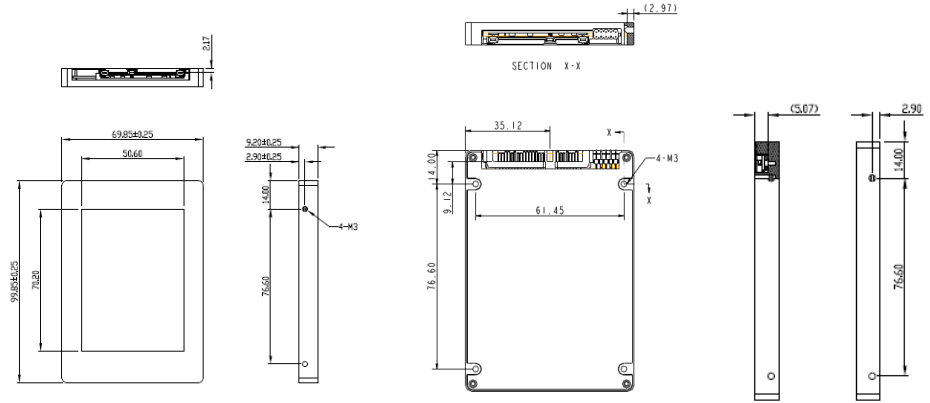
Innodisk 2.5" SATA SSD 3MR3-P is a SATA III 6.0Gb/s Flash based disk, which delivers excellent performance and reliability. Especially, it comes with several data security functions, including QEraser/ SEraser/ Destroy and also Write Protect. All the security functions can be triggered both by hardware and software approaches. The SSD is equipped ruggedized hardware design and thus it can perform well in the harsh environment. 2.5" SATA SSD 3MR3-P is developed with Innodisk owned technical knowhow to ensure the data integrity and highest levels of reliability.

# 2.5" SATA SSD

## 3MR3-P series

Contact us for more information about the 2.5" SATA SSD 3MR3-P

Innodisk is a service-driven provider of industrial embedded flash and DRAM storage products and technologies, with a focus on the industrial/embedded, aerospace and defense, and cloud computing industries.



## Specifications

Interface	SATA III
Flash Type	MLC
Capacity	64GB~512GB
Max. Channels	4
Sequential R/W (MB/sec, max.)	490 / 270
4KB Random (QD32) R/W (IOPS)	25,000/32,000
Max. Power Consumption	4.5 W (5V x 900mA )
Thermal Sensor	√
External DRAM Buffer	√
H/W Write Protect	√
ATA Security	√
S.M.A.R.T.	√
Dimension (WxLxH)	69.8 X 100.1 X 9.2 mm
Environment	Vibration: 20G @7~2000Hz Shock: 1500G @ 0.5ms Storage Temperature: -55°C ~ +95°C MTBF: 3 million hours
Note: Performance is based on CrystalDiskMark 3.03 with file size 1000MB	

© 2015 Innodisk Corporation.  
All right reserved. Specifications are subject to change without prior notice.

20160126

## Ordering Information

Operation Temp.	64GB	128GB	256GB	512GB
Standard Grade (0°C ~ +70°C)	DRS25-64GD70BCAQC	DRS25-A28D70BCAQC	DRS25-B56D70BCAQC	DRS25-C12D70BCAQC
Industrial Grade (-40°C ~ +85°C)	DRS25-64GD70BWAQC	DRS25-A28D70BWAQC	DRS25-B56D70BWAQC	DRS25-C12D70BWAQC

**innodisk**

Contradata Milano S.r.l.

Via Solferino 12  
20900 Monza (MB) - Italy

Tel: (+39) 039-230.14.92  
Email: info@contradata.it

[www.contradata.it](http://www.contradata.it)