

Datasheet

# 2.5" SATA SSD

## 3IE3 series

- 2.5" SATA III solution for industrial field
- 7mm height mechanical design
- iSMART disk health monitoring
- High IOPS to enhance boot up timing
- DRAM-less design, no data loss concern
- iData Guard Protection



### Introduction

Innodisk 2.5" SATA SSD 3IE3 is SATA III 6Gb/s Flash based disk with iSLC technology, which delivers excellent performance and reliability making it the ideal solution for a variety of applications, including embedded system, industrial computing, and enterprise field. 3IE3 2.5" SSD not only performs unmatched performance, but also designed with Innodisk owned technical knowhow to ensure the data integrity and highest levels of reliability.

# 2.5" SATA SSD

## 3IE3 series

### Drawing

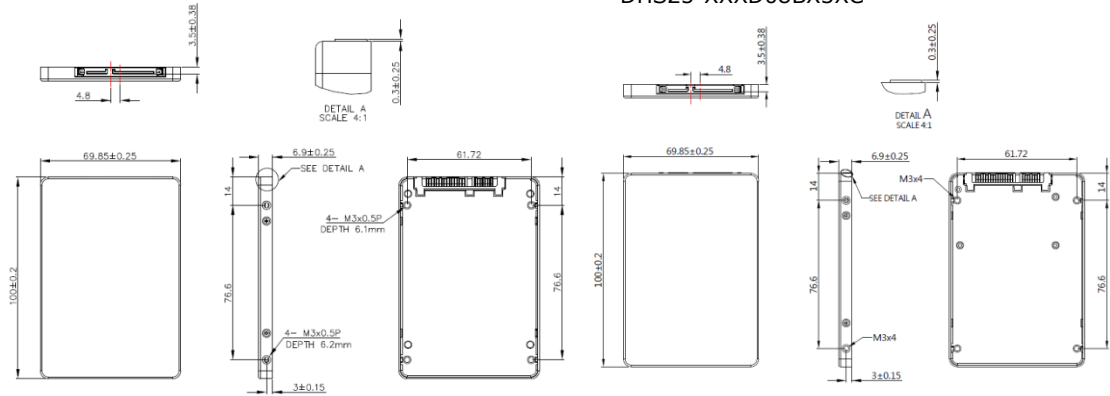
Contact us for more information about the 2.5" SATA SSD 3IE3

Innodisk is a service-driven provider of industrial embedded flash and DRAM storage products and technologies, with a focus on the industrial/embedded, aerospace and defense, and cloud computing industries.

\* DHS25-XXXD08BX1XC

\* DHS25-XXXD09BX1XC

\* DHS25-XXXD08BX3XC



## Specifications

|                               |   |
|-------------------------------|---|
| Interface                     | SATA III  |
| Flash Type                    | iSLC  |
| Flash P/E Cycle Limit         | 20,000  |
| Capacity                      | 8GB-256GB   |
| Max. Channels                 | 4   |
| Sequential R/W (MB/sec, max.) | 440/240   |
| Max. Power Consumption        | 2.71 W (5V x 542 mA )   |
| Thermal Sensor                | ST-Optional; WT-Supported   |
| External DRAM Buffer          | -   |
| H/W Write Protect             | -   |
| Pin7 Power                    | -   |
| ATA Security                  | Supported   |
| S.M.A.R.T.                    | Supported   |
| Dimension (WxLxH)             | 69.85 X 100.10 X 7.0 mm   |
| Environment                   | Vibration: 20G @7~2000Hz<br>Shock: 1500G @ 0.5ms<br>Storage Temperature: -55°C ~ +95°C<br>MTBF: 3 million hours |

© 2016 Innodisk Corporation.  
All right reserved. Specifications are subject to change without prior notice.

## Ordering Information

20160508

| Operation Temp.                     | 8GB               | 16GB              | 32GB              | 64GB              | 128GB             | 256GB             |
|-------------------------------------|-------------------|-------------------|-------------------|-------------------|-------------------|-------------------|
| Standard Grade<br>(0°C ~ +70°C)     | DHS25-08GD09BC1SC | DHS25-16GD09BC1DC | DHS25-32GD08BC3QC | DHS25-64GD08BC3QC | DHS25-A28D08BC3QC | DHS25-B56D08BC1QC |
|                                     | DHS25-08GD09BC1DC | DHS25-16GD08BC3QC |                   |                   |                   |                   |
| Industrial Grade<br>(-40°C ~ +85°C) | DHS25-08GD09BW1SC | DHS25-16GD09BW1DC | DHS25-32GD08BW3QC | DHS25-64GD08BW3QC | DHS25-A28D08BW3QC | DHS25-B56D08BW1QC |
|                                     | DHS25-08GD09BW1DC | DHS25-16GD08CW3QC |                   |                   |                   |                   |

**innodisk**

**Contradata Milano S.r.l.**

Via Solferino 12  
20900 Monza (MB) - Italy

Tel: (+39) 039-230.14.92  
Email: info@contradata.it

[www.contradata.it](http://www.contradata.it)