

Datasheet

ServerDOM-V

3IE series

- Bootable and compatible with all OS
- Better reliability and MTBF than HDD
- Small dimension for Blade or 1U servers
- Compatible with Intel® RSTe
- Cost effective storage solution
- Optional SATA Pin 7 VCC to enhance reliability and save space
- Customizable for IPMI
- Unexpected power loss protection



Introduction

Innodisk ServerDOM is dedicated to the further of server design. By using ServerDOM as a boot drive, there is more space for the hot-swappable data storage devices. Innodisk ServerDOM is designed with SATA III interface and complaint with server grade stranded, such as supporting for Intel® RSTe. Furthermore, with our excellent development team, we are able to provide customized services to fulfill different inquires; H/W design or software integration, such as IPMI.

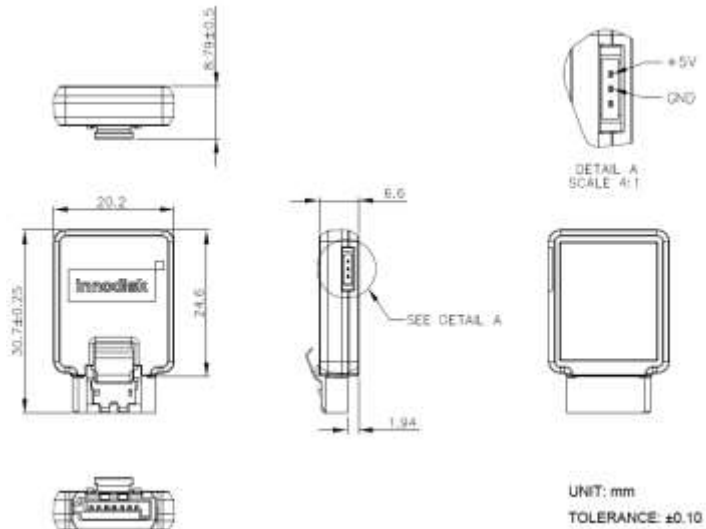
ServerDOM-V

3IE series

Drawing

Contact us for more information about the ServerDOM-V 3IE

Innodisk is a service-driven provider of industrial embedded flash and DRAM storage products and technologies, with a focus on the industrial/embedded, aerospace and defense, and cloud computing industries.



Specifications

Headquarters (Taiwan)

5F, No.237, Sec. 1, Datong Rd.,
Xizhi Dist., New Taipei City,
Taiwan (R.O.C.)
Tel: +886-2-77033000
Email: sales@innodisk.com

Branch Offices:

USA
usasales@innodisk.com
+1-510-770-9421
Europe
eusales@innodisk.com
+31-40-282-1818
Japan
jpsales@innodisk.com
+8145-594-7581
China
sales_cn@innodisk.com
+86-755-21673689

www.innodisk.com

© 2012 Innodisk Corporation.
All right reserved. Specifications
are subject to change without
prior notice.

20150407

Interface	SATA III 6Gb/s
Flash Type	iSLC
Capacity (GB)	8, 16, 32
Max. Channels	4
Sequential R/W (MB/sec, Max.)	480 / 270
Voltage	+5V ±10%
Max. Power Consumption	1.5 W
ATA Security	Supported
S.M.A.R.T.	Supported
Dimension	20.2 X 30.7 X 8.7 mm
Environmental Specifications	Standard operation: 0°C ~ +70°C Storage temp: -55°C to +85°C
Environment	Vibration: 20G @7~2000Hz Shock: 1500G @ 0.5ms Storage Temperature: -55°C ~ +95°C MTBF: 3 million hours
OS Support	Windows series, Linux

Ordering Information

Operation Temp.	8GB	16GB	32GB
Standard Grade (0°C ~ +70°C)	DHSNV - 08GD062CADY	DHSNV - 16GD062CAQY	DHSNV - 32GD062CAQY