

P1001

Intel® Atom™ E3845 Quad Core PC Module, 4x USB, 2x COM, 1x VGA and 1x DisplayPort



Key Features

- Onboard Intel® Atom™ E3845 Processor Quad Core, 1.91GHz
- 1x DDR3L SO-DIMM max. up to 8GB
- 1x 2.5" SATA HDD bay, 1x CFast Card and 1x SIM Card Socket
- 2x LAN, 4x USB, 2x COM, 1x VGA, 1x DisplayPort
- 4x Isolated DI, 4x Isolated DO
- Wide Range Power Input 9~48VDC
- 1x Mini-PCIe Expansion Socket
- Support Panel / Wall / VESA Mounting
- Convertible Display System (CDS) Supported
- Built-in Two 2W Internal Speakers

»» Overview

Powered by Intel® Atom™ E3845 Quad Core 1.91GHz, P1001 is the fanless PC module. It supports Convertible Display System (CDS) technology which allow to be used for configuring, upgrading and maintaining your Convertible Panel PC. P1001 offers extensive I/O including 4x USB, 2x RS232/422/485, 1x VGA, 1x DisplayPort and 4 DI/ 4DO. In addition, it supports GSM and WLAN via 2x GbE and 1x Mini-PCIe slot. Furthermore, P1001 supports 3 types of storage device including 2.5" SATA HDD, CFast and SIM card. The accessible design of these storage devices allows quick data access and easy maintenance. It supports wide range DC power input from 9~48 VDC. P1001 is an ideal solution for configuring your Convertible Panel PC. Furthermore, it is a great fanless computer for various industrial applications.

»» Specifications

Processor

- Onboard Intel® Atom™ Processor E3845 Quad Core, 1.91 GHz with AMI 64Mbit SPI BIOS.

Memory

- 1x 204-Pin SO-DIMM DDR3L 1066 / 1333MHz (un-buffered and non-ECC), max. up to 8GB

External I/O Interface

- 1x VGA
- 1x DisplayPort
- 1x USB 3.0
- 3x USB 2.0
- 2x DB9 for COM1~2 (Support RS232/422/485 with Auto Flow Control)
- 1x Line-out
- 1x Mic-in
- 1x Power Switch
- 1x Reset Button
- 1x AT/ATX Switch

Ethernet

- 2 x Intel® i210-AT GbE LAN Port, Support Wake-on-LAN and PXE

Storage

- 1x 2.5" SATA HDD Bay
- 1x External CFast Socket
- 1x External SIM Card Socket

Digital Input & Output

- 4x Digital Input (Source Type)
 - Input Voltage (Dry Contact):
 - Logic 0: Close to GND
 - Logic 1: Open
 - Input Voltage:
 - Logic 0: -3V(Min/ D1 to COM+)
- 4x Digital Output
 - Supply Voltage: 5~30 VDC
 - Sink Current: 580mA Max
 - DIO Max: 30V

Expansion

- 1x Full-size Mini PCIe Socket for Wi-Fi / GSM / Expansion Module

Watchdog Timer

- Software Programmable Supports 1~255 sec. System Reset

Power

- Support AT, ATX Mode
- 1x 3-pin Terminal Block Connector with Power Input 9~48VDC
- 1x Optional AC/DC 12V/5A, 60W Power Adapter

Environment

- Operating Temperature: Ambient with Air Flow: -25°C to 70°C (with Industrial Grade Peripherals)
- Storage Temperature: -30°C to 85°C
- Relative Humidity: 10%~95% (non-condensing)

Physical

- Dimension (WxDxH): 204.5 X 149 X 37.5 mm
- Weight: 1.34 kg
- Construction: Extruded Aluminum with Heavy Duty Metal
- Mounting: Panel / Wall / VESA Mounting

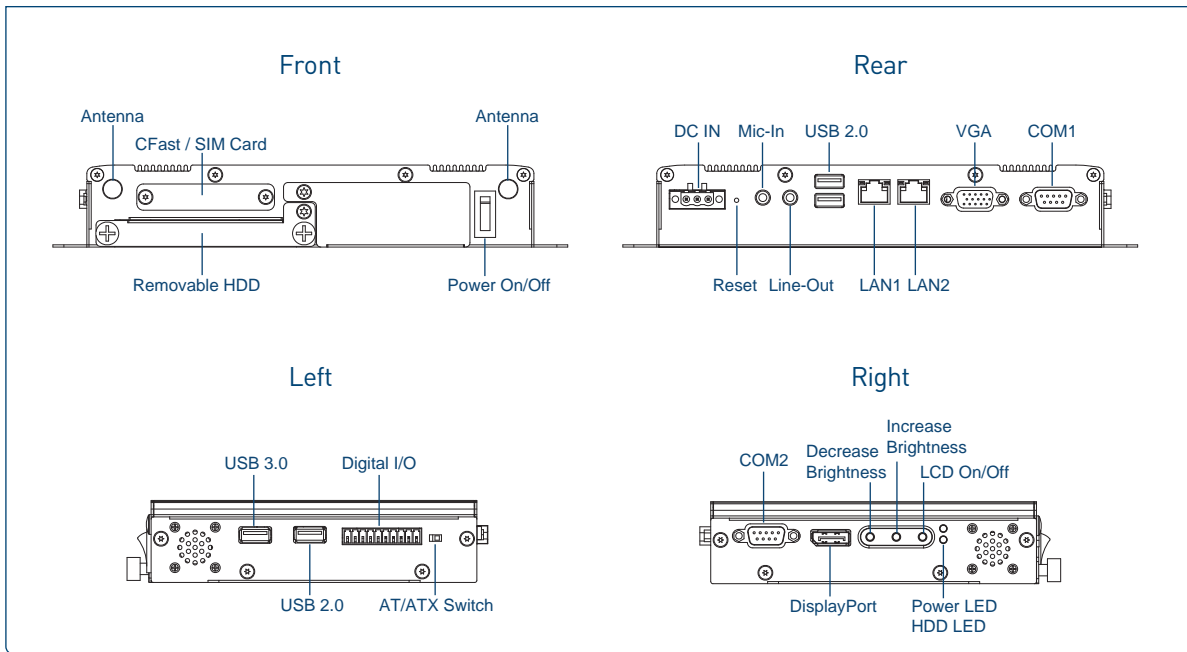
Operating System

- Windows® 10
- Windows® 8
- Windows® Embedded 8 Standard
- Windows® 7
- Windows® Embedded Standard 7
- Linux® Ubuntu 14.04

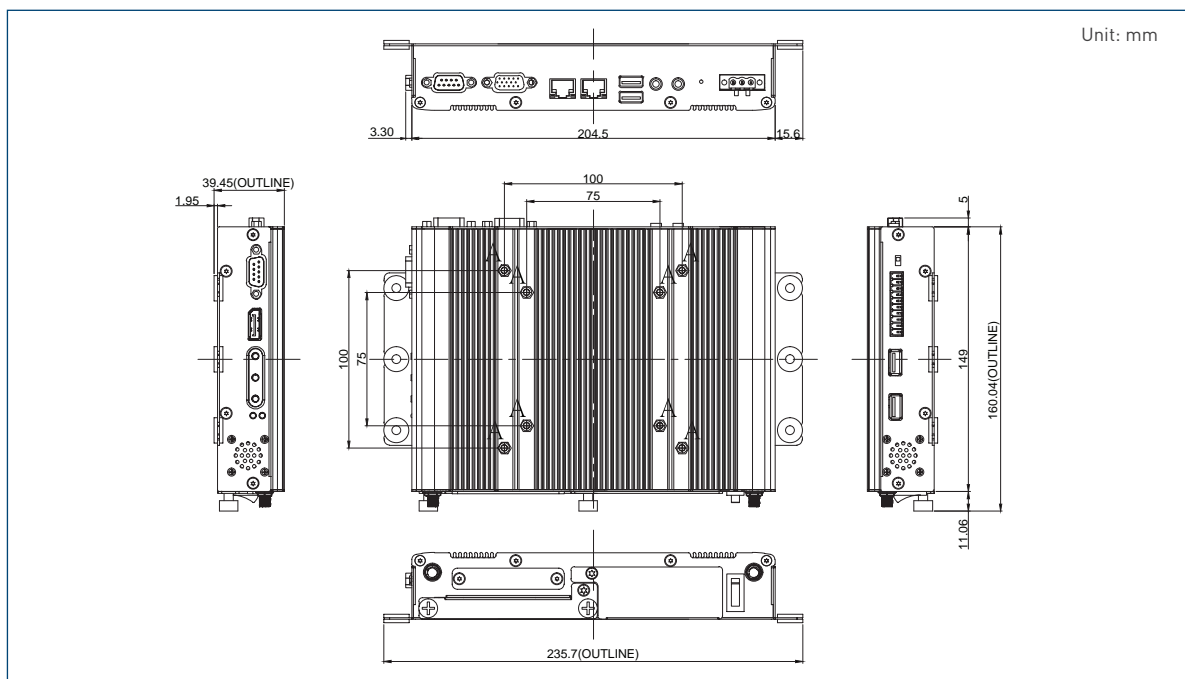
Certification

- CE
- FCC Class A

»» External I/O Mechanical Layout



»» Dimensions



»» Ordering Information

Available Models

Model No.	Product Description
P1001	Intel® Atom™ E3845 Quad Core PC Module , 4x USB, 2x COM, 1x VGA and 1x DisplayPort

Package Checklist

- P1001 PC Module x 1
- Utility DVD Driver x 1
- DIO Terminal Block Connector x 1
- Power Terminal Block Connector x 1
- Screw Pack x 1

Optional Accessories

Model No.	Description
GSM60A12-CIN	Adapter AC/DC 12V 5A 60W with 3pin Terminal Block Plug 5.0mm Pitch, GSM60A12-P1J
SL2-SL3	US 2 heads power cord, US B type to IEC C13, SVT 18AWG/3C Black 1.8M SL-2+SL-3
SL6-SL3	EU 2 heads power cord, EU G type to IEC C13, H05VV-F 0.75mm2/3G Black 1.8M SL-6+SL-3
QP026-SL3	UK 2 heads power cord, UK I type to IEC C13 ,H05VV-F 0.75mm2/3G Black 1.8M QP026+SL-3