

AFL3-W10A-BT

Intel® Celeron® J1900 (Quad Core, 2.0 GHz)

AFL3-12A-BT

Intel® Celeron® J1900 (Quad Core, 2.0 GHz)

AFL3-12C-ULT3

Intel® Core™ i5 and Celeron® ULT Processor

Preliminary



Features

- W10"~12.1" light industrial interactive panel PC
- Wide range DC input with lockable DC jack
- Selectable AT/ATX power mode
- Built-in speakers
- One mSATA slot
- IP64 compliant front panel
- IEI One Key Recovery solution allows you to create rapid OS backup and recovery (suggested with over 4GB storage capacity)



Specifications

| Model | | AFL3-W10A-BT | AFL3-12A-BT | AFL3-12C-ULT3 Preliminary |
|-----------------------|--|--|---|---|
| LCD | Size | 10.1" | 12.1" | 12.1" |
| | Resolution | 1280 x 800 (16:10) | 1024 x 768 (4:3) | 1024 x 768 (4:3) |
| | Brightness (cd/m ²) | 350 | 500 | 500 |
| | Contrast Ratio | 800:1 | 700:1 | 700:1 |
| | LCD Color | 16.2M | 16.2M | 16.2M |
| | Pixel Pitch (mm) | 0.1695 (H) x 0.1695 (V) | 0.240 (H) x 0.240 (V) | 0.240 (H) x 0.240 (V) |
| | Viewing Angle (H-V) | 170° / 170° | 160° / 160° | 160° / 160° |
| | Backlight MTBF(hrs) | 15000 hrs | 50000 hrs | 50000 hrs |
| Touch | Touch Screen | Projected capacitive type | 5-wire resistive touch window/ projected capacitive type | Projected capacitive type with USB interface (anti-UV) |
| | Touch Controller | EETI EXC3146 | PenMount DMC9000/ EETI EXC3146 | EETI EXC3180 |
| Motherboard | CPU | Intel® Celeron® J1900 (quad core, 2.0 GHz) | Intel® Celeron® J1900 (quad core, 2.0 GHz) | 6th Generation Intel® Core™ i5 and Celeron® on-board processor |
| | RAM | One 204-pin 2 GB 1333MHz single-channel, 2GB DDR3L SDRAM pre-installed (system max. 8GB) | One 204-pin 2 GB 1333MHz single-channel, 2GB DDR3L SDRAM pre-installed (system max. 8GB) | One 260-pin 2133MHz single-channel, 4GB DDR4L SDRAM pre-installed (system max. 8GB) |
| | Ethernet | 2 x PCIe GbE by RTL8111E controller | 2 x PCIe GbE by RTL8111E controller | 2 x PCIe GbE by Intel® i211 controller |
| | Audio Codec | ALC892 | ALC892 | ALC892 |
| Storage | mSATA | mSATA 2.5" SATA 3Gb/s HDD bay | 2.5" SATA 3Gb/s HDD bay M.2 M key PCIe (2230) mSATA slot (PCIe/mSATA/USB) | |
| I/O Ports & Switch | 1 x RS-232 COM port (RJ-45 connector) 1 x RS-232/422/485 COM port (DB-9 connector) (R1/5V/12V) 2 x USB 3.0 2 x USB 2.0 2 x RJ-45 for GbE LAN 1 x Power switch 1 x Audio port (line-out) 1 x Reset button 1 x AT/ATX switch 1 x 9-30V DC lockable power jack | 1 x RS-232 COM port (RJ-45 connector) 1 x RS-232/422/485 COM port (DB-9 connector) (R1/5V/12V) 2 x USB 3.0 2 x USB 2.0 2 x RJ-45 for GbE LAN 1 x Power switch 1 x Audio port (line-out) 1 x Reset button 1 x AT/ATX switch 1 x 9-30V DC lockable power jack | 1 x RS-232/422/485 (DB-9) 1 x RS232 (RJ-45) 2 x GbE LAN 2 x USB 2.0 2 x USB 3.0 1 x DC jack (12-30V DC) 1 x HDMI 1 x Power switch 1 x Reset button 1 x AT/ATX switch | |
| E-Window Expansion | N/A | Yes, optional | Yes, optional | |
| Audio | AMP 2W + 2W (internal speaker) | AMP 3W + 3W (internal speaker) | AMP 3W + 3W (internal speaker) | |
| Camera and Microphone | 2-megapixel with low light function, digital microphone | | | |
| Wireless | IEEE 802.11a/b/g/n/ac (PCIe Mini slot) | | IEEE 802.11 a/b/g/n/ac, Bluetooth V4.0, M.2 slot | |
| OSD Function | Software OSD | | | |
| Physical | Front Panel Construction | PC + ABS Plastic | | |
| | Mounting | Panel, Wall, Stand, Arm VESA 75mm x 75mm | Panel, Wall, Rack, Stand and Arm VESA 75mm x 75mm / 100mm x 100mm | Panel, Wall, Stand and Arm VESA 75mm x 75mm / VESA 100mm x 100mm |
| | Color | Black C | | |
| | Dimensions (WxHxD) (mm) | 262 x 181 x 42 | 304 x 243 x 44 | 304 x 243 x 58 |
| | Cut-out Dimensions (WxH) (mm) | 236 x 149 | 243 x 205 | 272 x 223 |
| | Net/Gross Weight (kgs) | 1.06/2.58 | 1.92/3.95 | 3/5.03 |
| Environment | Operating Temperature (Ambient with air flow) | -10°C~50°C | -20°C~50°C | -20°C ~ 50°C |
| | Storage Temperature | -20°C~60°C | -20°C~60°C | -30°C ~ 60°C |
| | Humidity | 10% to 95% (non-condensing) | | |
| | IP Level | IP 64 compliant front panel | | |
| | Safety&EMC | CE / FCC | | CE , FCC , ErP 2009/125/EC |
| Power | Thermal Solution | Fanless | | |
| | Power Requirement | 9 V ~ 30 V DC | | 12 V ~ 30 V DC |
| | Power Consumption | 12V@2.3A (Intel® J1900 CPU with 2GB 1333 MHz DDR3L memory) | 12V@3.58A (Intel® J1900 CPU with 2GB 1333 MHz DDR3L memory) | 12V@6A (Intel® Core™ i5-6300U CPU with 4GB DDR4 2133 MHz DDR4 memory) |

1 ODM Reference

2 IEI Mobile Solutions

3 Automation Panel Solutions

4 Healthcare Solution

5 Optional Peripherals

Ordering Information

| Part No. | Description |
|----------------------------|--|
| AFL3-W10A-BT-J1/PC/2G-R10 | 10.1" 350cd/m ² 1280 x 800 fanless panel PC with Intel® Celeron® J1900 quad core 2 GHz, 802.11a/b/g/n/ac, projected capacitive touch screen, 2GB DDR3L RAM, 2-megapixel camera, microphone, R10 |
| AFL3-12A-BT-J1/PC/2G-R12 | 12.1" 500 cd/m ² XGA fanless panel PC with Intel® Celeron® J1900 quad core 2 GHz, 802.11a/b/g/n/ac, projected capacitive touch screen, 2GB DDR3L RAM, 2-megapixel camera, microphone, R12 |
| AFL3-12A-BT-J1/R/2G-R12 | 12.1" 500 cd/m ² XGA fanless panel PC with Intel® Celeron® J1900 quad core 2 GHz, 802.11a/b/g/n/ac, resistive touch screen, 2GB DDR3L RAM, 2-megapixel camera, microphone, R12 |
| AFL3-12C-ULT3-C/PC/4G-R10 | 12.1" 500cd/m ² 1024 x 768 panel PC with 6th generation 14nm Intel® mobile Celeron® 3855U (15W) on-board processor (ULT), one 4GB DDR4 RAM, 802.11a/b/g/n/ac Wi-Fi module, PCAP touch, 2-megapixel camera, microphone, R10 |
| AFL3-12C-ULT3-i5/PC/4G-R10 | 12.1" 500 cd/m ² 1024 x 768 panel PC with 6th generation 14nm Intel® mobile Core™ i5-6300U (15W) on-board processor (ULT), one 4GB DDR4 RAM, 802.11a/b/g/n/ac Wi-Fi module, PCAP touch, 2-megapixel camera, microphone, R10 |



Options

| Item | AFL3-W10A-BT | AFL3-12A-BT | AFL3-12C-ULT3 |
|--|--|---|---|
| Panel Mounting Kit | | AFL3PK-08A-R10 | |
| Wall Mounting Kit | AFLWK-12 | AFLWK-19B | AFLWK-19B |
| Rack Mounting Kit | AFL3RK-W10A-R10 | AFL3RK-12A-R10 | AFL3RK-12A-R10 |
| Arm | | ARM-11-RS/ARM-31-RS | |
| Stand | STAND-C12-R10 | STAND-A12-RS/STAND-C12-R10/ STAND-100-RS | STAND-A12-RS/STAND-C12-R10/ STAND-100-RS |
| V-Stand | VSTAND-A10-R11 | VSTAND-A12-R11 | VSTAND-A12-R11 |
| Magnetic Card Reader | | AFL3P-W10MSR-U-R10 | |
| Barcode Scanner | | AFL3-2D-R11 | |
| RFID Reader **(13.56 MHz Mifare Type) for ATO assembly | AFL3-MF-RFID-KIT02-R10 | AFL3-MF-RFID-KIT02-R10** | AFL3-MF-RFID-KIT02-R10 |
| *OS: Win 7 Embedded (64-bit) | AFL3-W07A-BT-WES7P64-R11* (for PCAP touch) | AFL3-W07A-BT-WES7P64-R11* (for PCAP touch) AFL3-W07A-BT-WES7E64-R11* (for Resistive touch) | AFL3-W12C-ULT3-WES7P64-R10* (for PCAP touch) AFL3-W12C-ULT3-WES7E64-R10* (for Resistive touch) |
| *OS: Win 10 IOT Enterprise | AFL3-W07A-BT-W10E64-R10 | | AFL3-W12C-ULT3-W10E64-R10 |

**RFID is supported from AFL3-xxA-BT R11 version

*OS image with CD-ROM without storage



E-Window (for ATO assembly)

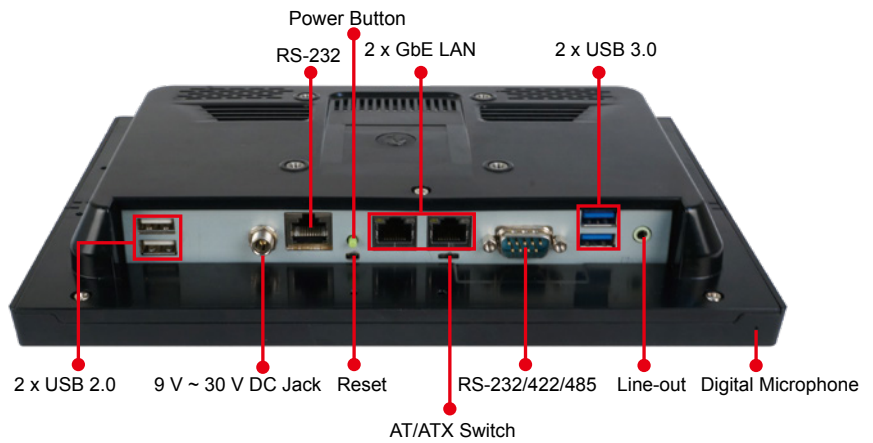
| Part No. | Description | Supported Model |
|------------------|---|--|
| E-MPCIE-LAN-R10 | PCIe Mini card supports 1-port GbE with Realtek RTL8111E controller, with PMS 194C I/O bracket and 250mm cable, R10 | AFL3-12A-BT-J1/PC/2G-R12 AFL3-12A-BT-J1/R/2G-R12 AFL3-12C-ULT3-C/PC/4G-R10 AFL3-12C-ULT3-i5/PC/4G-R10 |
| E-MPCIE-DLAN-R10 | PCIe Mini card supports 2-port GbE with Intel I211 controller, with PMS 194C I/O bracket and 250mm cable, R10 | |
| E-MPCIE-3G-R10 | PCIe Mini card supports 3G WWAN, with PMS 130C I/O bracket, 300mm RF antenna cable and GSM antenna cable, R10 | |

- 1 ODM Reference
- 2 IEIMobile Solutions
- 3 Automation Panel Solutions
- 4 Healthcare Solution
- 5 Optional Peripherals

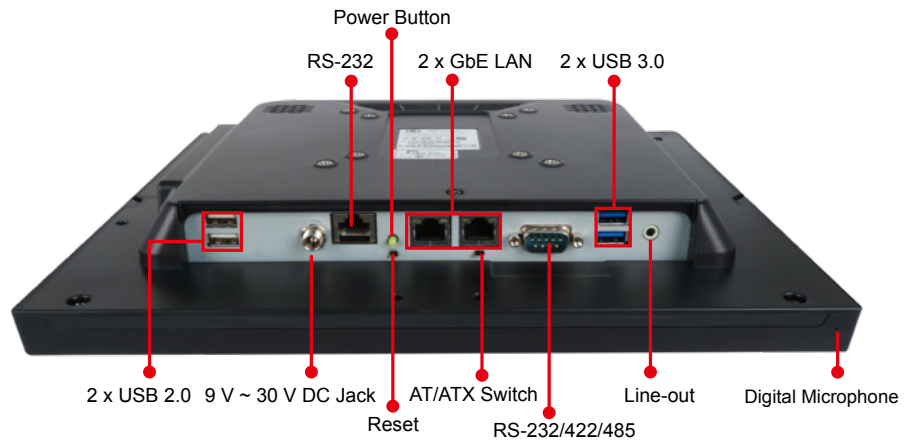
Packing List

| Item | Part No. | Q'ty | Description |
|---------------------------------------|---|------|---|
| One Key Recovery DVD | 7B000-001083-RS | 1 | |
| Round head machine screw | 44003-020041-RS (12A-BT) | 2 | M2*4 round head machine screw |
| Pan head machine screw | 44403-040061-RS | 4 | M4*6 pan head machine screw |
| Fix holder | 46003-009500-RS | 2 | |
| Power cord | 32702-000200-100-RS | 1 | |
| Power adapter | 63040-010036-121-RS (AFL3-W10A-BT) 63040-010060-120-RS (AFL3-12A-BT) | 1 | 36W; Vin: 90V~264V AC; Vout: 12VDC 60W; Vin: 90V~264V AC; Vout: 12VDC |
| Driver CD | | 1 | |
| RJ-45 to DB-9 COM port transfer cable | 32005-000200-200-RS | 1 | 300mm, 26AWG, (A) D-SUB 9 male, (B) RJ-45 |
| Touch pen | 43125-0002C0-00-RS | 1 | Resistive touch screen only |

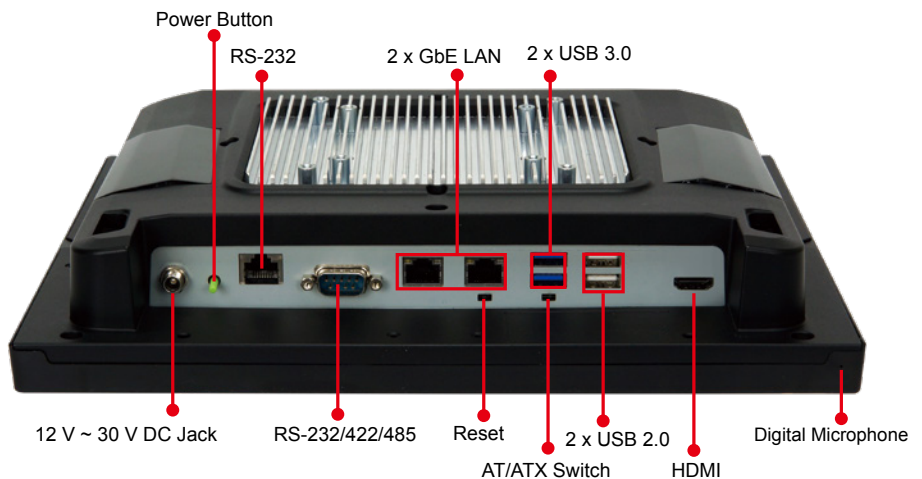
AFL3-W10A Fully Integrated I/O



AFL3-12A Fully Integrated I/O



AFL3-12C-ULT3 Fully Integrated I/O



1 ODM Reference

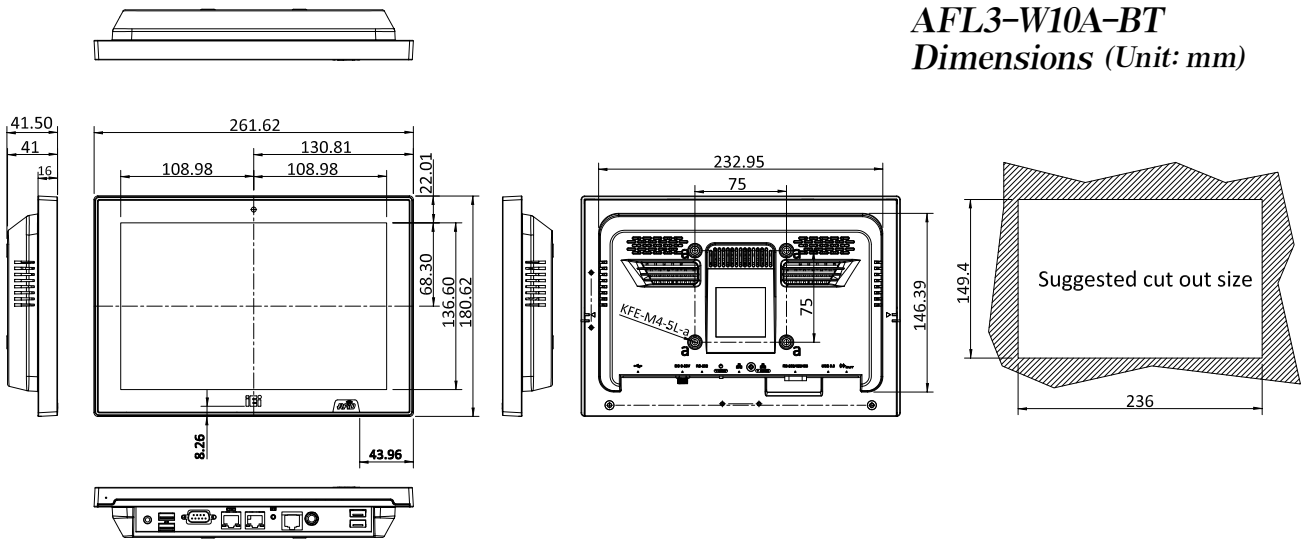
2 IEI/Mobile Solutions

3 Automation Panel Solutions

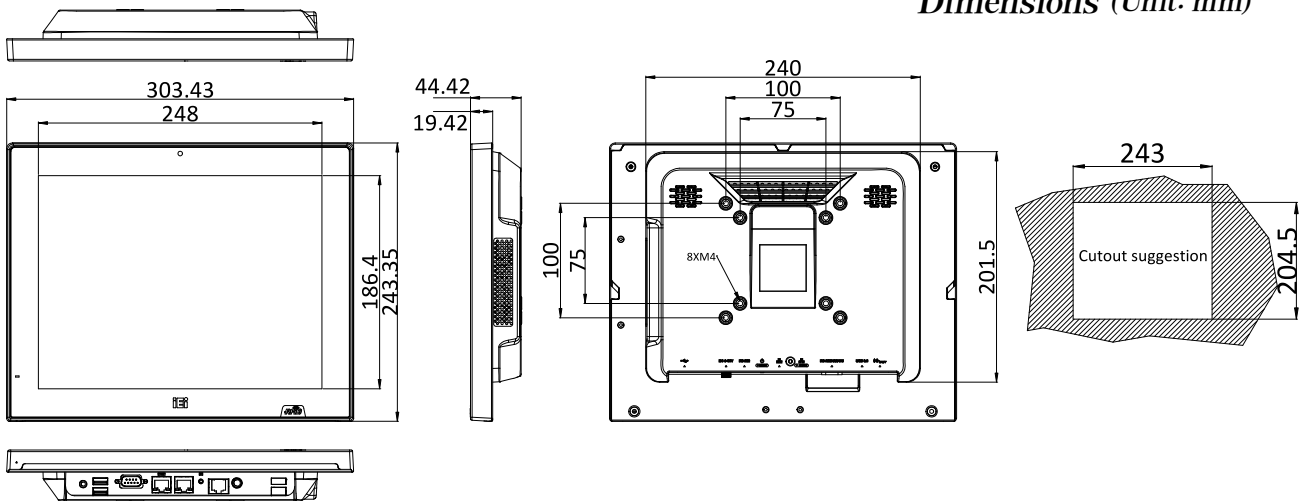
4 Healthcare Solution

5 Optional Peripherals

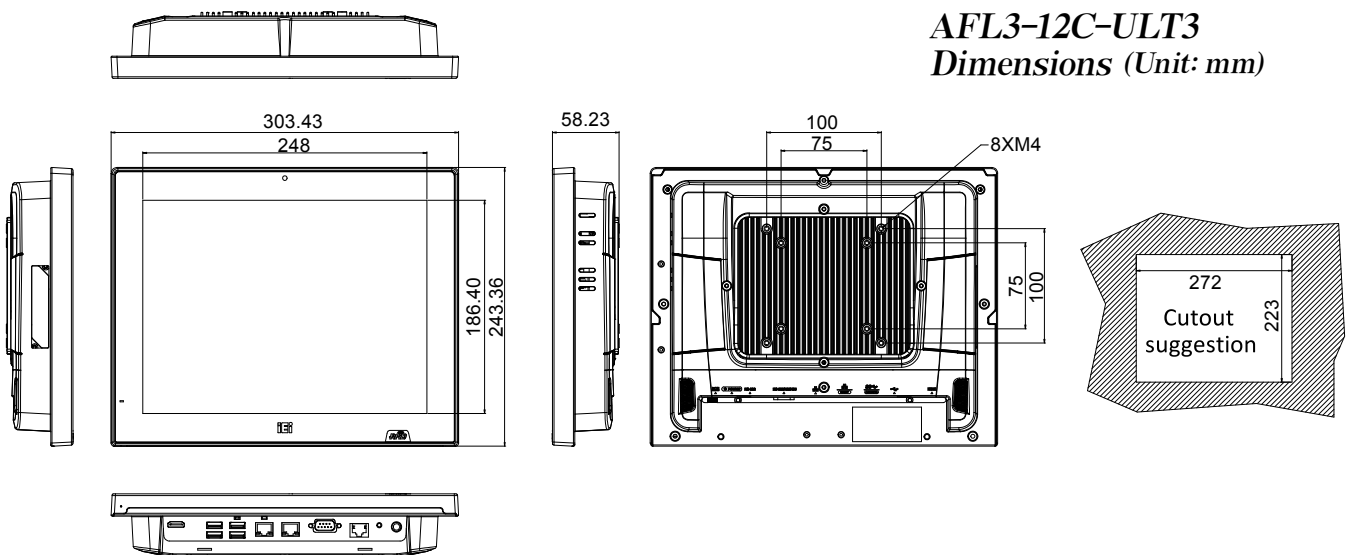
AFL3-W10A-BT
Dimensions (Unit: mm)



AFL3-12A-BT
Dimensions (Unit: mm)



AFL3-12C-ULT3
Dimensions (Unit: mm)



1
ODM
Reference

2
IEIMobile
Solutions

3
Automation
Panel
Solutions

4
Healthcare
Solution

5
Optional
Peripherals