

PPC-F H81 Series



Intelligent Industrial Panel PC

- Support IEI iRIS-2400 IEI remote intelligent solution
- Scalable Intel® H81 chipset supports LGA1150 Intel® 4th generation Core™ i7/i5/i3, Pentium® or Celeron® processor with up to 65W TDP
- Robust IP65 aluminum front bezel
- Aesthetic ultra-thin bezel for seamless panel mount installation
- Projected capacitive multi-touch
- Dual full-size PCIe Mini card expansion
- AC/DC power input options (DC model by build to order manufacturing)



Specifications

Model		PPC-F15A	PPC-F17A	PPC-F22A	PPC-F24A
LCD	LCD Display	15" (4:3)	17" (5:4)	21.5" (16:9)	23.8" (16:9)
	Max. Resolution	1024(W) x 768(H)	1280(W) x 1024(H)	1920(W) x 1080(H)	1920(W) x 1080(H)
	Brightness (cd/m²)	450	350	250	250
	Contrast Ratio	800 : 1	800 : 1	1000 : 1	3000 : 1
	LCD Color	16.2M	16.7M	16.7M	16.7M
	Pixel Pitch (mm)	0.297 x 0.297	0.26 x 0.26	0.25 x 0.25	0.28 x 0.28
	Viewing Angle (H-V)	160° / 150°	170° / 160°	170° / 160°	178° / 178°
	Backlight MTBF (hrs)	70000	50000	30000	30000
Motherboard	SBC Model	FPPCMB-H81-R10			
	CPU	LGA1150 Intel® 4th generation Core™ i7/i5/i3, Pentium® or Celeron® processor with up to 65W TDP			
	Chipset	Intel® H81			
	RAM	Support 2 x 204-pin 1066/1333/1600 MHz dual-channel DDR3 SO-DIMM slots (max. 16GB)			
Touch	Touchscreen & Controller	5-wire resistive type single touch window (Penmount 9000), 3H 2-point projected capacitive touch window (EETI EXC7200), 6H		2-point projected capacitive touch window (EETI EXC7200), 6H	2-point projected capacitive touch window (EETI EXC7200), 6H
		Input Interfaces	I/O Ports & Switch	2 x RJ-45 LAN Port	1 x VGA output
2 x USB 3.0	1 x AC/DC power plug (DC model is by build to order manufacturing)				
Expansion	Expansion	4 x USB 2.0	1 x AT/ATX switch		
		1 x HDMI output	1 x Clear CMOS		
Expansion	Expansion	4 x RS-232	1 x Reset button		
		1 x RS-422/485	1 x Power switch		
Expansion	Expansion	1 x MIC-in			
		1 x Line-out			
Wireless LAN		802.11 b/g/n (optional)			
Storage	Storage	1 x 2.5" HDD/SSD drive bay 1 x mSATA		1 x 2.5" HDD/SSD drive bay or 1 x 3.5" HDD/SSD drive bay 1 x mSATA	
		iRIS Remote Management Solution iRIS-2400 (optional)			
Physical	Construction Material	Aluminum front cover and sheet metal rear cover			
	Mounting	Panel mount, rack mount, 100x100 VESA mount		Panel mount, 100x100 VESA mount	
	Enclosure Color	Black C			
	Dimensions (mm)	303 x 378.5 x 65.7	341.4 x 408.4 x 73.8	350.4 x 550.4 x 71.7	382 x 600 x 71.7
	Cutout Dimensions (mm)	285.6 x 361.1	323 x 390	341 x 536	359.6 x 577.6
	Net/ Gross Weight (kg)	5.6/ 8.3	7.5/10.7	10.1/14.4	10.5/14.8
Environment	Operating Temperature (with air flow)	-10°C ~ 50°C			
	Storage Temperature	-20°C ~ 60°C			
	Humidity	10% to 95% (non-condensing)			
	IP Level	Front IP 65			
	Safety and EMC	CE & FCC certified			
Power Supply	AC Input	AC input ATX power supply - P/N: 63030-010220-100-RS - 220W power supply - Input: 90VAC-264VAC, 50/60Hz - Output (max.): 3.3V@10A, 5V@14A, 12V@14A, -12V@0.3A			
	DC Input (produced by order)	DC input ATX power supply - P/N: XACE-4520C-RS - 200W power supply - Input: 24VDC, 15A (max) - Output (max.): 3.3V@12A, 5V@12A, 12V@15.4A, -12V@0.5A			
Power Consumption	80W	100W	110W	120W	

1 ODM Reference

2 IEI Mobile Solutions

3 Automation Panel Solutions

4 Healthcare Solution

5 Optional Peripherals

Ordering Information

Part Number	Description
15"	PPC-F15AA-H81i-P/4G/R-R21 15" 450 cd/m ² XGA Panel PC with Intel® H81 chipset, Intel® Pentium® Processor G3220 (3M Cache, 3.00 GHz), TDP 53W, 2GB RAM*2, support iRIS-2400, black color, 90VAC-264VAC, resistive touch window, R21
	PPC-F15AA-H81i-i3/4G/R-R21 15" 450 cd/m ² XGA Panel PC with Intel® H81 chipset, Core i3 Dual Core i3-4330 Processor (4M Cache, 3.50 GHz), TDP 54W, 2GB RAM*2, support iRIS-2400, black color, 90VAC-264VAC, resistive touch window, R21
	PPC-F15AA-H81i-i5/4G/R-R21 15" 450 cd/m ² XGA Panel PC with Intel® H81 chipset, Core i5 Quad Core i5-4570S Processor (6M Cache, up to 3.60 GHz), TDP 65W, 2GB RAM*2, support iRIS-2400, black color, 90VAC-264VAC, resistive touch window, R21
	PPC-F15AA-H81i-P/4G/PC-R21 15" 450 cd/m ² XGA Panel PC with Intel® H81 chipset, Intel® Pentium® Processor G3220 (3M Cache, 3.00 GHz), TDP 53W, 2GB RAM*2, support iRIS-2400, black color, 90VAC-264VAC, projective capacitive touch window, R21
	PPC-F15AA-H81i-i3/4G/PC-R21 15" 450 cd/m ² XGA Panel PC with Intel® H81 chipset, Core i3 Dual Core i3-4330 Processor (4M Cache, 3.50 GHz), TDP 54W, 2GB RAM*2, support iRIS-2400, black color, 90VAC-264VAC, projective capacitive touch window, R21
	PPC-F15AA-H81i-i5/4G/PC-R21 15" 450 cd/m ² XGA Panel PC with Intel® H81 chipset, Core i5 Quad Core i5-4570S Processor (6M Cache, up to 3.60 GHz), TDP 65W, 2GB RAM*2, support iRIS-2400, black color, 90VAC-264VAC, projective capacitive touch window, R21
17"	PPC-F17AA-H81i-P/4G/R-R11 17" 350 cd/m ² SXGA Panel PC with Intel® H81 chipset, Intel® Pentium® Processor G3220 (3M Cache, 3.00 GHz), TDP 53W, 2GB RAM*2, support iRIS-2400, black color, 90VAC-264VAC, resistive touch window, R11
	PPC-F17AA-H81i-i3/4G/R-R11 17" 350 cd/m ² SXGA Panel PC with Intel® H81 chipset, Core i3 Dual Core i3-4330 Processor (4M Cache, 3.50 GHz), TDP 54W, 2GB RAM*2, support iRIS-2400, black color, 90VAC-264VAC, resistive touch window, R11
	PPC-F17AA-H81i-i5/4G/R-R11 17" 350 cd/m ² SXGA Panel PC with Intel® H81 chipset, Core i5 Quad Core i5-4570S Processor (6M Cache, up to 3.60 GHz), TDP 65W, 2GB RAM*2, support iRIS-2400, black color, 90VAC-264VAC, resistive touch window, R11
	PPC-F17AA-H81i-P/4G/PC-R12 17" 350 cd/m ² SXGA Panel PC with Intel® H81 chipset, Intel® Pentium® Processor G3220 (3M Cache, 3.00 GHz), TDP 53W, 2GB RAM*2, support iRIS-2400, black color, 90VAC-264VAC, projective capacitive touch window, R12
	PPC-F17AA-H81i-i3/4G/PC-R12 17" 350 cd/m ² SXGA Panel PC with Intel® H81 chipset, Core i3 Dual Core i3-4330 Processor (4M Cache, 3.50 GHz), TDP 54W, 2GB RAM*2, support iRIS-2400, black color, 90VAC-264VAC, projective capacitive touch window, R12
	PPC-F17AA-H81i-i5/4G/PC-R12 17" 350 cd/m ² SXGA Panel PC with Intel® H81 chipset, Core i5 Quad Core i5-4570S Processor (6M Cache, up to 3.60 GHz), TDP 65W, 2GB RAM*2, support iRIS-2400, black color, 90VAC-264VAC, projective capacitive touch window, R12
21.5"	PPC-F22AA-H81i-P/4G/PC-R12 21.5" 250 cd/m ² FHD Panel PC with Intel H81 chipset, Intel® Pentium® Processor G3220 (3M Cache, 3.00 GHz), TDP 53W, 2GB RAM*2, support iRIS-2400, black color, 90VAC-264VAC, projective capacitive touch window, R12
	PPC-F22AA-H81i-i3/4G/PC-R12 21.5" 250 cd/m ² FHD Panel PC with Intel H81 chipset, Core i3 Dual Core i3-4330 Processor (4M Cache, 3.50 GHz), TDP 54W, 2GB RAM*2, support iRIS-2400, black color, 90VAC-264VAC, projective capacitive touch window, R12
	PPC-F22AA-H81i-i5/4G/PC-R12 21.5" 250 cd/m ² FHD Panel PC with Intel H81 chipset, Core i5 Quad Core i5-4570S Processor (6M Cache, up to 3.60 GHz), TDP 65W, 2GB RAM*2, support iRIS-2400, black color, 90VAC-264VAC, projective capacitive touch window, R12
24"	PPC-F24AA-H81i-P/4G/PC-R20 23.8" 250 cd/m ² FHD Panel PC with Intel H81 chipset, Intel® Pentium® Processor G3220 (3M Cache, 3.00 GHz), TDP 53W, 2GB RAM*2, support iRIS-2400, black color, 90VAC-264VAC, projective capacitive touch window, R20
	PPC-F24AA-H81i-i3/4G/PC-R20 23.8" 250 cd/m ² FHD Panel PC with Intel H81 chipset, Core i3 Dual Core i3-4330 Processor (4M Cache, 3.50 GHz), TDP 54W, 2GB RAM*2, support iRIS-2400, black color, 90VAC-264VAC, projective capacitive touch window, R20
	PPC-F24AA-H81i-i5/4G/PC-R20 23.8" 250 cd/m ² FHD Panel PC with Intel H81 chipset, Core i5 Quad Core i5-4570S Processor (6M Cache, up to 3.60 GHz), TDP 65W, 2GB RAM*2, support iRIS-2400, black color, 90VAC-264VAC, projective capacitive touch window, R20

* DC power supply SKU is available with particular purchase, please contact sales team.

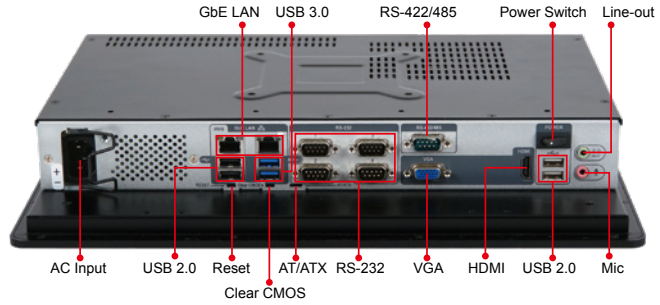
Options

Item	PPC-F15A	PPC-F17A	PPC-F22A	PPC-F24A
Arm	ARM-31-RS	ARM-31-RS	ARM-31-RS	ARM-31-RS
Stand	STAND-A21 STAND-A19-RS STAND-C19-R10	STAND-C19-R10 STAND-A21-R10	STAND-C19-R10 STAND-A21-R10	STAND-C19-R10 STAND-A21-R10
Wall Mount Kit	WK-190MS-R10			
Panel Mount Kit	FPK-04-R10		FPK-05-R10	FPK-06-R10
Rack Mount Kit	FRK15-R10	FRK17-R10	N/A	
Wi-Fi Kit	EMB-WIFI-KIT11-R20			
iRIS (IEI Remote Intelligent System) Kit	iRIS-2400-R10			

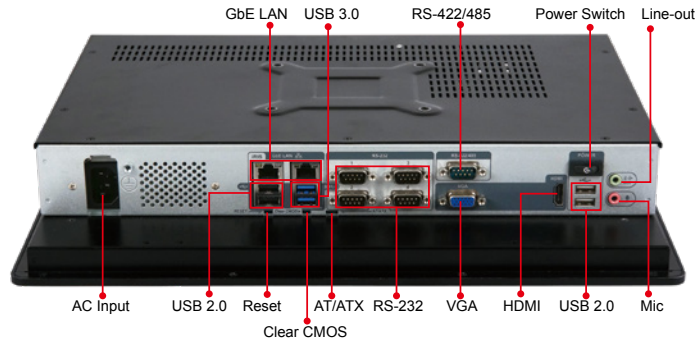
Packing List

Item	Q'ty	Remark
Driver CD	1	
One Key Recovery CD	1	
Power Cord	1	Depends on shipping region
Screw Kit	1	
Touch Pen	1	Resistive touch only

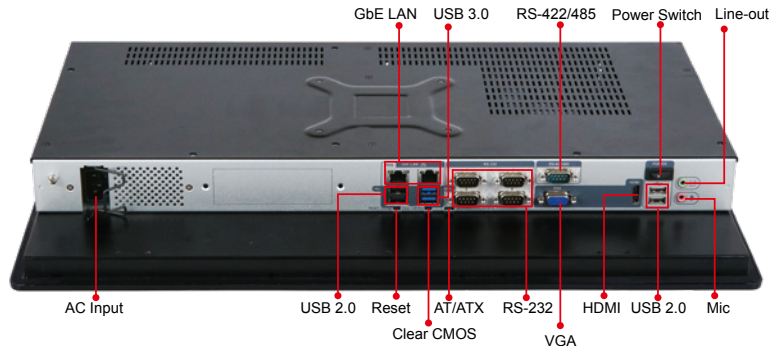
PPC-F15A
Fully Integrated I/O



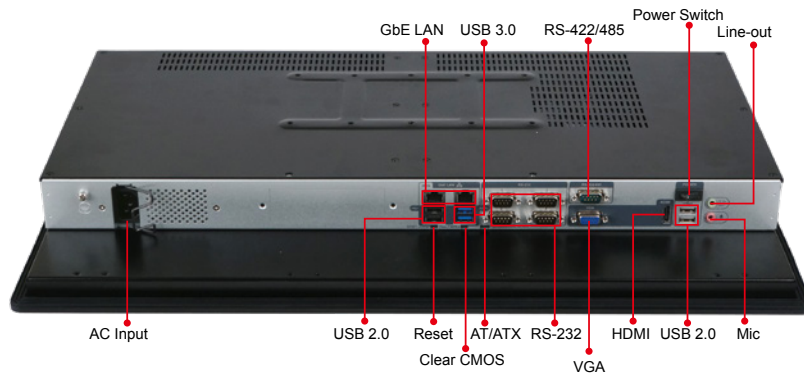
PPC-F17A
Fully Integrated I/O



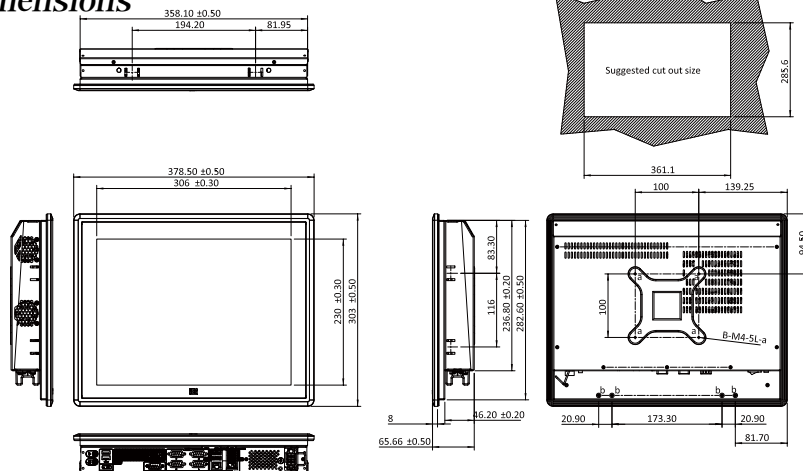
PPC-F22A
Fully Integrated I/O



PPC-F24A
Fully Integrated I/O



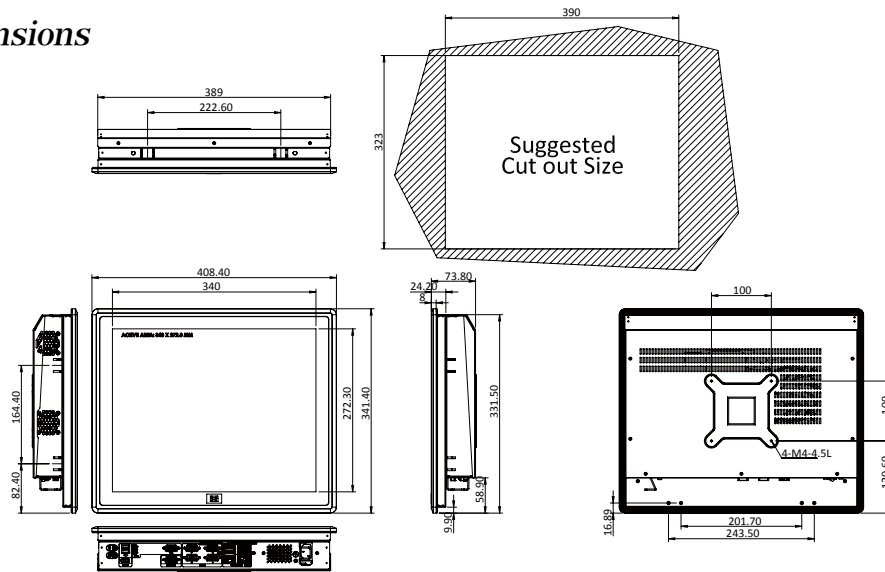
PPC-F15A Dimensions
(Unit: mm)



- 1 ODM Reference
- 2 IEI Mobile Solutions
- 3 Automation Panel Solutions
- 4 Healthcare Solution
- 5 Optional Peripherals

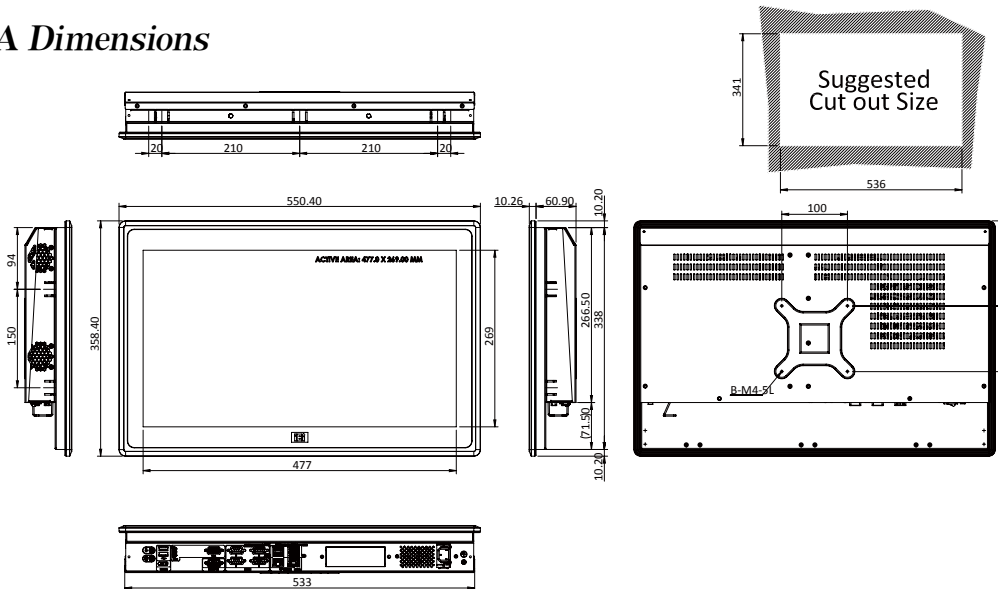
PPC-F17A Dimensions

(Unit: mm)



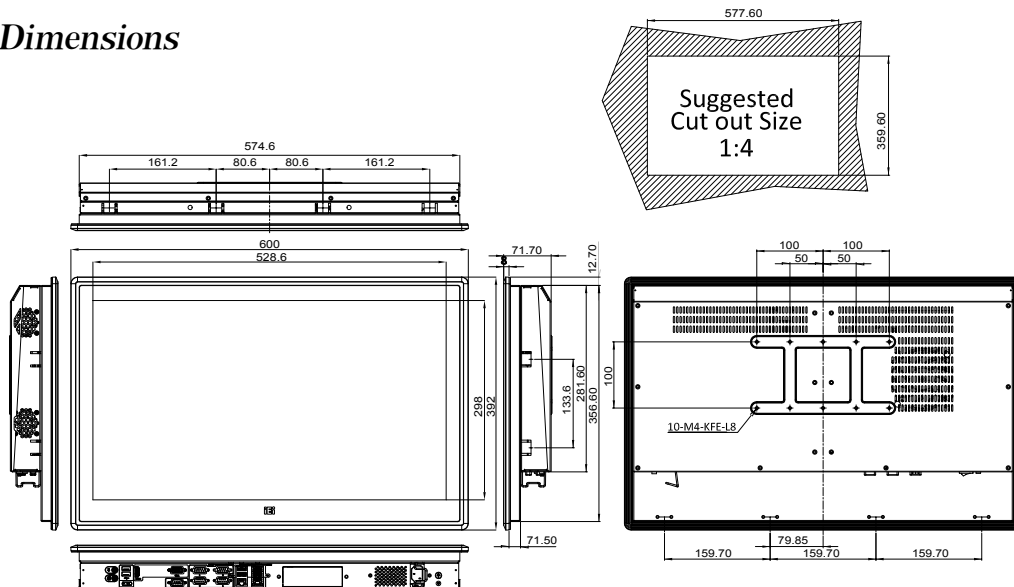
PPC-F22A Dimensions

(Unit: mm)



PPC-F24A Dimensions

(Unit: mm)



1
ODM
Reference

2
IEIMobile
Solutions

3
Automation
Panel
Solutions

4
Healthcare
Solution

5
Optional
Peripherals